

EAE
LIGHTING



**ARCHITECTURAL
SOLUTIONS**

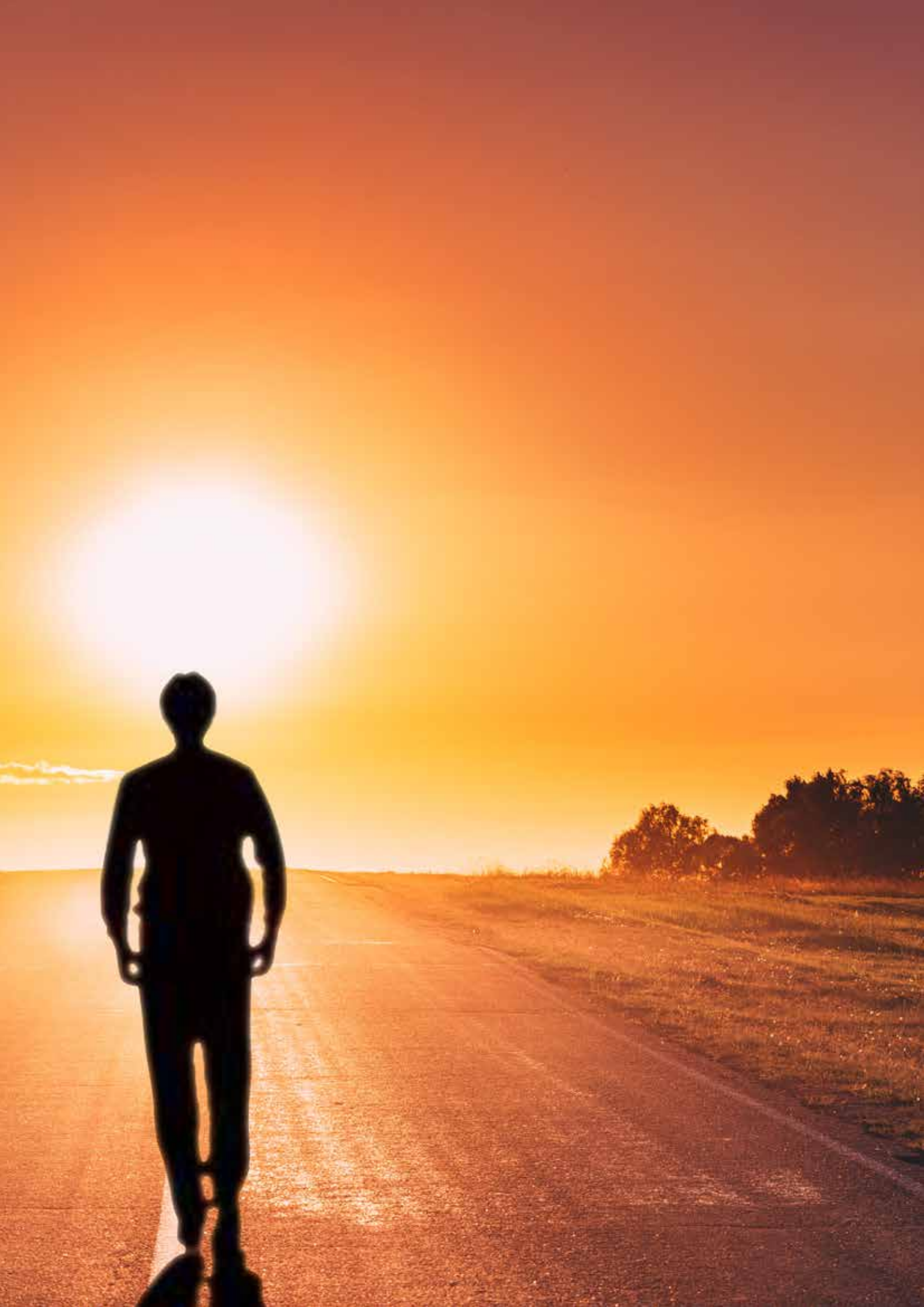
EAE has the right to make any appropriate changes it deems necessary without prior notice.
Please Contact to obtain more information on the products and details included in the catalog.

Technical specifications have a tolerance of $\pm 5\%$.

Please visit our website in the following address for the latest information.
www.eaeaydinlatma.com

A photograph of a sunset over a field. The sun is low on the horizon, creating a warm, golden glow across the sky and the landscape. A road curves through the field, leading towards the horizon. The text "WE FOLLOW THE SUN..." is overlaid in white, bold, sans-serif font.

WE FOLLOW THE SUN...



I N D E X

SPOT LUMINAIRES

SEMI RECESSED MOUNTED LUMINAIRES

SURFACE MOUNTED PENDANT LIGHTS LUMINAIRES

TRACK SPOT LUMINAIRES



•DOWNLED V.2 Recessed Mounted



•BELLA Surface Mounted



•LORY FLAT IP65 YV Recessed Mounted



•S-NAIL



•VENO V.2 Semi Recessed Mounted



•ATLANTIS Maxi



•GIZA V.2 Track



•DOWNLED IP65 Surface Mounted



•ORI SMALL



•LORY IP65



•VENO Surface Mounted



•BRICK Semi Recessed Mounted



•ATLANTIS Midi



•GIZA L4 Track Horizontal



•GIZA V.2 Recessed Mounted



•ORI-Y MINI



•S-NAIL



•LEDBAR SLIM



•GIZA Semi Recessed Mounted



•VENO Pendant



•GIZA L4 Track Vertical



•GIZA V.2 Surface Mounted



•ORI-K MINI



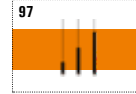
•MATRIS V.2



•ORION ELP Round



•GIZA SLIM Semi Recessed Mounted



•LILI



•STORM Track Spot



•GIZA Slim Surface Mounted



•ORI



•KRIZA Mini



•SATURN V.4



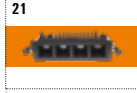
•STORM Semi Recessed Mounted



•YODA



•GIZA SLIM Track Spot



•GIZA L4 Recessed Mounted



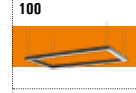
•BISTA K Mini Adjustable



•KRIZA V.2



•GIZA L4 Semi Recessed Mounted Vertical



•STL Frame



•OCTO V.2 Track Spot



•GIZA L4 Surface Mounted Horizontal



•BISTA Y Mini Adjustable



•PLANO 1X



•GIZA L4 Semi Recessed Mounted Horizontal



•FRAME



•PICA V.2 Track Spot



•GIZA L4 Surface Mounted Vertical



•PIXA YV



•PLANO 2X



•GIZA L4 Semi Recessed Mounted Horizontal



•RIONA



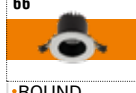
•TACO MINI Track Spot



•STORM Surface Mounted



•PIXA KR



•ROUND



•NETA Surface Mounted



•NETA Surface Mounted



•TACO MIDI Track Spot



•ESP-BRICK Surface Mounted



•SQUARE



•BISTA-Y V.2 Adjustable



•NETA Recessed Mounted



•NETA Recessed Mounted



•TACO MAXI Track Spot



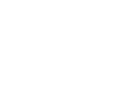
•ESP-BRICK Recessed Mounted



•BLADE



•BISTA-K V.2 Adjustable



•NETA Recessed Mounted



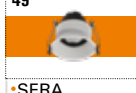
•NETA Recessed Mounted



•OXI Track Spot



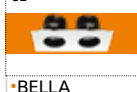
•BRICK V.2 Surface Mounted



•SERA Adjustable



•BISTA-Y V.2 SBT



•BELLA Recessed Mounted



•LORY FLAT IP65 KR Recessed Mounted



•BISTA-K V.2 SBT

CELL CEILING LUMINAIRES



•LORY CELL



•GIZA CELL



•MIDDY CELL

WALL MOUNTED LUMINAIRES



•VENO
Wall Mounted



•VENO
Double Side Wall Mounted



•APLIKLED



•GIZA WALL MOUNTED V.2
Asymmetrical



•GIZA V.2
Wall Mounted

OFFICE LUMINAIRES



•BLOOM



•BLOOM KM
UGR < 19



•BLOOM
Surface Mounted



•BLOOM
Slim



•BLOOM
IP65

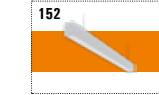


•ARIS
UVC

LINEAR TRUNKING LUMINAIRES



•STL
Surface Mounted / Pendant



•STL
Direct / Indirect



•STL
Recessed Mounted



•TORNADO
Etanj

LANDSCAPING LUMINAIRES



•HORUS-1



•HORUS-2



•OSIRIS



•D-BAR



•ELECTRA V.2
3W



•ELECTRA V.2
11W



•ELECTRA
Mono



•ELECTRA
Dual



•WATO
Surface Mounted



•WATO
Recessed Mounted



•WATO XL



•ELECTRA
Grass Spot



•CAPELLA
Bolard



•CAPELLA
Column



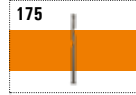
•TOWER
Bolard



•TOWER
Column



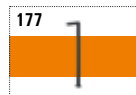
•CARMELO
Bolard



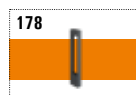
•CARMELO
Column



•CITY
Bolard



•CITY
Column



•BRIDGE
Bolard



•BRIDGE
Column

EMERGENCY LIGHTING LUMINAIRES



•MINOLITE
STD



•MINOLITE
Pendant



•MINOLITE
Recessed Mounted



•ELOTTI
Maxi



•ELOTTI
Slim



•TORSECA



•PLEK
Surface Mounted



•PLEK
Pendant



•WALD



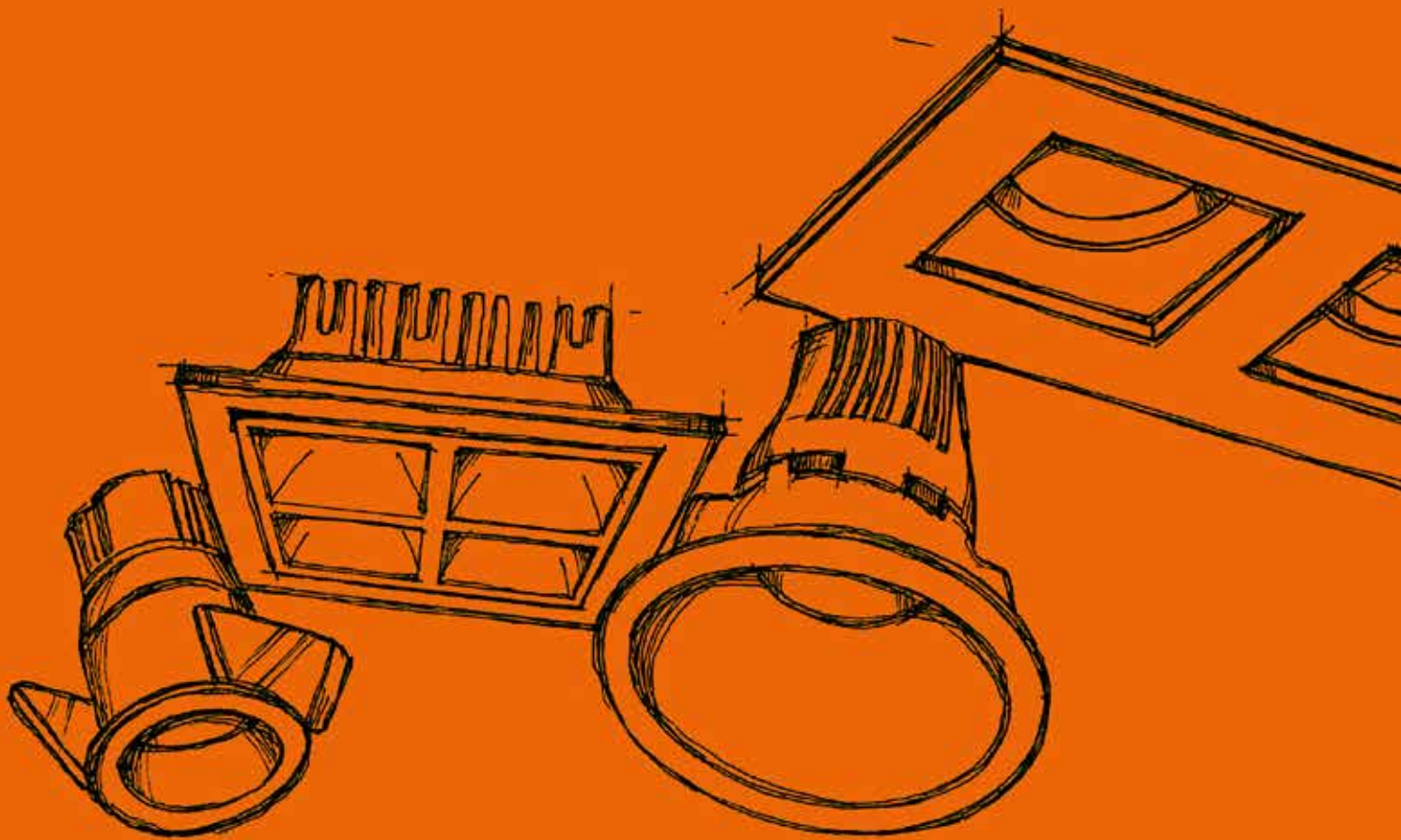
•STOLE
YV

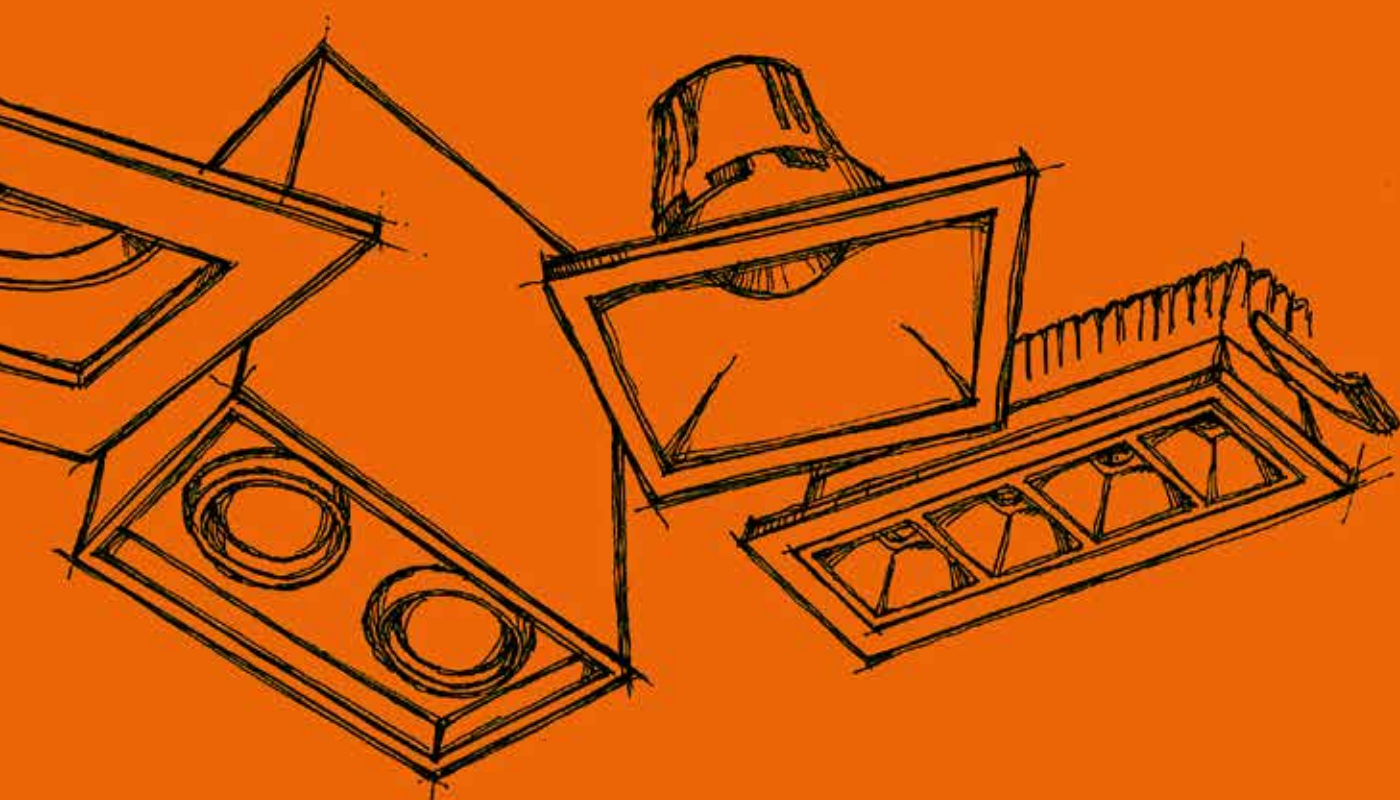


•ARIOSTE
Emergency Lighting



•PONDA
Emergency Lighting





SPOT LUMINAIRES



SPOT LIGHTING LUMINAIRE

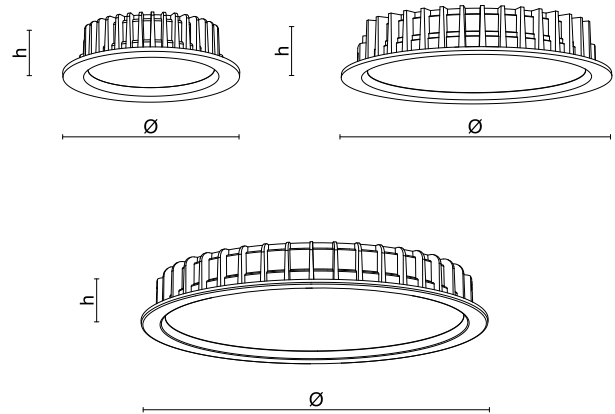


“DOWNLED V.2 may be included in the projects as a versatile option thanks to its simple design with clean finishes, and its efficient opal diffuser. This product provides the advantage of extra usage area in the ceilings with less depth thanks to its height of 3.5cm. Besides its visual comfort and power saving features, it is also particularly ideal for all projects as it provides economy.”

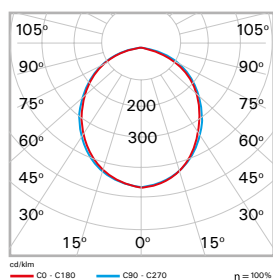
Technical Specifications

Housing	: Aluminium injection housing
Optical	: Opal diffuser
Light Source	: SMD LED
Power	: 4 Inches 8 W / 4 Inches 10 W / 6 Inches 15 W / 6 Inches 20 W / 8 Inches 20 W / 8 Inches 30 W
Lumen	
4 Inches	: 904 lm / 1130 lm
6 Inches	: 1710 lm / 2231 lm
8 Inches	: 2231 lm / 3423 lm
Input Voltage	: 220-240V AC 50/60Hz
Color Temp.	: 3000K / 4000K / 6500K
CRI	: > 80
IP	: IP20
Installation	: Recessed mounted
Housing Colour	: RAL 9005 / RAL 9006 / RAL 9016

Technical Drawing



Photometric Data



Dimensions (mm)

4 Inches Ø115			6 Inches Ø175			8 Inches Ø225		
Type	Ø	h	Type	Ø	h	Type	Ø	h
8 W	115	35	15 W	175	35	20 W	225	35
10 W	115	35	20 W	175	35	30 W	225	35

Ceiling Cut Dimensions

Type	Ø	h
4 Inches	115	35
6 Inches	175	35
8 Inches	225	35

Options

Emergency Kit: Yes (1-3 hours)
 DALI Compatibility: Yes



DOWNLED IP 65 Surface Mounted



SPOT LIGHTING LUMINAIRE

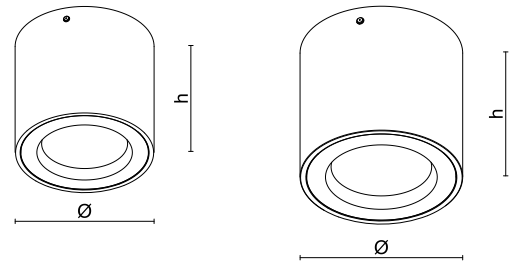


“ It is suitable for environments where a high IP value is required. IP65 and IP20 Protection Degree is suitable for external environments and areas such as soffits, etc. Thanks to its high light efficiency, it offers great savings when compared to traditional lighting. It does not glare thanks to its deeply located light source. It has a symmetrical spot effect in terms of light character and creates a light effect that floats from the ceiling. ”

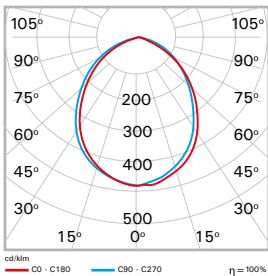
Technical Specifications

Housing	: Aluminium Housing
Optical	: Built-in opal diffuser
Light Source	: SMD LED
Power	: 17 W / 20 W
Lumen	: 1441 lm / 1696 lm
Input Voltage	: 220-240V AC 50/60Hz
Color Temp.	: 2700K / 3000K / 4000K / 6500K
CRI	: > 80
IP	: IP20 / IP65
Installation	: Surface Mounted
Housing Colour	: RAL 9010 / RAL 9006 / RAL 9005

Technical Drawing



Photometric Data



Dimensions (mm)

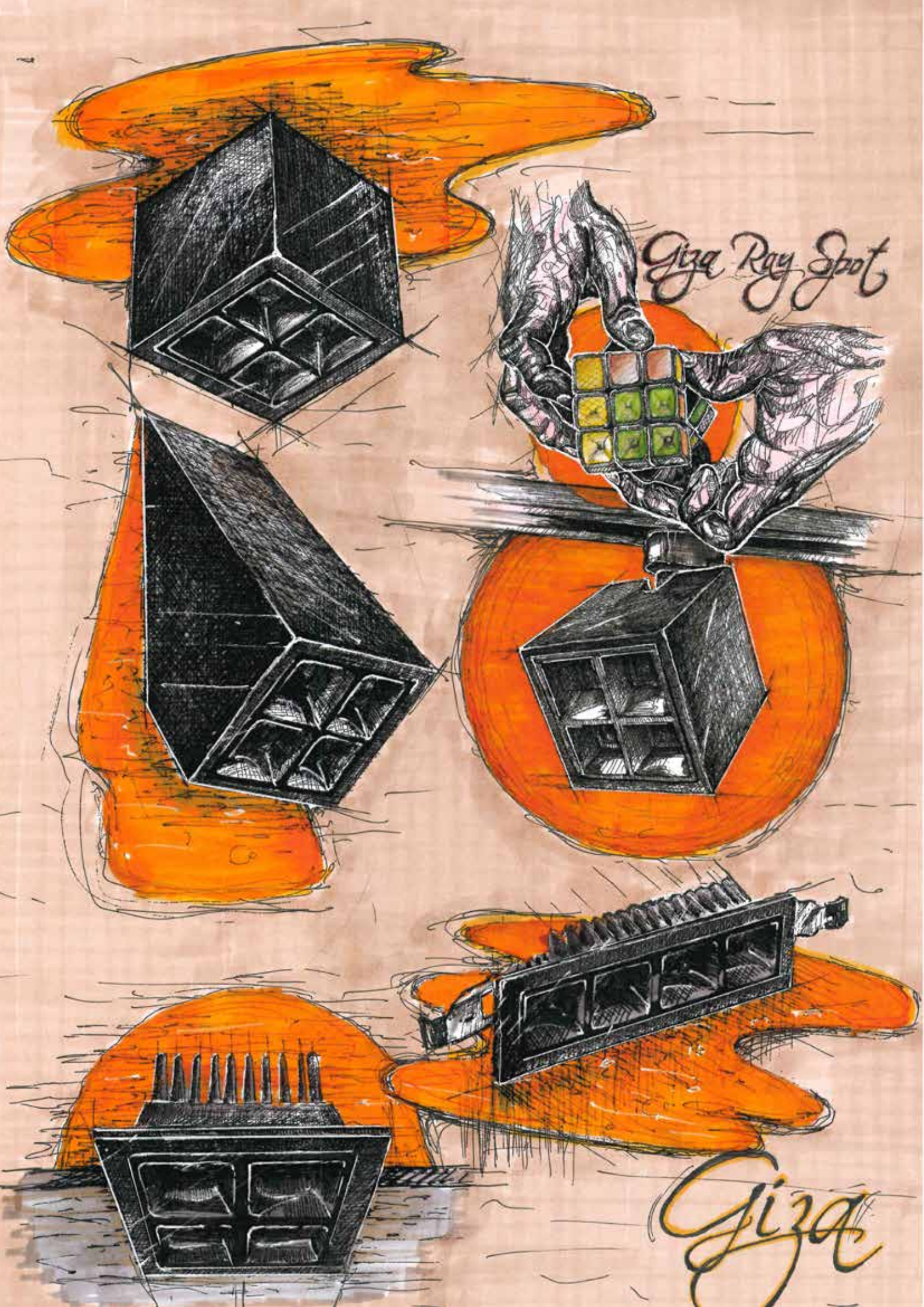
IP20			IP65		
Type	Ø	h	Type	Ø	h
20 W	187	185	20 W	187	150
17 W	160	150	17 W	160	150

Options

Emergency Kit: None
 DALI Compatibility: Yes







Giza Ray Spot

Giza

GIZA V.2 Recessed Mounted



SPOT LIGHTING LUMINAIRE

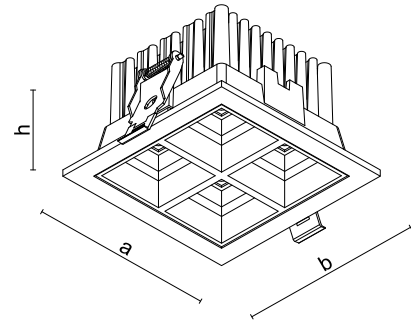


GizaV2 is used for illumination of various environments such as manager rooms, retail stores, exhibition halls, meeting rooms, and corridors. It has a minimum installation height of 75mm. Preventing glare with its deep reflector structure, Giza V.2 ensures light distribution at 50° or 80° thanks to its high-efficiency lenses with optic design.

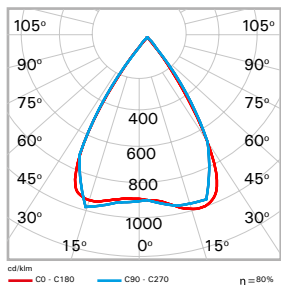
Technical Specifications

Housing	: Aluminium injection housing
Optical	: 50° / 80° Lens + Reflector (Black)
Light Source	: SMD LED
Power	: 6W / 8 W / 10 W / 12 W / 14 W / 20 W / 24 W / 28 W
Lumen	: 709 lm / 894 lm / 1076 lm / 1209 lm / 1376 lm / 2200 lm / 2539 lm / 2963 lm
Input Voltage	: 220-240V AC 50/60 Hz
Color Temp.	: 2700K / 3000K / 4000K / 6500K
CRI	: > 80
IP	: IP20
Installation	: Recessed mounted
Housing Colour	: RAL 9005 / RAL 9006 / RAL 9016

Technical Drawing



Photometric Data



Dimensions (mm)

a	b	h
100	100	75

Ceiling Cut Dimensions
90 x 90mm

Options

Emergency Kit: Yes (1-3 hours)
 DALI Compatibility: Yes
 CRI: > 90



GIZA V.2 Surface Mounted



SPOT LIGHTING LUMINAIRE

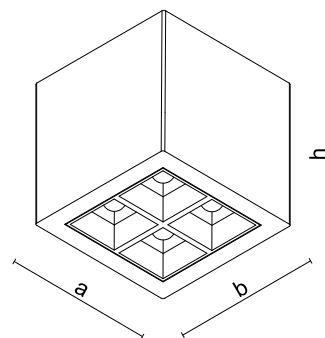


With its cube-shaped minimalist design, GizaV.2 is used to illuminate areas such as museums, exhibition halls and corridors besides the health institutions, hotels and educational institutions. Having an advanced lens structure, the product offers an ideal performance for the illumination of the locations. Thanks to its efficient lenses, GizaV.2 ensures light distribution at 50° or 80°.

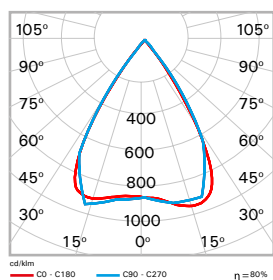
Technical Specifications

Housing	: Aluminium injection housing
Optical	: 50° / 80° Lens + Reflector (Black)
Light Source	: SMD LED
Power	: 6W / 8 W / 10 W / 12 W / 14 W / 20 W / 24 W / 28 W
Lumen	: 709 lm / 894 lm / 1076 lm / 1209 lm / 1376 lm / 2200 lm / 2539 lm / 2963 lm
Input Voltage	: 220-240V AC 50/60 Hz
Color Temp.	: 2700K / 3000K / 4000K / 6500K
CRI	: > 80
IP	: IP20
Installation	: Surface Mounted
Housing Color	: RAL 9005 / RAL 9006 / RAL 9016

Technical Drawing



Photometric Data



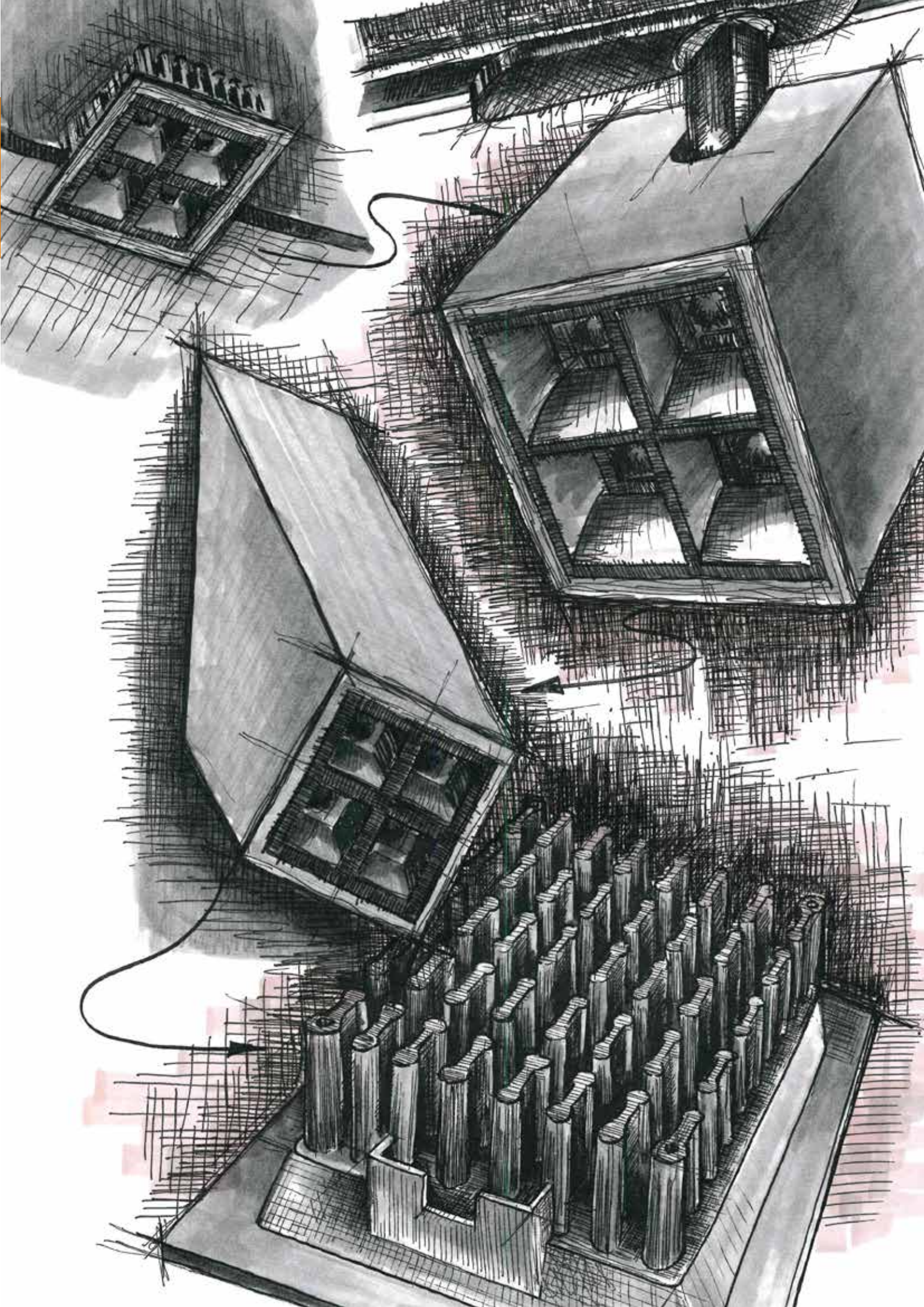
Dimensions (mm)

a	b	h
105	105	100

Options

Emergency Kit: None
 DALI Compatibility: Yes
 CRI: > 90





GIZA Slim Surface Mounted



SPOT LIGHTING LUMINAIRE

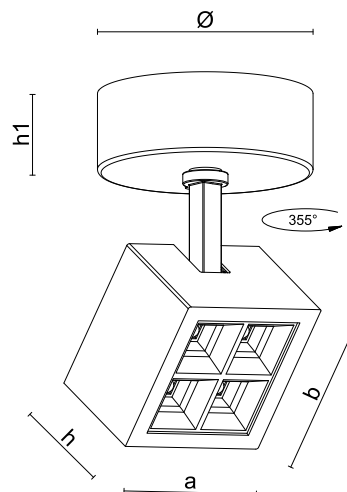


Giza Slim Surface Mounted, which can rotate 355° around its own axis thanks to its movable structure, is the architectural lighting solution for the areas which require visual comfort such as stores, meeting rooms, residences, museums, exhibition areas and hotels with its high performance LED and optical quality.

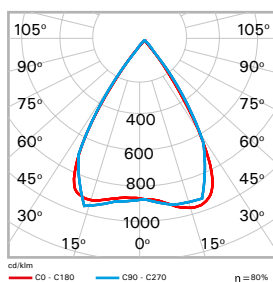
Technical Specifications

Housing	: Aluminium injection housing
Optical	: 50° / 80° Lens + Reflector (Black)
Light Source	: SMD LED
Power	: 6W / 8 W / 10 W / 12 W / 14 W / 20 W / 24 W / 28 W
Lumen	: 709 lm / 894 lm / 1076 lm / 1209 lm / 1376 lm / 2200 lm / 2539 lm / 2963 lm
Input Voltage	: 220-240V AC 50/60 Hz
Color Temp.	: 2700K / 3000K / 4000K / 6500K
CRI	: > 80
IP	: IP20
Installation	: Surface Mounted
Housing Colour	: RAL 9005 / RAL 9006 / RAL 9016

Technical Drawing



Photometric Data



Dimensions (mm)

a	b	h	h1	Ø
105	105	70	50	120

Options

Emergency Kit: None
 DALI Compatibility: Yes
 CRI: > 90



GIZA L4 Recessed Mounted



SPOT LIGHTING LUMINAIRE

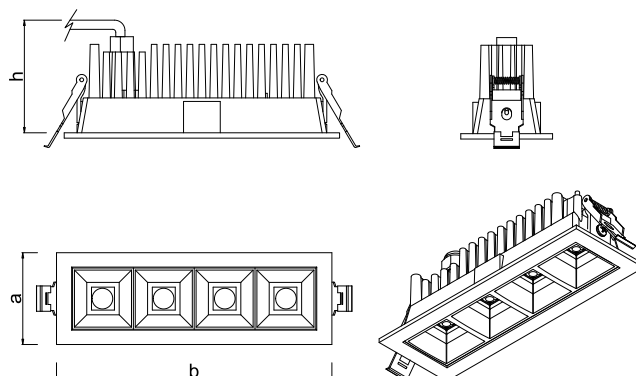


“Offering light distribution at 50° or 80° thanks to its lenses with special optic design, Giza L4 minimizes the glare with its structure offering a deeply placed reflector. This product offers perfect performance for the illumination of museums, exhibition halls, meeting rooms, halls and stores.”

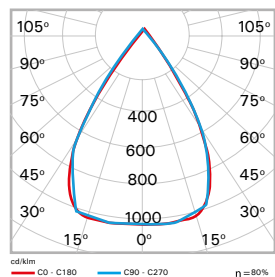
Technical Specifications

Housing	: Aluminium injection housing
Optical	: 50° / 80° Lens + Reflector (Black)
Light Source	: SMD LED
Power	: 6 W / 8 W / 10W / 12W / 14 W
Lumen	: 709 lm / 894 lm / 1076 lm / 1209 lm / 1376 lm
Input Voltage	: 220-240V AC 50/60 Hz
Color Temp.	: 2700K / 3000K / 4000K / 6500K
CRI	: > 80
IP	: IP20
Installation	: Recessed mounted
Housing Colour	: RAL 9005 / RAL 9006 / RAL 9016

Technical Drawing



Photometric Data



Dimensions (mm)

a	b	h
60	180	65

Ceiling Cut Dimensions
50 x 170mm

Options

Emergency Kit: Yes (1-3 hours)
 DALI Compatibility: Yes
 CRI: > 90



GIZA L4 Surface Mounted Horizontal



SPOT LIGHTING LUMINAIRE

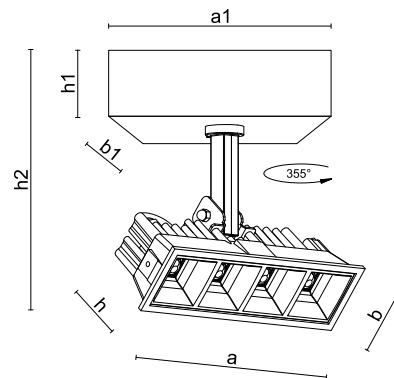


“With its design that bring a different touch to the interior lighting, Giza L4 Surface Mounted Horizontal perfectly meets the requirements of interior areas such as retail stores, museums, exhibition halls, meeting rooms, and halls. Giza L4 Surface Mounted Horizontal ensures light distribution at 50° or 80° thanks to its high-efficiency special optic design lenses.”

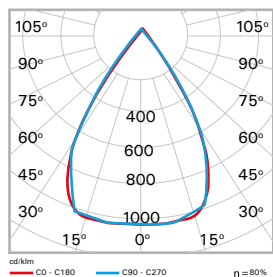
Technical Specifications

- Housing : Aluminium injection housing
- Optical : 50° / 80° Lens + Reflector (Black)
- Light Source : SMD LED
- Power : 6 W / 8 W / 10W / 12W / 14 W
- Lumen : 709 lm / 894 lm / 1076 lm / 1209 lm / 1376 lm
- Input Voltage : 220-240V AC 50/60 Hz
- Color Temp. : 2700K / 3000K / 4000K / 6500K
- CRI : > 80
- IP : IP20
- Installation : Surface Mounted
- Housing Colour : RAL 9005 / RAL 9006 / RAL 9016

Technical Drawing



Photometric Data



Dimensions (mm)

a	b	h	a1	b1	h1	h2
170	50	52	120	70	50	165

Options

- Emergency Kit: None
- DALI Compatibility: Yes
- CRI: > 90



GIZA L4 Surface Mounted Vertical



SPOT LIGHTING LUMINAIRE

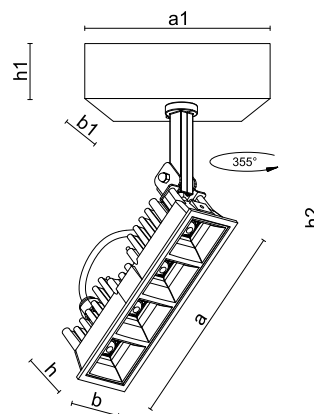


As an architectural lighting solution, Giza L4 Surface Mounted Vertical does not cause glare with its structure that offers a deeply located reflector. Offering light distribution at 50° or 80° thanks to its lenses with special optic design, this product is used for the lighting of areas such as retail stores, museums, exhibition halls, and corridors.

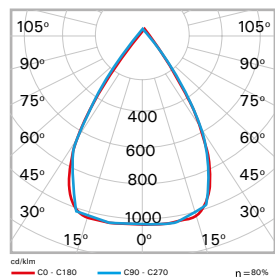
Technical Specifications

- Housing : Aluminium injection housing
- Optical : 50° Lens / 80° Lens + Reflector (Black)
- Light Source : SMD LED
- Power : 6 W / 8 W / 10W / 12W / 14 W
- Lumen : 709 lm / 894 lm / 1076 lm / 1209 lm / 1376 lm
- Input Voltage : 220-240V AC 50/60 Hz
- Color Temp. : 2700K / 3000K / 4000K / 6500K
- CRI : > 80
- IP : IP20
- Installation : Surface Mounted
- Housing Colour : RAL 9005 / RAL 9006 / RAL 9016

Technical Drawing



Photometric Data



Dimensions (mm)

a	b	h	a1	b1	h1	h2
170	50	52	120	70	50	283

Options

- Emergency Kit: None
- DALI Compatibility: Yes
- CRI: > 90



STORM Surface Mounted



SPOT LIGHTING LUMINAIRE

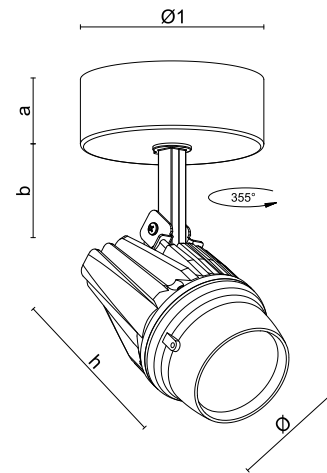


“Included among the new members of spot luminaires, Storm Surface Mounted meets the lighting needs of retail stores and exhibition halls at the maximum level. Offers simple solutions for projects that you want to create an accent lighting with different optical and lumen values.”

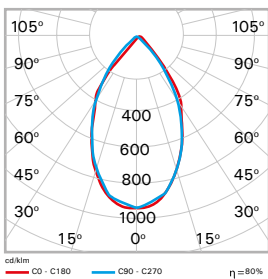
Technical Specifications

- Housing : Aluminium injection housing
- Optical : 24° / 40° Reflector
- Light Source : COB LED
- Power : 20 W / 28 W / 36 W
- Lumen : 2420 lm / 3330 lm / 4176 lm
- Input Voltage : 220-240V AC 50/60Hz
- Color Temp. : 2700K / 3000K / 4000K / 6500K
- CRI : > 80
- IP : IP20
- Installation : Surface Mounted
- Housing Colour : RAL 9005 / RAL 9006 / RAL 9016

Technical Drawing



Photometric Data



Dimensions (mm)

a	b	h	Ø	Ø1
50	48	138	90	120

Options

- Emergency Kit : None
- DALI Compatibility: Yes
- CRI: > 90





ESP - BRICK Surface Mounted



SPOT LIGHTING LUMINAIRE

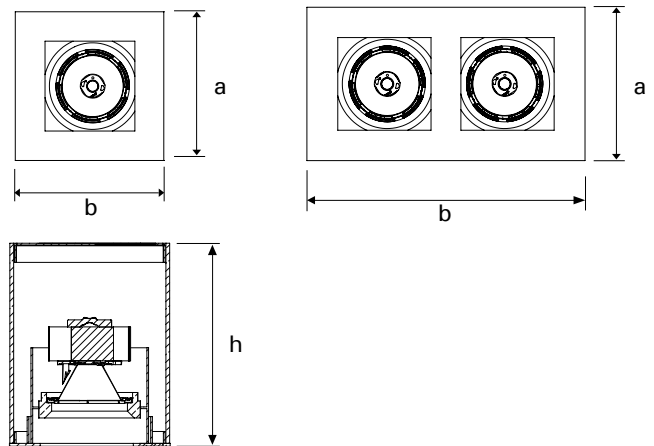


ESP-BRICK meets the zone-specific or general lighting requirements of any interior space with its compact body design and its deeply positioned light source that does not cause a glare. Offers narrow, medium and wide angle options.

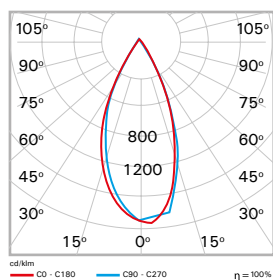
Specifications 2x (Specifications of Double Luminaire)

Housing	: Aluminium injection housing
Optical	: 15° / 25° / 35° / 50° Reflector / Diffuser
Light Source	: COB LED
Power	: 2x6 W / 2x9 W / 2x12 W
With opal diffuser	(15°) / (25°) / (35°) / (50°)
12 W	: 1317 lm
18 W	: 1975 lm
24 W	: 2634 lm
Input Voltage	: 220-240V AC 50/60Hz
Color Temp.	: 3000K / 4000K
CRI	: > 80
IP	: IP20
Installation	: Surface Mounted
Housing Colour	: RAL 9005 / RAL 9006 / RAL 9016

Technical Drawing



Photometric Data



Dimensions (mm)

Type	a	b	h
1xBRICK	90	90	103
2xBRICK	90	162	120

Options

Emergency Kit : Yes (1-3 hours) External
 DALI Compatibility: Yes
 CRI: > 90

External ACK Kit





ESP - BRICK Recessed Mounted



SPOT LIGHTING LUMINAIRE

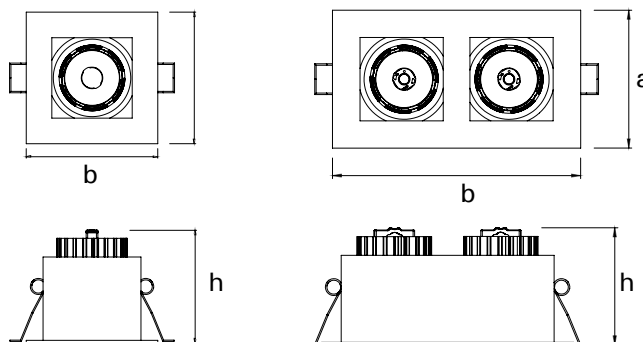


ESP- BRICK Recessed Mounted meets the zone-specific or general lighting requirements in any area that require an architectural lighting. Providing an aesthetic view to the environment it is installed with its body design, this product offers three angles, namely narrow, medium and wide.

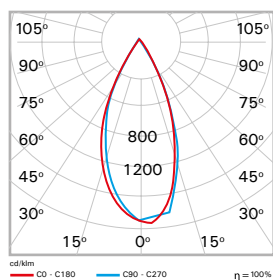
Specifications 2x (Specifications of Double Luminaire)

- Housing : Aluminium injection housing
- Optical : 15° / 25° / 35° / 50° Reflector / Diffuser
- Light Source : COB LED
- Power : 2x6 W / 2x9 W / 2x12 W
- With opal diffuser (15°) / (25°) / (35°) / (50°)
 - 12 W : 798 lm / 800 lm / 806 lm / 782 lm
 - 18 W : 1072 lm / 1046 lm / 1074 lm / 1040 lm
 - 24 W : 1680 lm / 1806 lm / 1720 lm / 1690 lm
- Input Voltage : 220-240V AC 50/60Hz
- Color Temp. : 2700K / 3000K / 4000K / 6500K
- CRI : > 80
- IP : IP20
- Installation : Recessed mounted
- Housing Colour : RAL 9005 / RAL 9006 / RAL 9016

Technical Drawing



Photometric Data



Dimensions (mm)

Type	a	b	h
1xBRICK	90	90	57
2xBRICK	90	162	57

Ceiling Cut Dimensions

1xBRICK	68mm x 68mm
2xBRICK	69mm x 142mm

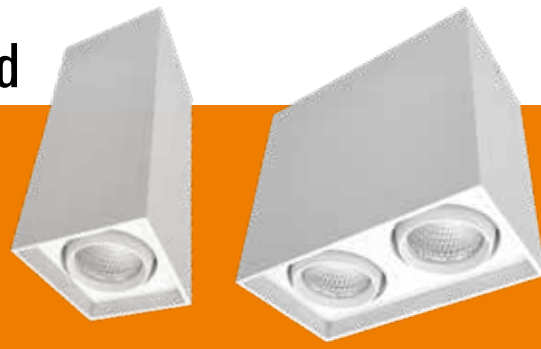
Options

- Emergency Kit : Yes (1-3 hours)
- DALI Compatibility: Yes
- CRI: > 90
- Diffuser Options : Open Front / Iced Diffuser





BRICK V.2 Surface Mounted



SPOT LIGHTING LUMINAIRE

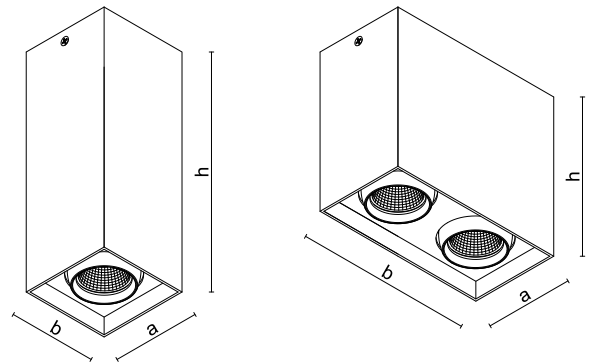


Offered to the users with different length alternatives, BRICK Surface Mounted has narrow, medium and wide angle options. Meets the zone-specific of any interior space with its compact body design and its deeply positioned light source that does not cause a glare.

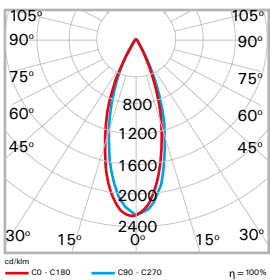
Specifications 2x (Specifications of Double Luminaire)

- Housing : Aluminium injection housing
- Optical : 24° / 36° Reflector
- Light Source : COB LED
- Power : 2x6W / 2x7W / 2x10W / 2x12W
- Lumen : 1384 lm / 1732 lm / 2198 lm / 2390 lm
- Input Voltage : 220-240V AC 50/60Hz
- Color Temp. : 2700K / 3000K / 4000K / 6500K
- CRI : > 80
- IP : IP20
- Installation : Surface Mounted
- Housing Colour : RAL 9005 / RAL 9006 / RAL 9016

Technical Drawing



Photometric Data



Dimensions (mm)

Type	a	b	h
1xBRICK	80	80	200
2xBRICK	80	150	150

Options

- Emergency Kit : None
- DALI Compatibility: Yes
- CRI: > 90





BELLA Recessed Mounted



SPOT LIGHTING LUMINAIRE



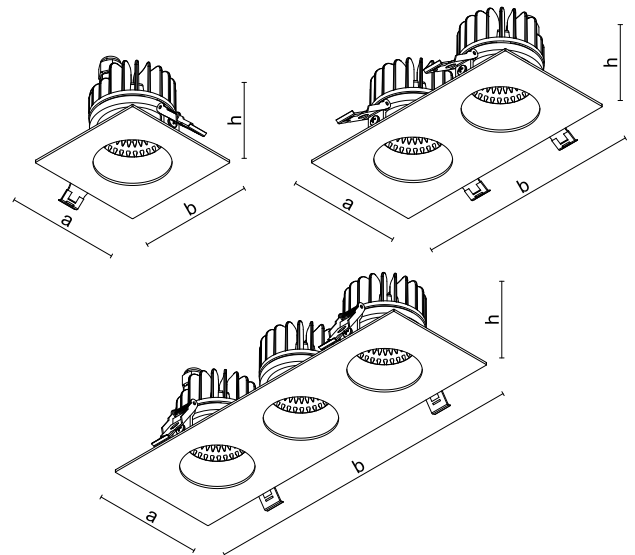
Offered with three different angle options, namely narrow, medium and wide, Bella Recessed Mounted provides a perfect performance for the zone-specific or general lighting requirements of interior spaces.



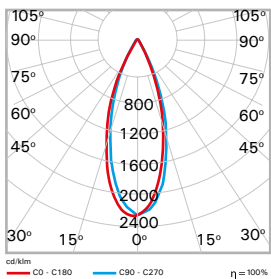
Specifications 2x (Specifications of Double Luminaire)

Housing	: Aluminium injection housing
Optical	: 24° / 36° / 60° Reflector
Light Source	: COB LED
Power	: 2x6W / 2x7W / 2x10W / 2x12W / 2x14W
Lumen	: 1272 lm / 1684 lm / 2120 lm / 2544 lm / 2968 lm
Input Voltage	: 220-240V AC 50/60Hz
Color Temp.	: 2700K / 3000K / 4000K / 6500K
CRI	: > 80
IP	: IP20
Installation	: Recessed mounted
Housing Colour	: RAL 9005 / RAL 9006 / RAL 9016

Technical Drawing



Photometric Data



Dimensions (mm)

	a	b	h
1xBELLA	100	100	98
2xBELLA	100	200	98
3xBELLA	100	300	98

Ceiling Cut Dimensions

1xBELLA	90mm x 90mm
2xBELLA	90mm x 180mm
3xBELLA	90mm x 270mm

Options

Emergency Kit : Yes (1-3 hours)
 DALI Compatibility: Yes
 CRI: >90
 Diffuser: Opal



BELLA Surface Mounted



SPOT LIGHTING LUMINAIRE

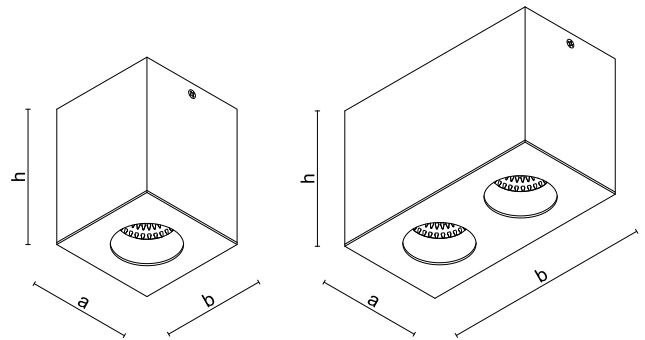


BELLA Surface Mounted, prevents glare thanks to its deeply located light source in addition to its aesthetic appearance. This product meets the lighting requirements of areas such as medical institutions, hotels, stores, meeting rooms, and halls. BELLA Surface Mounted offers narrow, medium and wide angle options.

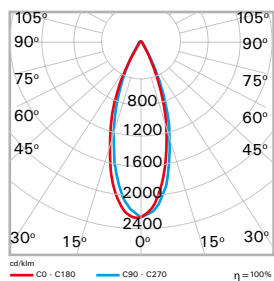
Specifications 2x (Specifications of Double Luminaire)

Housing	: Aluminium injection housing
Optical	: 24° / 36° / 60° Reflector
Light Source	: COB LED
Power	: 2x6W / 2x7W / 2x10W / 2x12W / 2x14W
Lumen	: 1272 lm / 1684 lm / 2120 lm / 2544 lm / 2968 lm
Input Voltage	: 220-240V AC 50/60Hz
Color Temp.	: 2700K / 3000K / 4000K / 6500K
CRI	: > 80
IP	: IP20
Installation	: Surface Mounted
Housing Colour	: RAL 9005 / RAL 9006 / RAL 9016

Technical Drawing



Photometric Data



Dimensions (mm)

	a	b	h
1xBELLA	100	100	130
2xBELLA	100	200	130

Options

Emergency Kit : None
 DALI Compatibility: Yes
 CRI: > 90
 Diffuser: Opal







SPOT LIGHTING LUMINAIRE

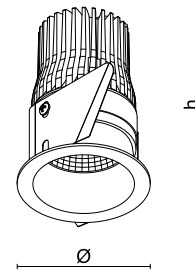


“ORI Small has a diameter of 58mm. It has a structure that does not cause glare thanks to its deeply located light source with micro size. Thanks to its high light efficiency, it offers great savings when compared to traditional lighting. It offers narrow and wide angle optical choices. Capable of fitting in narrow spaces, Ori small is perfect for niches, bookshelves, displays, elevators and any other narrow space.”

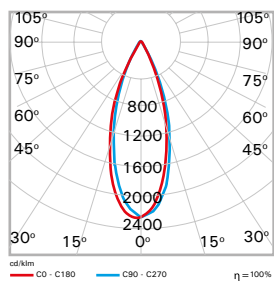
Technical Specifications

Housing	: Aluminium injection housing
Optical	: 24° / 36° Reflector
Light Source	: COB LED
Power	: 6 W / 8 W / 10 W / 12 W / 14 W
Lumen	: 627 lm / 797 lm / 954 lm / 1108 lm / 1370 lm
Input Voltage	: 220-240V AC 50/60Hz
Color Temp.	: 2700K / 3000K / 4000K / 6500K
CRI	: > 80
IP	: IP20
Installation	: Recessed mounted
Housing Colour	: RAL 9005 / RAL 9006 / RAL 9016

Technical Drawing



Photometric Data



Dimensions (mm)

Ø	h
58	100

Ceiling Cut Dimensions

Ø 52mm

Options

DALI Compatibility: Yes (6W / 8W / 10W)
No (12W / 14W)

CRI: > 90
Diffuser: Opal
Emergency Kit: None



SPOT LIGHTING LUMINAIRE

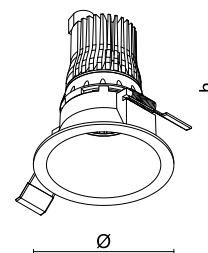


“ORI-Y MINI provides effective lighting while saving energy in comparison to its conventional alternatives with homogeneous lamps. It offers narrow and wide angle optical options. This product does not cause glare thanks to its deeply located light source.”

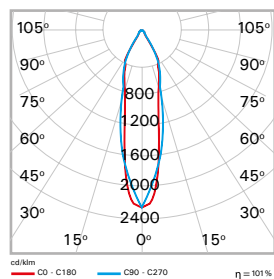
Technical Specifications

Housing	: Aluminium injection housing
Optical	: 24° / 36° Reflector
Light Source	: COB LED
Power	: 6 W / 8 W / 10 W / 12 W / 14 W
Lumen	: 678 lm / 853 lm / 1066 lm / 1195 lm / 1370 lm
Input Voltage	: 220-240V AC 50/60Hz
Color Temp.	: 2700K / 3000K / 4000K / 6500K
CRI	: > 80
IP	: IP20
Installation	: Recessed mounted
Housing Colour	: RAL 9005 / RAL 9006 / RAL 9016

Technical Drawing



Photometric Data



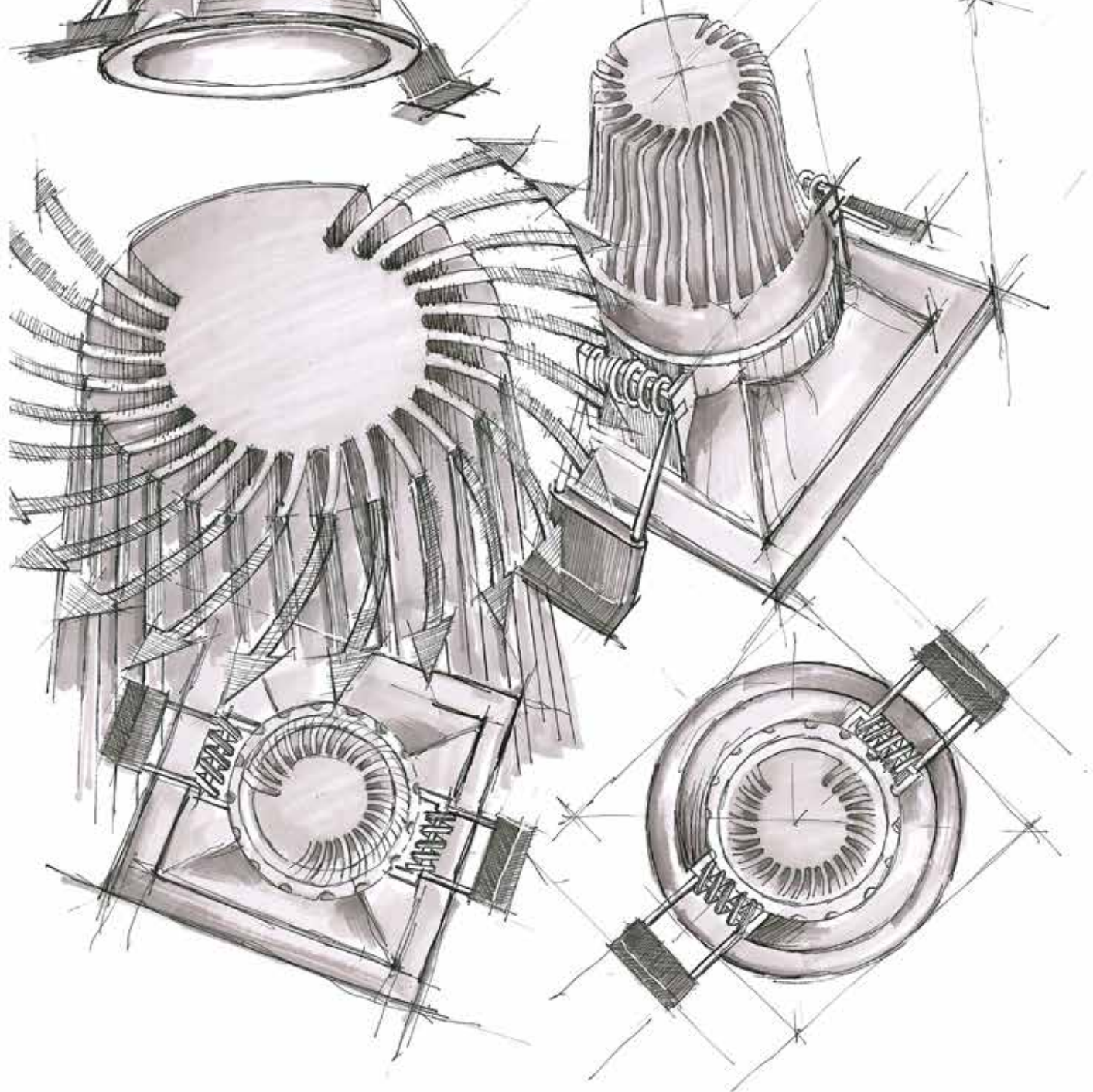
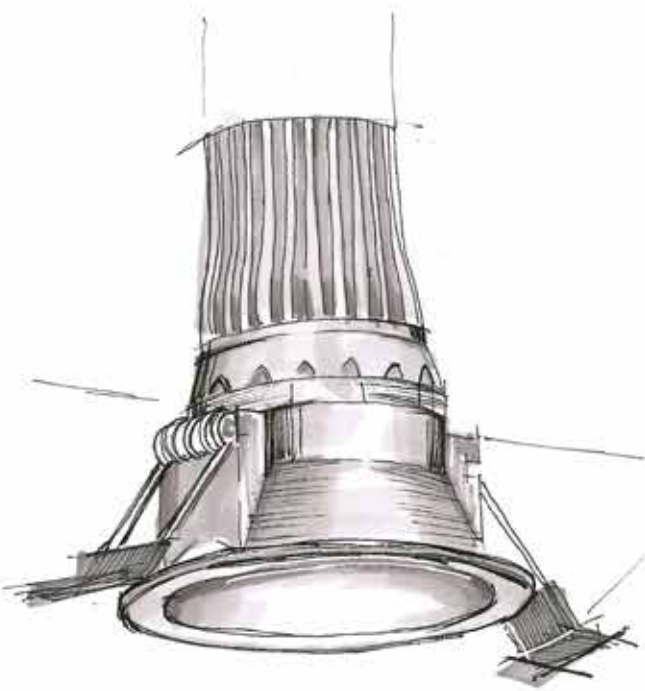
Dimensions (mm)

Ø	h	ØD
85	115	76

Options

Emergency Kit : Yes (1-3 hours)
 DALI Compatibility: Yes
 CRI: > 90
 Diffuser: Opal







SPOT LIGHTING LUMINAIRE

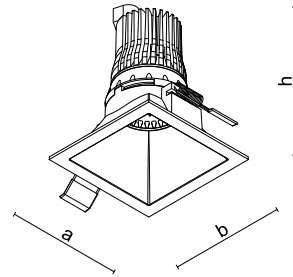


“ORI-K MINI does not cause glare thanks to its deeply located light source. Provides effective lighting while saving energy in comparison to its conventional alternatives with halogen lamps. It offers narrow and wide angle optical choices.”

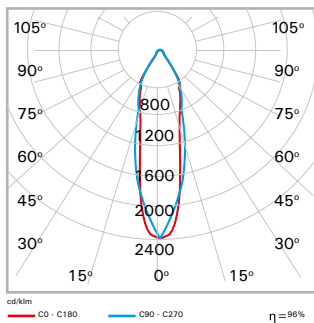
Technical Specifications

- Housing : Aluminium injection housing
- Optical : 24° / 36° Reflector
- Light Source : COB LED
- Power : 6 W / 8 W / 10 W / 12 W / 14 W
- Lumen : 678 lm / 853 lm / 1066 lm / 1195 lm / 1370 lm
- Input Voltage : 220-240V AC 50/60Hz
- Color Temp. : 2700K / 3000K / 4000K / 6500K
- CRI : > 80
- IP : IP20
- Installation : Recessed mounted
- Housing Colour : RAL 9005 / RAL 9006 / RAL 9016

Technical Drawing



Photometric Data



Dimensions (mm)

a	b	h
85	85	115

Ceiling Cut Dimensions
75 x 75mm

Options

- Emergency Kit : Yes (1-3 hours)
- DALI Compatibility: Yes
- CRI: > 90
- Diffuser: Opal

SPOT LIGHTING LUMINAIRE

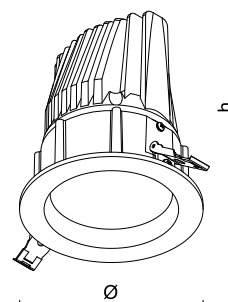


“With its fixed body structure and various lumen options, ORI provides effective lighting while saving energy in all retail and exhibition areas that require a general lighting method.”

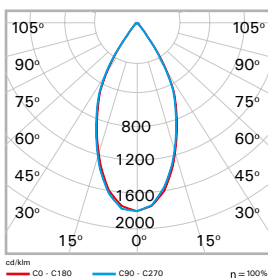
Technical Specifications

Housing	: Aluminium injection housing
Optical	: 24° / 40° / 60° reflector
Light Source	: COB LED
Power	: 20 W / 28 W / 36 W
Lumen	: 2420 lm / 3330 lm / 4176 lm
Input Voltage	: 220-240V AC 50/60Hz
Color Temp.	: 2700K / 3000K / 4000K / 6500K
CRI	: > 80
IP	: IP20
Installation	: Recessed mounted
Housing Colour	: RAL 9005 / RAL 9006 / RAL 9016

Technical Drawing



Photometric Data



Dimensions (mm)

Ø	h
120	135

Ceiling Cut Dimensions

Ø 108 mm

Options

- Emergency Kit: Yes (1-3 hours)
- DALI Compatibility: Yes
- CRI: > 90
- Diffuser: Opal



BISTA-K Mini Adjustable



SPOT LIGHTING LUMINAIRE

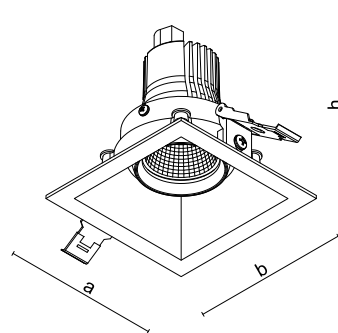


You may select from alternative body and reflector colours that provide an extra touch to the spaces for Bista-K Mini Adjustable that allow various combinations. It is a general lighting luminaire used in applications in areas such as residences, hotels and offices.

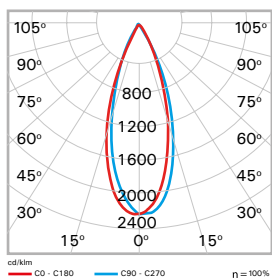
Technical Specifications

- Housing : Aluminium injection housing
- Optical : 24° / 36° / 60° reflector
- Light Source : COB LED
- Power : 6 W / 8 W / 10 W / 12 W / 14 W
- Lumen : 692 lm / 866 lm / 1099 lm / 1195 lm / 1370 lm
- Input Voltage : 220-240V AC 50/60Hz
- Color Temp. : 2700K / 3000K / 4000K / 6500K
- CRI : > 80
- IP : IP20
- Installation : Recessed mounted
- Housing Colour : RAL 9005 / RAL 9006 / RAL 9016

Technical Drawing



Photometric Data



Dimensions (mm)

a	b	h
100	100	115

Ceiling Cut Dimensions
 92 x 92mm

Options

- Emergency Kit: Yes (1-3 hours)
- DALI Compatibility: Yes
- CRI: > 90
- Diffuser: Opal



BISTA-Y Mini Adjustable



SPOT LIGHTING LUMINAIRE

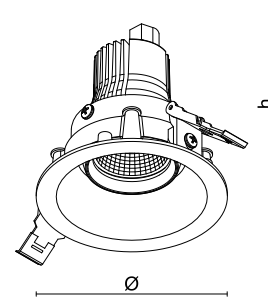


You may achieve various combinations with Bista-Y Mini Adjustable that can easily be used in different interior spaces such as residences, hotels and offices. Offering alternative body and reflector colours, this product adds an extra touch to the environment. Bista-Y Mini Adjustable is a general lighting luminaire which is functional for various applications.

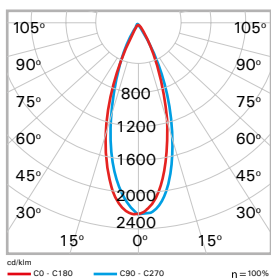
Technical Specifications

- Housing : Aluminium injection housing
- Optical : 24° / 36° / 60° reflector
- Light Source : COB LED
- Power : 6 W / 8 W / 10 W / 12 W / 14 W
- Lumen : 692 lm / 866 lm / 1099 lm / 1195 lm / 1370 lm
- Input Voltage : 220-240V AC 50/60Hz
- Color Temp. : 2700K / 3000K / 4000K / 6500K
- CRI : > 80
- IP : IP20
- Installation : Recessed mounted
- Housing Colour : RAL 9005 / RAL 9006 / RAL 9016

Technical Drawing



Photometric Data



Dimensions (mm)

Ø	h
100	115

Ceiling Cut Dimensions

Ø 92mm

Options

- Emergency Kit: Yes (1-3 hours)
- DALI Compatibility: Yes
- CRI: > 90
- Diffuser: Opal





SPOT LIGHTING LUMINAIRE

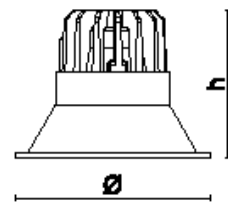


PIXA V.2 YV has a simple character with its spherical frame offering soft transitions. As a result, it can be used for zone-specific and general lighting in meeting rooms, halls, offices, entrance halls, residences and hotels.

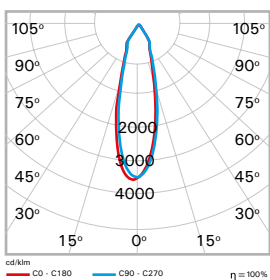
Technical Specifications

Housing	: Aluminium injection housing
Optical	: 15° / 30° reflector
Light Source	: COB LED
Power	: 5 W / 8 W / 10 W
Lumen	: 445 lm / 712 lm / 859 lm
Input Voltage	: 220-240V AC 50/60Hz
Color Temp.	: 2700K / 3000K / 4000K / 6500K
CRI	: > 80
IP	: IP20
Installation	: Recessed mounted
Housing Colour	: RAL 9005 / RAL 9006 / RAL 9016

Technical Drawing



Photometric Data



Dimensions (mm)

Ø	h
100	90

Ceiling Cut Dimensions
Ø88mm

Options

Emergency Kit: Yes (1-3 hours)
 DALI Compatibility: Yes
 CRI: > 90



SPOT LIGHTING LUMINAIRE

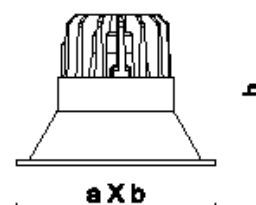


“ PIXA V.2 KR has a simple character with its deeply located light source and its square frame offering a broad transition. It may be used for zone-specific and general lighting in meeting rooms, halls, offices, entrance halls, residences and hotels. ”

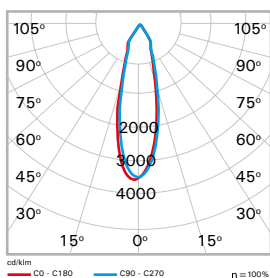
Technical Specifications

- Housing : Aluminium injection housing
- Optical : 15° / 30° reflector
- Light Source : COB LED
- Power : 5 W / 8 W / 10 W
- Lumen : 445 lm / 712 lm / 859 lm
- Input Voltage : 220-240V AC 50/60Hz
- Color Temp. : 2700K / 3000K / 4000K / 6500K
- CRI : > 80
- IP : IP20
- Installation : Recessed mounted
- Housing Colour : RAL 9005 / RAL 9006 / RAL 9016

Technical Drawing



Photometric Data



Dimensions (mm)

a	b	h
100	100	90

Ceiling Cut Dimensions
 Ø 88mm

30°

Options

- Emergency Kit : Yes (1-3 hours)
- DALI Compatibility: Yes
- CRI: > 90



SPOT LIGHTING LUMINAIRE

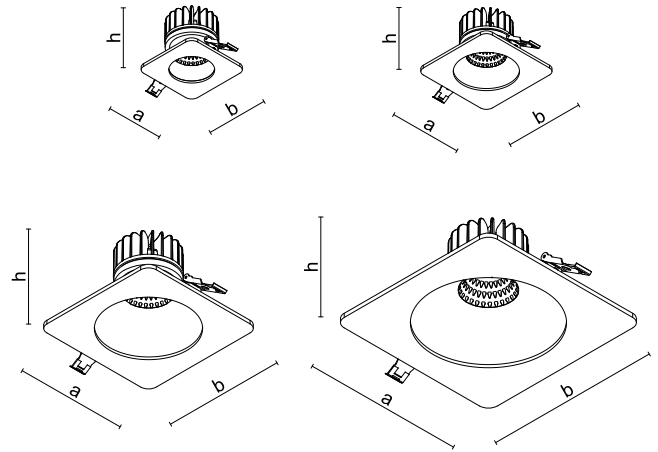


“Square brings the advantages of high performance LEDs and optical quality with its elegant design and visual comfort. It is a solution-oriented spot light with its square body and four different sizes. It does not glare thanks to its deeply located light source. Body and reflector colours that brings an extra touch to the spaces can be selected for various combinations. Thanks to its high light efficiency, it offers great savings when compared to traditional lighting. It offers narrow and wide angle optical choices.”

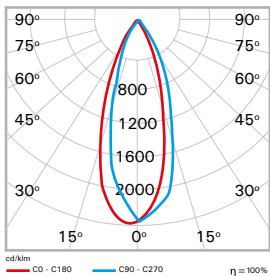
Technical Specifications

- Housing : Aluminium injection housing
- Optical : 24° / 36° / 60° reflector
- Light Source : COB LED
- Power : 6 W / 8 W / 10 W / 12 W / 14 W / 20 W
- Lumen : 636 lm / 848 lm / 1060 lm / 1272 lm / 1478 lm / 2040 lm
- Input Voltage : 220-240V AC 50/60Hz
- Color Temp. : 2700K / 3000K / 4000K / 6500K
- CRI : > 80
- IP : IP20
- Installation : Recessed mounted
- Housing Colour : RAL 9005 / RAL 9006 / RAL 9016

Technical Drawing



Photometric Data



Dimensions (mm)

	a	b	h
3 inches Square	90	90	95
4 inches Square	115	115	95
5 inches Square	140	140	115
6 inches Square	170	170	105

Ceiling Cut Dimensions

3 inches Square	Ø76
4 inches Square	Ø102
5 inches Square	Ø127
6 inches Square	Ø152

Options

- Emergency Kit : Yes (1-3 hours)
- DALI Compatibility: Yes
- Colour Option: Colour of the frame and the reflector may be changed
- CRI: > 90
- Optical: Opal Diffuser



SPOT LIGHTING LUMINAIRE

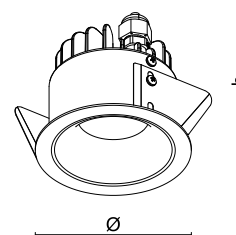


Blade provides high illumination efficiency in locations with narrow attic clearance with its dimensions offering a height of 8.5cm. Providing significant economy with respect to conventional lighting, this product does not cause glare thanks to its deeply located strong light source. It has a symmetrical spot effect in terms of light character. Creating a light effect that floats to the space from the ceiling, Blade is ideal for projects where high visual comfort is required.

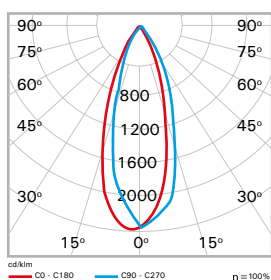
Technical Specifications

Housing	: Aluminium injection housing
Optical	: 24° / 36° / 60°
Light Source	: COB LED
Power	: 6 W / 8 W / 10 W / 12 W / 14 W / 20 W
Lumen	: 660 lm / 880 lm / 1100 lm / 1320 lm / 1552 lm / 2060 lm
Input Voltage	: 220-240V AC 50/60Hz
Color Temp.	: 2700K / 3000K / 4000K / 6500K
CRI	: > 80
IP	: IP20
Installation	: Recessed mounted
Housing Colour	: RAL 9005 / RAL 9006 / RAL 9016

Technical Drawing



Photometric Data



Dimensions (mm)

Ø	h
85	85

Ceiling Cut Dimensions

Ø 76mm

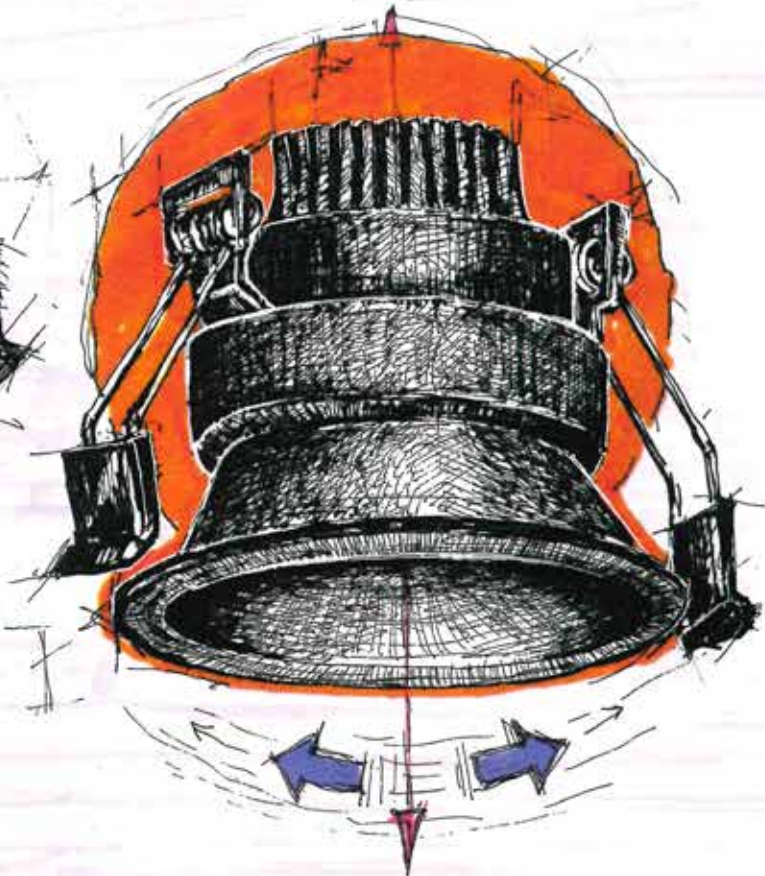
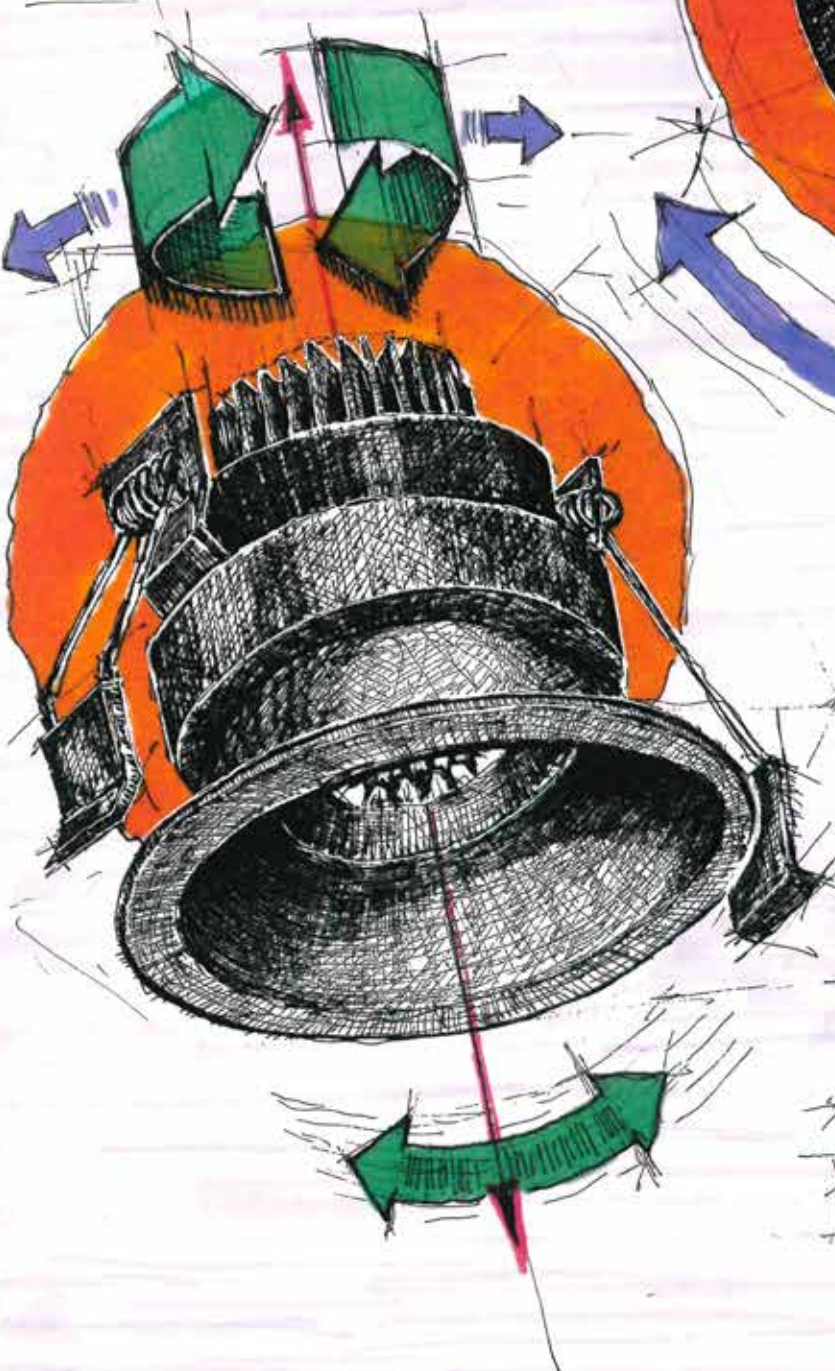
Options

Emergency Kit : Yes (1-3 hours)
 DALI Compatibility: Yes
 CRI: > 90



Sera

Adjustable



SERA Adjustable



SPOT LIGHTING LUMINAIRE

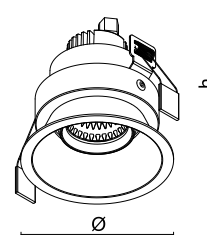


Sera Adjustable provides an extra touch in the lighting of various interior spaces with its moving structure. It is also an ideal product that can be moved and directed to highlight curved ceiling applications, art works or other architectural features. You may select from alternative body and reflector colours that allow various combinations and that provide an extra touch to the spaces. It is a general lighting luminaire used in applications in areas such as residences, hotels and offices.

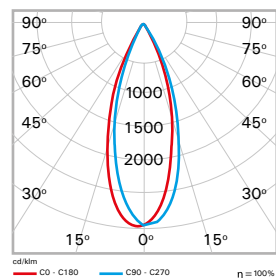
Technical Specifications

Housing	: Aluminium injection housing
Optical	: 24° / 36° / 60° reflector
Light Source	: COB LED
Power	: 6W / 8W / 10W / 12W / 14W
Lumen	: 636 lm / 848 lm / 1060 lm / 11248 lm / 1484 lm
Input Voltage	: 220-240V AC 50/60Hz
Color Temp.	: 2700K / 3000K / 4000K / 6500K
CRI	: > 80
IP	: IP20
Installation	: Recessed mounted
Housing Colour	: RAL 9005 / RAL 9006 / RAL 9016

Technical Drawing



Photometric Data



Dimensions (mm)

Ø	h
100	115

Ceiling Cut Dimensions

Ø 90mm

Options

- Emergency Kit : Yes (1-3 hours)
- DALI Compatibility: Yes
- CRI: > 90
- Optical: Opal Diffuser
- Colour Option: Colour of the frame may be selected



LORY FLAT IP65 KR Recessed Mounted



SPOT LIGHTING LUMINAIRE

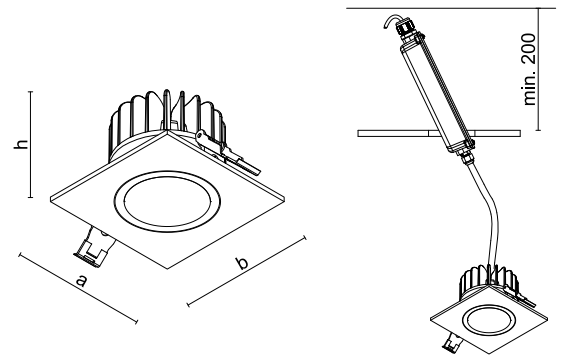


“With its IP 65 Protection Degree, it is suitable for bathrooms and humid spaces. Designed for narrow ceiling applications, this product offers great savings when compared to traditional lighting thanks to its high light efficiency. It does not cause glare thanks to its light source located in a depth of 80mm into the ceiling. It has a symmetrical spot effect in terms of light character and creates a light effect that floats from the ceiling. It is ideal for projects with high visual comfort needs.”

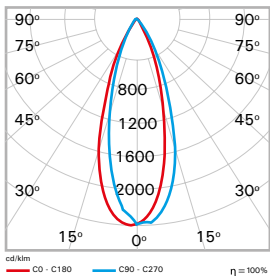
Technical Specifications

Housing	: Aluminium injection housing
Optical	: 24° / 36° / 60° reflector
Light Source	: COB LED
Power	: 6W / 8W / 10W / 12W / 14W / 20W
Lumen	: 641 lm / 800 lm / 984 lm / 1149 lm / 1378 lm / 1820 lm
Input Voltage	: 220-240V AC 50/60Hz
Color Temp.	: 2700K / 3000K / 4000K / 6500K
CRI	: > 80
IP	: IP65
Installation	: Recessed mounted
Housing Colour	: RAL 9005 / RAL 9006 / RAL 9016

Technical Drawing



Photometric Data



Dimensions (mm)

a	b	h
90	90	80

Ceiling Cut Dimensions
 Ø 78mm

Options

Emergency Kit : Yes (1-3 hours)
 DALI Compatibility: Yes
 CRI: > 90





LORY FLAT IP65 YV Recessed Mounted



SPOT LIGHTING LUMINAIRE

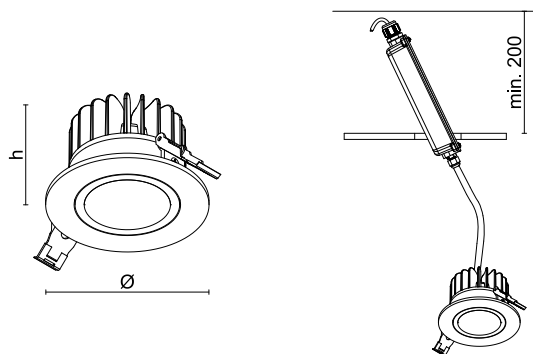


It has a symmetrical spot effect in terms of light character and creates a light effect that floats from the ceiling; and it is suitable for bathrooms and humid spaces thanks to its IP 65 Protection Degree. Designed for narrow ceiling applications, this product offers great savings when compared to traditional lighting thanks to its high light efficiency. It does not cause glare thanks to its light source located in a depth of 80mm into the ceiling. It has a symmetrical spot effect in terms of light character. Creating a light effect that floats to the space from the ceiling, this product is ideal for projects where high visual comfort is required.

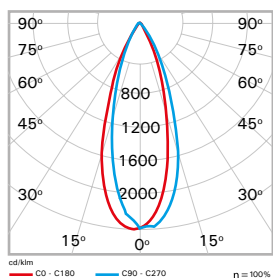
Technical Specifications

Housing	: Aluminium injection housing
Optical	: 24° / 36° / 60° reflector
Light Source	: COB LED
Power	: 6W / 8W / 10W / 12W / 14W / 20W
Lumen	: 641 lm / 800 lm / 984 lm / 1149 lm / 1378 lm / 1820 lm
Input Voltage	: 220-240V AC 50/60Hz
Color Temp.	: 2700K / 3000K / 4000K / 6500K
CRI	: > 80
IP	: IP65
Installation	: Recessed mounted
Housing Colour	: RAL 9005 / RAL 9006 / RAL 9016

Technical Drawing



Photometric Data



Dimensions (mm)

Ø	h
89	80

Ceiling Cut Dimensions

Ø 78mm

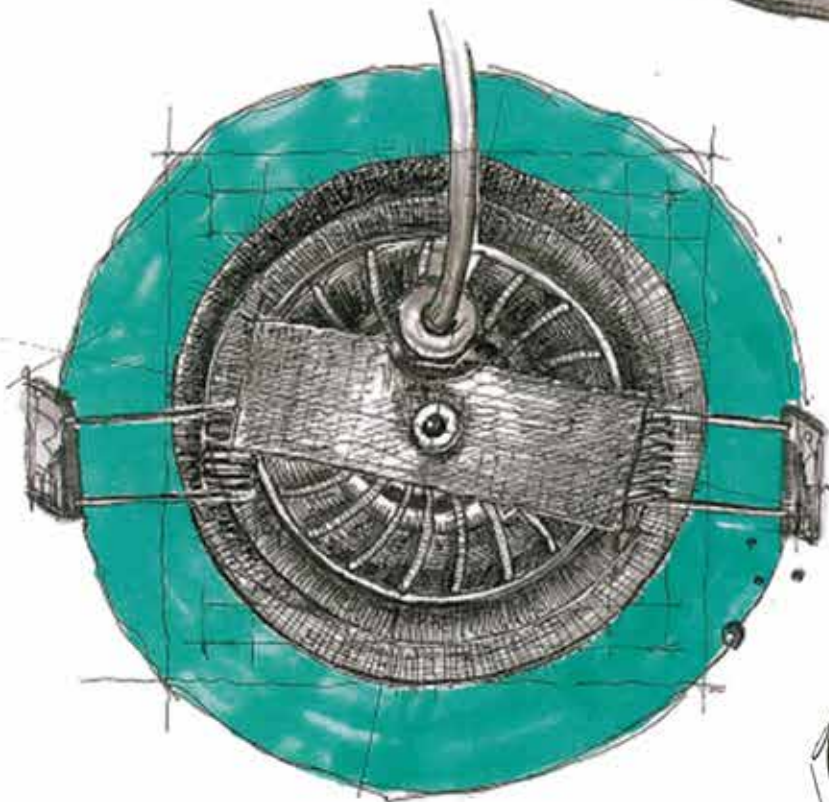
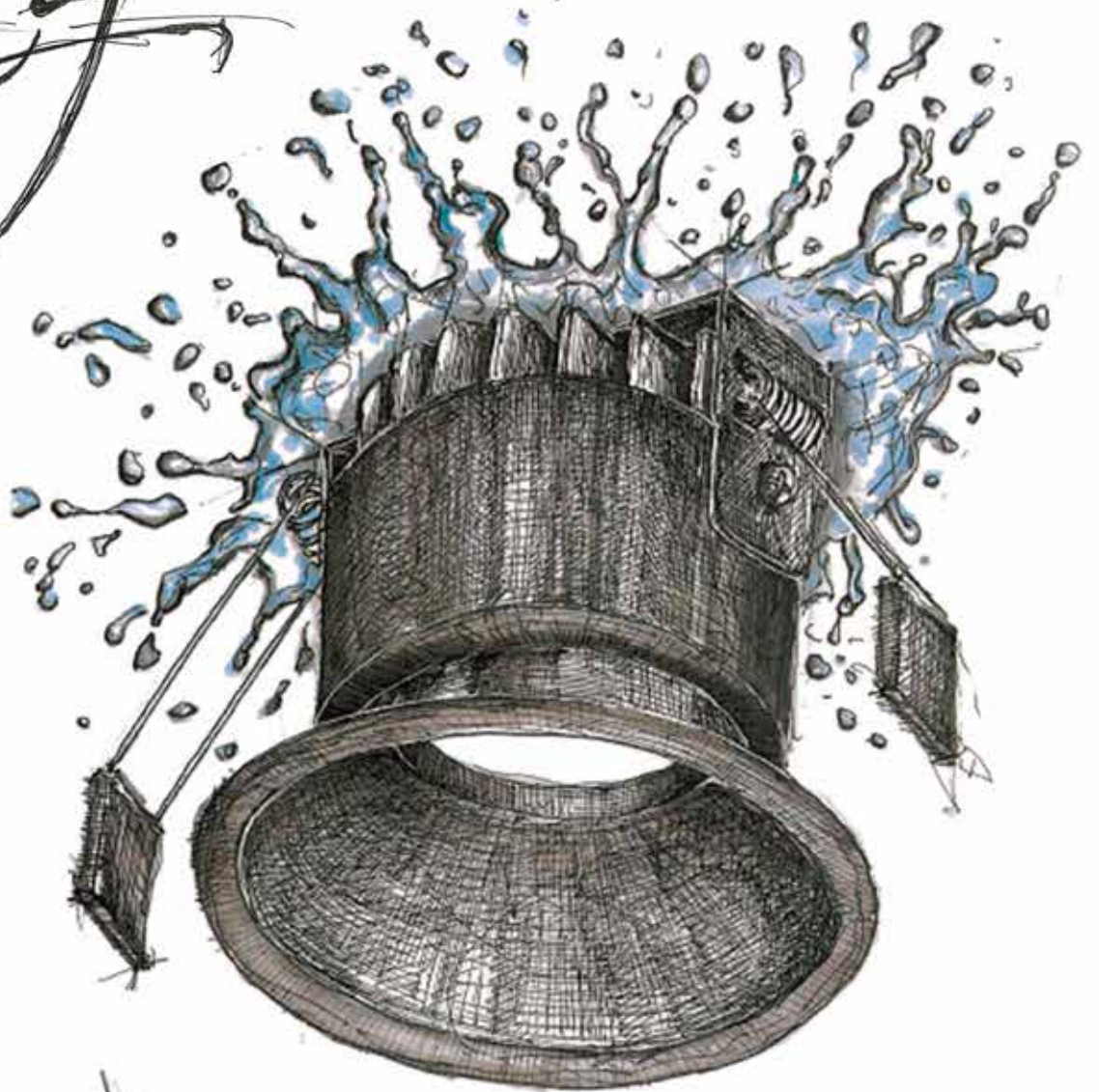
Options

Emergency Kit : Yes (1-3 hours)
 DALI Compatibility: Yes
 CRI: > 90





Lovy



Jp 65



SPOT LIGHTING LUMINAIRE

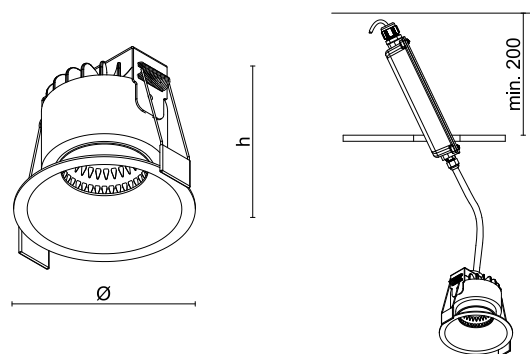


“ With its IP 65 Protection Degree, it is suitable for bathrooms and humid spaces. Thanks to its high light efficiency, it offers great savings when compared to traditional lighting. It does not glare thanks to its deeply located light source. It has a symmetrical spot effect in terms of light character and creates a light effect that floats from the ceiling. It is ideal for projects with high visual comfort needs. ”

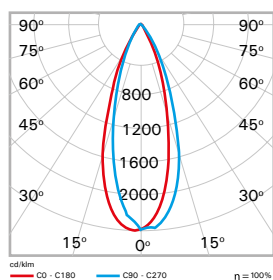
Technical Specifications

- Housing : Aluminium injection housing
- Optical : 24° / 36° / 60° reflector
- Light Source : COB LED
- Power : 6W / 8W / 10W / 12W / 14W / 20W
- Lumen : 641 lm / 800 lm / 984 lm / 1149 lm / 1378 lm / 1820 lm
- Input Voltage : 220-240V AC 50/60Hz
- Color Temp. : 2700K / 3000K / 4000K / 6500K
- CRI : > 80
- IP : IP65
- Installation : Recessed mounted
- Housing Colour : RAL 9005 / RAL 9006 / RAL 9016

Technical Drawing



Photometric Data



Dimensions (mm)

Ø	h
96	110

Ceiling Cut Dimensions

Ø 86mm

Options

- Emergency Kit : Yes (1-3 hours)
- DALI Compatibility: Yes
- CRI: > 90







SPOT LIGHTING LUMINAIRE

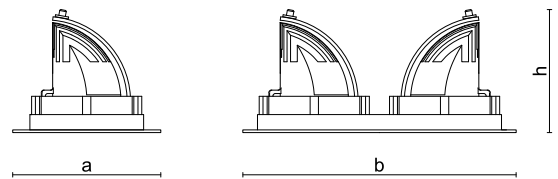


S-NAIL Double is ideal for the lighting of objects, walls and paintings thanks to its aesthetic body design and body orientable spot mechanism. Standing out with the optical variety and various lumen values it offers, this product becomes one of the basic equipment that may be used for lighting on sloped ceiling applications as it is movable and orientable.

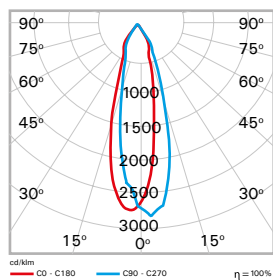
Technical Specifications

Housing	: Aluminium injection housing
Optical	
1X	: 15° / 30°
2X	: 15° / 30°
Light Source	: COB LED
Power	
1X	: 8W / 10W
2X	: 2x8W / 2x10W
Lumen	
1X	: 724 lm / 906 lm
2X	: 1448 lm / 1812 lm
Input Voltage	: 220-240V AC 50/60Hz
Color Temp.	: 2700K / 3000K / 4000K / 6500K
CRI	: > 80
IP	: IP20
Installation	: Recessed mounted
Housing Colour	: RAL 9005 / RAL 9006 / RAL 9016

Technical Drawing



Photometric Data



60°

Options

Emergency Kit : Yes (1-3 hours)
 DALI Compatibility: Yes
 CRI: > 90

Dimensions (mm)

SNAIL 1X

axb	h
121x121	100

Ceiling Cut Dimensions
105x105

SNAIL 2X

axb	h
231x121	100

Ceiling Cut Dimensions
210x105mm

SPOT LIGHTING LUMINAIRE

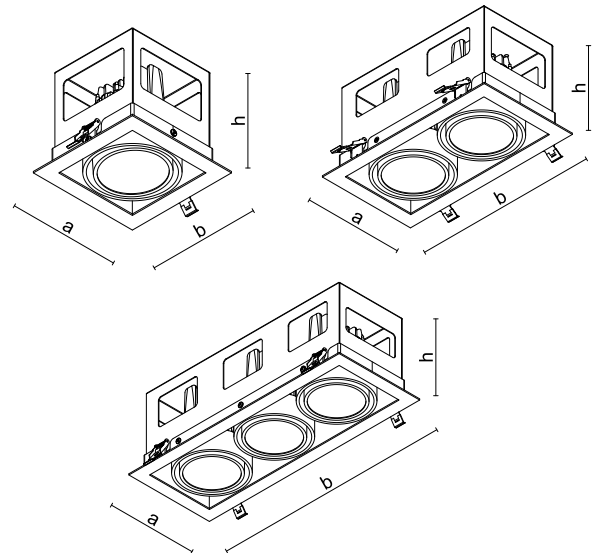


MATRIS is ideal for the lighting of stores, showrooms and retail areas with the right techniques thanks to its body design with conventional lines and double-ring orientable spot mechanism. The optical variety and various lumen values offered by it make MATRIS one of the basic equipment that may be used for accent lighting.

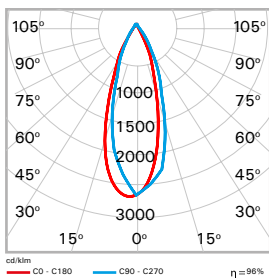
Technical Specifications 2x (For 2x Luminaire)

- Housing : Aluminium injection housing
- Optical : 24° / 40° / 60° reflector
- Light Source : COB LED
- Power : 2x20 W / 2x28 W / 2x36 W
- Lumen : 4840 lm / 6660 lm / 8350 lm
- Input Voltage : 220-240V AC 50/60Hz
- Color Temp. : 2700K / 3000K / 4000K / 6500K
- CRI : > 80
- IP : IP20
- Installation : Recessed mounted
- Housing Colour : RAL 9005 / RAL 9006 / RAL 9016

Technical Drawing



Photometric Data



Dimensions (mm)

Type	a	b	h
Matris 1x	155	155	160
Matris 2x	155	285	160
Matris 3x	155	405	160

Ceiling Cut Dimensions

Matris 1x	140mm x 140mm
Matris 2x	140mm x 265mm
Matris 3x	140mm x 385mm

Options

- Emergency Kit : Yes (1-3 hours)
- DALI Compatibility: Yes
- CRI: > 90



Kriza mini





SPOT LIGHTING LUMINAIRE

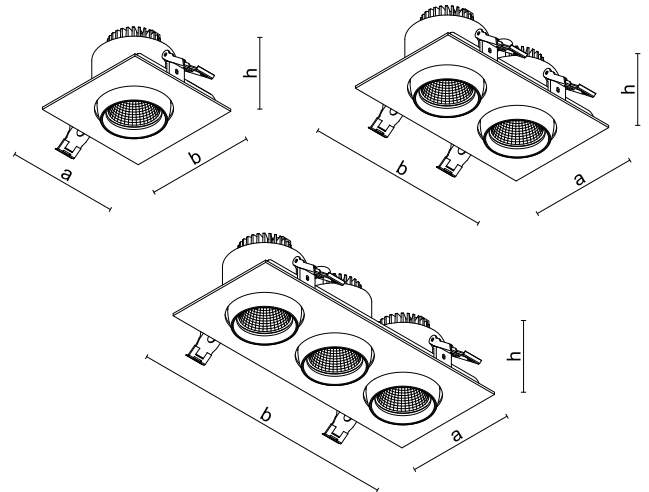


Kriza mini allows lighting of various interior spaces for residences and commercial application areas with its functional moving structure combined with innovation without comprising aesthetics and technique. It is also an ideal product that can be moved and directed to highlight curved ceiling applications, and other architectural features. You may select from alternative body and reflector colours that allow various combinations and that provide an extra touch to the spaces. It is a fun-to-use general lighting luminaire used in applications in areas such as residences, hotels and offices.

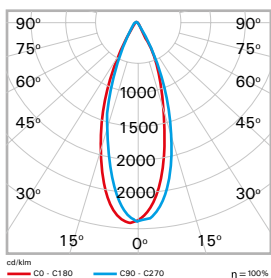
Technical Specifications 2x (For 2x Luminaire)

Housing	: Aluminium injection housing
Optical	: 24° / 40° / 60°
Light Source	: COB LED
Power	: 2x6W / 2x8W / 2x10W / 2x12W / 2x14W
Lumen	: 1384 lm / 1732 lm / 2198 lm / 2390 lm / 2740 lm
Input Voltage	: 220-240V AC 50/60Hz
Color Temp.	: 2700K / 3000K / 4000K / 6500K
CRI	: > 80
IP	: IP20
Installation	: Recessed mounted
Housing Colour	: RAL 9005 / RAL 9006 / RAL 9016

Technical Drawing



Photometric Data



60°

Dimensions (mm)

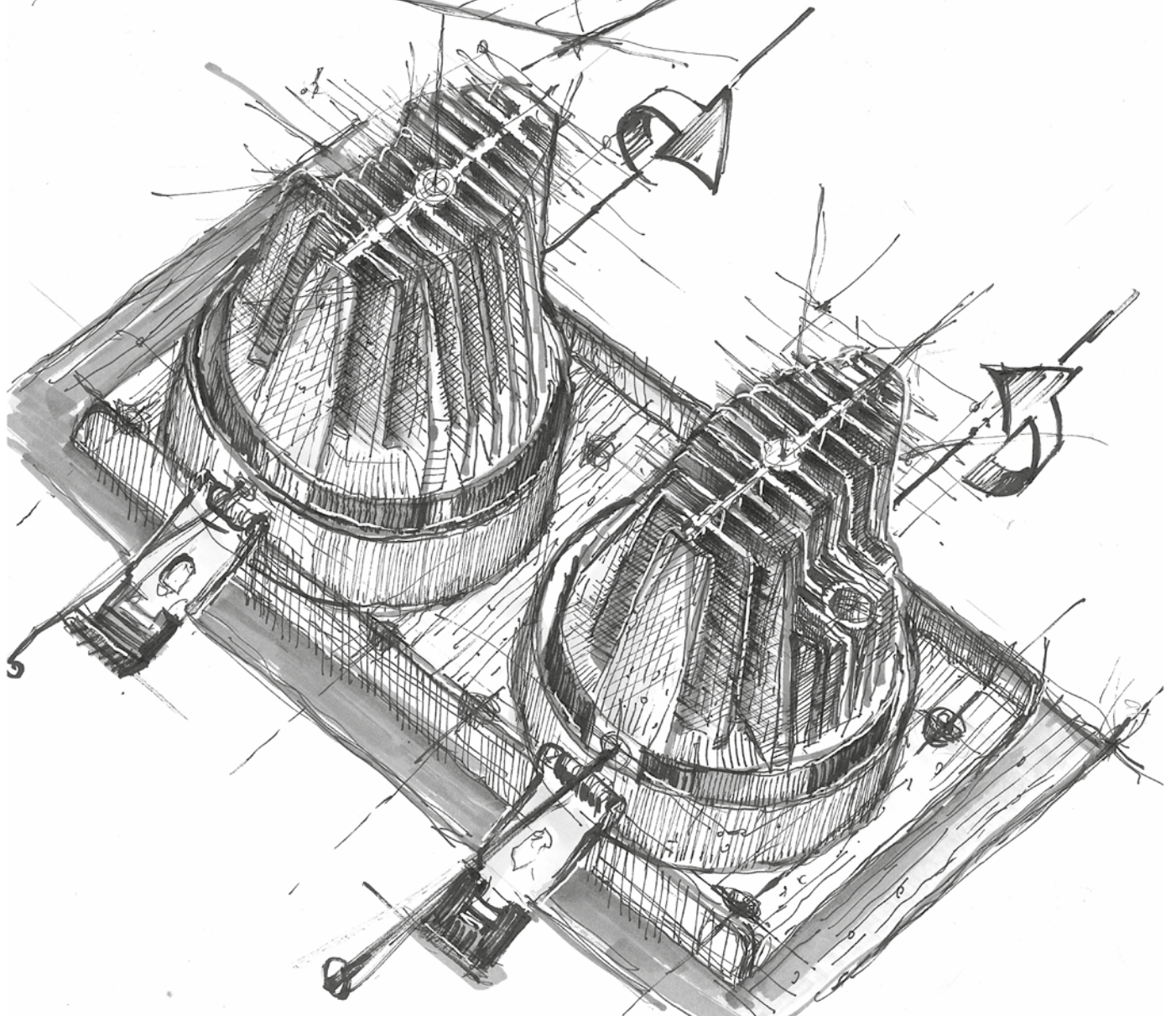
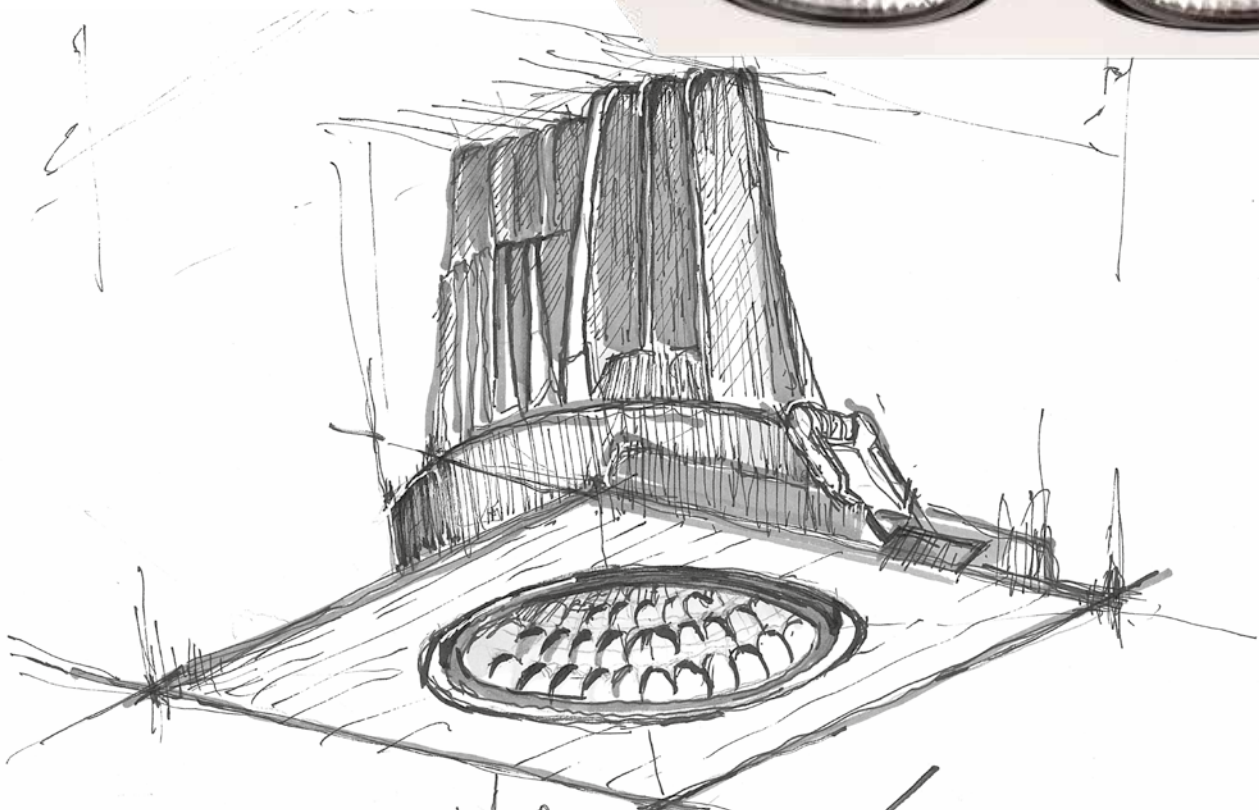
Type	a	b	h
KRIZA mini 1x	95	95	80
KRIZA mini 2x	95	165	80
KRIZA mini 3x	95	237	80

Ceiling Cut Dimensions

KRIZA mini 1x	87mm x 87mm
KRIZA mini 2x	87mm x 152mm
KRIZA mini 3x	87mm x 224mm

Options

Emergency Kit : Yes (1-3 hours)
 DALI Compatibility: Yes
 CRI: > 90





SPOT LIGHTING LUMINAIRE

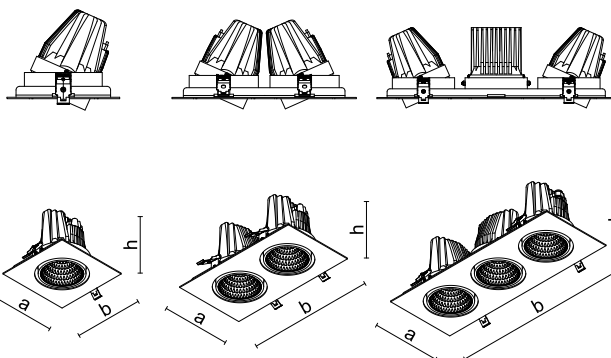


“KRIZA go along with the environments where accent lighting may be applied with its surface mounted frame that is not restricted inside its casing. Provides an ideal solution in all retail and display areas with the optical variety and various lumen values it offers.”

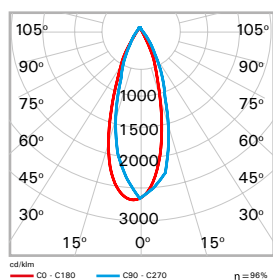
Technical Specifications 2x (For 2x Luminaire)

Housing	: Aluminium injection housing
Optical	: 24° / 40° / 60° reflector
Light Source	: COB LED
Power	: 2x20 W / 2x28 W / 2x36 W
Lumen	: 4840 lm / 6660 lm / 8350 lm
Input Voltage	: 220-240V AC 50/60Hz
Color Temp.	: 2700K / 3000K / 4000K / 6500K
CRI	: > 80
IP	: IP20
Installation	: Recessed mounted
Housing Colour	: RAL 9005 / RAL 9006 / RAL 9016

Technical Drawing



Photometric Data



Dimensions (mm)

Type	a	b	h
KRIZA 1x	155	155	120
KRIZA 2x	155	285	120
KRIZA 3x	155	410	120

Ceiling Cut Dimensions

KRIZA 1x	140mm x 140mm
KRIZA 2x	140mm x 265mm
KRIZA 3x	140mm x 390mm

Options

Emergency Kit : Yes (1-3 hours)
 DALI Compatibility: Yes
 CRI: > 90

PLANO 1x



SPOT LIGHTING LUMINAIRE

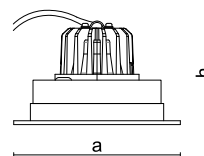


PLANO 1x is ideal for the lighting of offices, stores, showrooms and retail areas as well as hotels with the right techniques thanks to its body design with conventional lines and double-ring orientable spot mechanism. PLANO 1x is ideal for general lighting with the optical variety and various lumen values it offers.

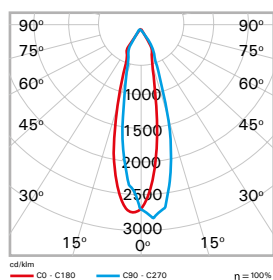
Technical Specifications

Housing	: Aluminium housing
Optical	: 15° / 30° Reflector
Light Source	: COB LED
Power	: 5 W / 8 W / 10 W / 12 W / 14 W
Lumen	: 496 lm / 794 lm / 992 lm / 1192 lm / 1388 lm
Input Voltage	: 220-240V AC 50/60Hz
Color Temp.	: 3000K / 4000K / 6500K
CRI	: > 80
IP	: IP20
Installation	: Recessed mounted
Housing Colour	: RAL 9005 / RAL 9006 / RAL 9016

Technical Drawing



Photometric Data



Dimensions (mm)

Type	a	b	h
Plano 1x	121	121	75

Ceiling Cut Dimensions

Plano 1x	105mm x 105mm
----------	---------------

Options

Emergency Kit : Yes (1-3 hours)
 DALI Compatibility: Yes
 CRI: > 90



PLANO 2x



SPOT LIGHTING LUMINAIRE

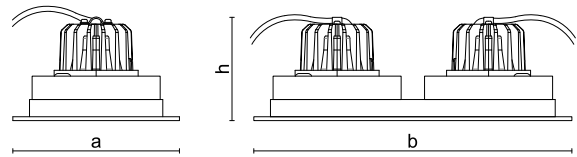


PLANO 2x provides maximum performance for various architectural areas with the optical variety and various lumen values it offers. Standing out with its body design with conventional lines and double-ring orientable spot mechanism, this product is ideal for the lighting of hotels with the right techniques. It is also ideal for offices, stores, showrooms and retail areas.

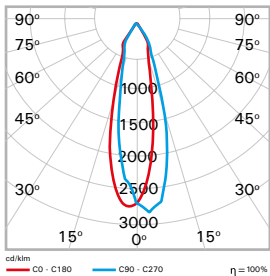
Technical Specifications 2x (For 2x Luminaire)

Housing	: Aluminium housing
Optical	: 15° / 30° Reflector
Light Source	: COB LED
Power	: 2x5 W / 2x8 W / 2x10 W / 2x12 W / 2x14 W
Lumen	: 8590 lm / 1424 lm / 1780 lm / 2136 lm / 2492 lm
Input Voltage	: 220-240V AC 50/60Hz
Color Temp.	: 3000K / 4000K / 6500K
CRI	: > 80
IP	: IP20
Installation	: Recessed mounted
Housing Colour	: RAL 9005 / RAL 9006 / RAL 9016

Technical Drawing



Photometric Data



Dimensions (mm)

Type	a	b	h
Plano 2x	121	231	75

Ceiling Cut Dimensions

Plano 2x	210mm x 105mm
----------	---------------

Options

Emergency Kit : Yes (1-3 hours)
 DALI Compatibility: Yes
 CRI: > 90



ROUND



SPOT LIGHTING LUMINAIRE

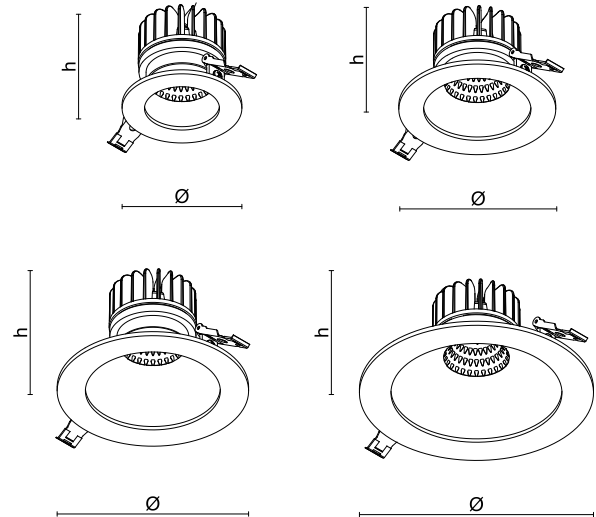


Round brings the advantages of high performance LEDs and optical quality with its elegant design and visual comfort. It is a solution-oriented spot light with its round body and four different sizes. It does not glare thanks to its deeply located light source. Body and reflector colours that brings an extra touch to the spaces can be selected for various combinations. Thanks to its high light efficiency, it offers great savings when compared to traditional lighting. It offers narrow and wide angle optical choices.

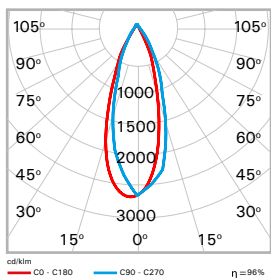
Technical Specifications

Housing	: Aluminium injection housing
Optical	: 24° / 36° / 60° reflector
Light Source	: COB LED
Power	: 6 W / 8 W / 10 W / 12 W / 14 W / 20 W
Lumen	: 636 lm / 848 lm / 1060 lm / 1272 lm / 1485 lm / 2040 lm
Input Voltage	: 220-240V AC 50/60Hz
Color Temp.	: 2700K / 3000K / 4000K / 6500K
CRI	: > 80
IP	: IP20
Installation	: Recessed mounted
Housing Colour	: RAL 9005 / RAL 9006 / RAL 9016

Technical Drawing



Photometric Data



Dimensions (mm)

	Ø	h
Round 3 inches	87	95
Round 4 inches	114	95
Round 5 inches	139	110
Round 6 inches	169	105

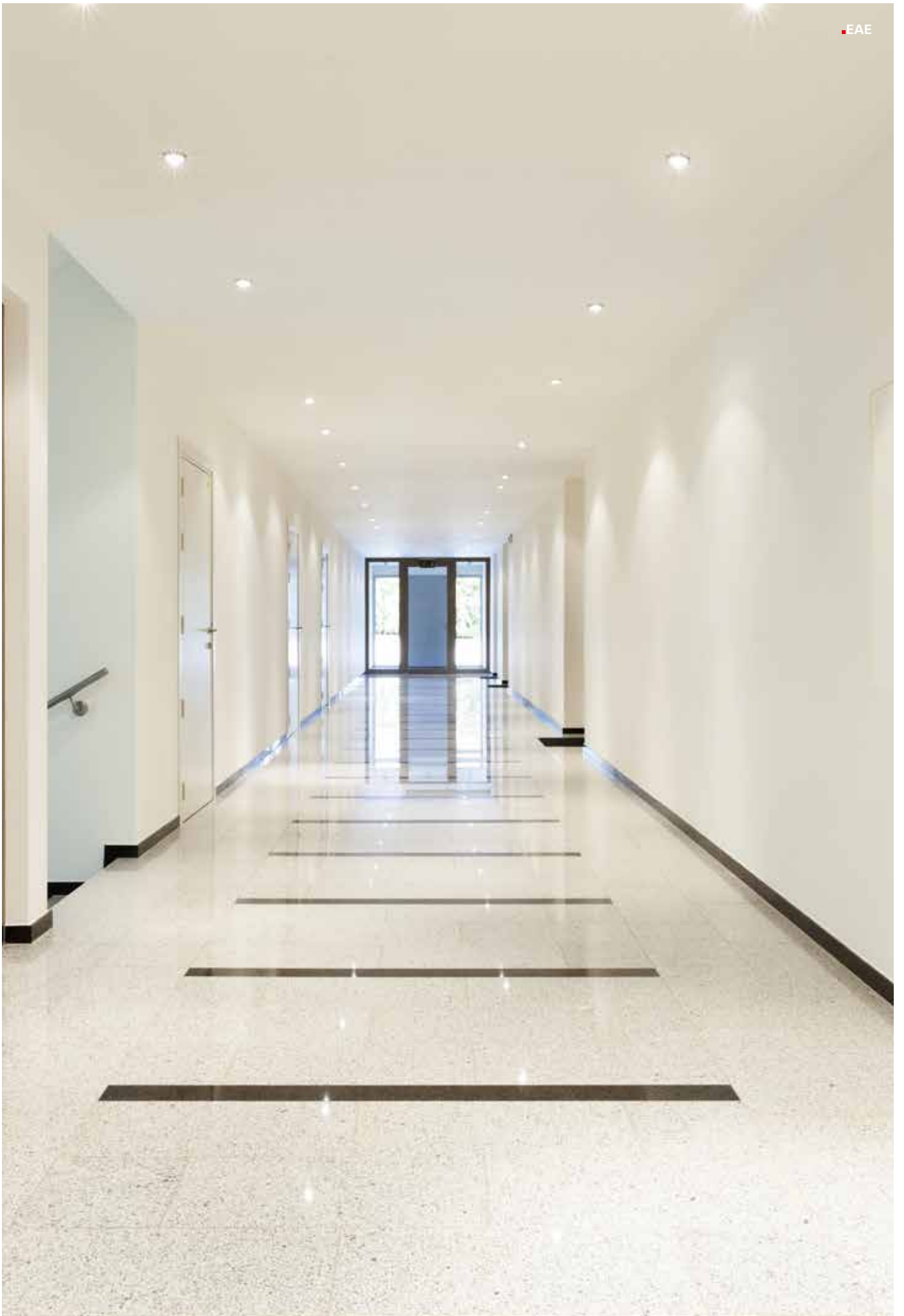
Ceiling Cut Dimensions

Round 3 inches	Ø 76mm
Round 4 inches	Ø 102mm
Round 5 inches	Ø 127mm
Round 6 inches	Ø 152mm

Options

Emergency Kit : Yes (1-3 hours)
 DALI Compatibility: Yes
 Colour Option: Colour of the frame and the reflector may be changed
 CRI: > 90





BISTA-Y V.2 Adjustable



SPOT LIGHTING LUMINAIRE

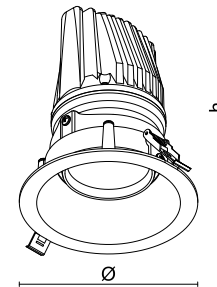


BISTA-Y V.2 Adjustable does not cause glare thanks to its deeply located light source. It is ideal for retail areas where an accent lighting is required thanks to its double-ring spot mechanism that can be oriented at each direction. Provides an effective lighting while saving energy with various optical options.

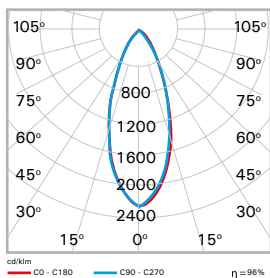
Technical Specifications

Housing	: Aluminium injection housing
Optical	: 24° / 40° reflector
Light Source	: COB LED
Cons.Power	: 20 W / 28 W / 36 W
Lumen	: 2420 lm / 3330 lm / 4175 lm
Input Voltage	: 220-240V AC 50/60Hz
Color Temp.	: 2700K / 3000K / 4000K / 6500K
CRI	: > 80
IP	: IP20
Installation	: Recessed mounted
Housing Colour	: RAL 9005 / RAL 9006 / RAL 9016

Technical Drawing



Photometric Data



Dimensions (mm)

Ø	h
140	165

Ceiling Cut Dimensions
Ø 124mm

Options

Emergency Kit : Yes (1-3 hours)
DALI Compatibility: Yes
CRI: > 90



BISTA-K V.2 Adjustable



SPOT LIGHTING LUMINAIRE

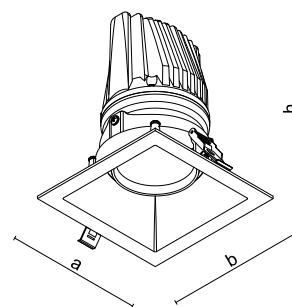


“*Standing out with its square body design, BISTA-K V.2 does not cause glare thanks to its deeply located light source. It is ideal for retail areas where an accent lighting is required thanks to its double-ring spot mechanism that can be oriented at each direction. Provides an effective lighting while saving energy with various optical options.*”

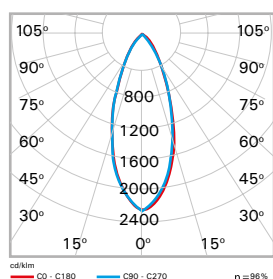
Technical Specifications

Housing	: Aluminium injection housing
Optical	: 24° / 40° reflector
Light Source	: COB LED
Power	: 20 W / 28 W / 36 W
Lumen	: 2420 lm / 3330 lm / 4175 lm
Input Voltage	: 220-240V AC 50/60Hz
Color Temp.	: 2700K / 3000K / 4000K / 6500K
CRI	: > 80
IP	: IP20
Installation	: Recessed mounted
Housing Colour	: RAL 9005 / RAL 9006 / RAL 9016

Technical Drawing



Photometric Data



Dimensions (mm)

a	b	h
137	137	165

Ceiling Cut Dimensions

124 x 124mm

Options

Emergency Kit : Yes (1-3 hours)
 DALI Compatibility: Yes
 CRI: > 90



BISTA-Y V.2 SBT



SPOT LIGHTING LUMINAIRE

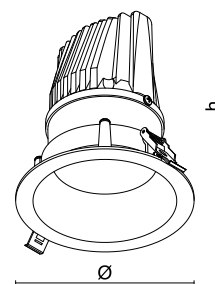


“Designed for accent lighting, BISTA-Y V.2 SBT minimizes the glare that may occur in the environment thanks to its deeply located light source. This product meets the lighting requirements of the retail areas in the best way”

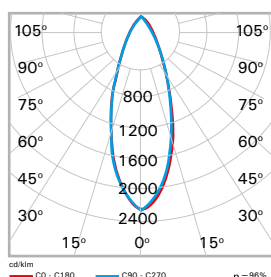
Technical Specifications

Housing	: Aluminium injection housing
Optical	: 24° / 40° / 60° reflector
Light Source	: COB LED
Power	: 20 W / 28 W / 36 W
Lumen	: 2420 lm / 3330 lm / 4175 lm
Input Voltage	: 220-240V AC 50/60Hz
Color Temp.	: 2700K / 3000K / 4000K / 6500K
CRI	: > 80
IP	: IP20
Installation	: Recessed mounted
Housing Colour	: RAL 9005 / RAL 9006 / RAL 9016

Technical Drawing



Photometric Data



Dimensions (mm)

Ø	h
140	160

Ceiling Cut Dimensions

Ø 124mm

Options

Emergency Kit : Yes (1-3 hours)
DALI Compatibility: Yes
CRI: > 90





SPOT LIGHTING LUMINAIRE

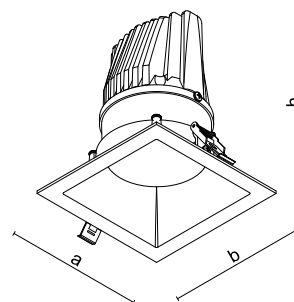


BISTA-Y V.2 SBT does not cause glare thanks to its deeply located light source. It is ideal for retail areas where an accent lighting is required. This product provides an effective lighting while saving energy with its various optical options.

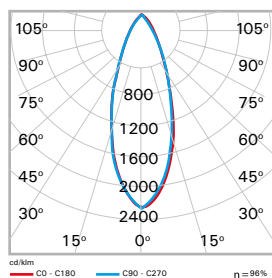
Technical Specifications

Housing	: Aluminium injection housing
Optical	: 24° / 40° / 60° reflector
Light Source	: COB LED
Power	: 20 W / 28 W / 36 W
Lumen	: 2420 lm / 3330 lm / 4175 lm
Input Voltage	: 220-240V AC 50/60Hz
Color Temp.	: 2700K / 3000K / 4000K / 6500K
CRI	: >80
IP	: IP20
Installation	: Recessed mounted
Housing Colour	: RAL 9005 / RAL 9006 / RAL 9016

Technical Drawing



Photometric Data



Dimensions (mm)

a	b	h
137	137	160

Ceiling Cut Dimensions

124 x 124mm

Options

Emergency Kit : Yes (1-3 hours)
 DALI Compatibility: Yes
 CRI: >90



SPOT LIGHTING LUMINAIRE

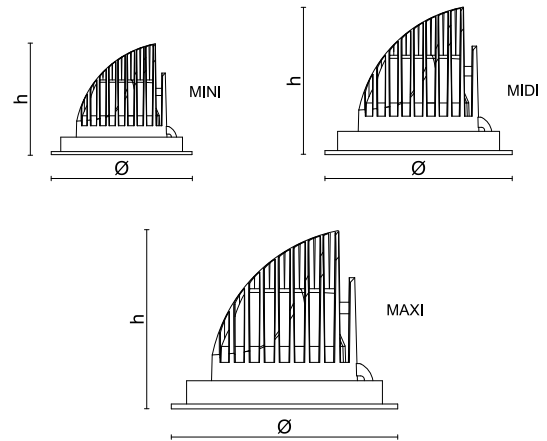


S-NAIL is ideal for the lighting of objects, walls and paintings thanks to its aesthetic body design and body orientable spot mechanism. Standing out with the optical variety and various lumen values it offers, this product becomes one of the basic equipment that may be used for lighting on sloped ceiling applications as it is movable and orientable.

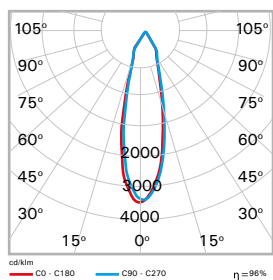
Technical Specifications

- Housing : Aluminium injection housing
- Optical
 - Mini : 15° / 30°
 - Midi : 15° / 30° / 45° / 60°
 - Maxi : 15° / 30° / 45° / 60°
- Light Source : COB LED
- Power
 - Mini : 8W / 10W
 - Midi : 20W / 30W
 - Maxi : 20W / 30W
- Lumen
 - Mini : 724 lm / 906 lm
 - Midi : 2017 lm / 3026 lm
 - Maxi : 2017 lm / 3026 lm
- Input Voltage : 220-240V AC 50/60Hz
- Color Temp. : 2700K / 3000K / 4000K / 6500K
- CRI : > 80
- IP : IP20
- Installation : Recessed mounted
- Housing Colour : RAL 9005 / RAL 9006 / RAL 9016

Technical Drawing



Photometric Data



Dimensions (mm)

S-NAIL Mini		S-NAIL Midi		S-NAIL Maxi	
Ø	h	Ø	h	Ø	h
115	85	153	125	185	146
Ceiling Cut Dimensions					
Ø 100mm		Ø 145mm		Ø 170mm	

Options

- Emergency Kit : Yes (1-3 hours)
- DALI Compatibility: Yes
- CRI: > 90

VENO Surface Mounted



SPOT LIGHTING LUMINAIRE

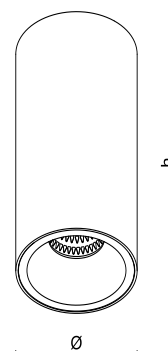


“ VENO is designed as based on the basic cylindrical form, and it may be manufactured with three different heights. It helps to create a warm and intimate atmosphere by creating a linear light distribution, sharp shades and dramatical lighting zones. It does not glare thanks to its deeply located light source. ”

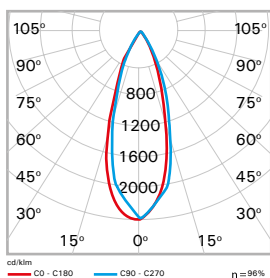
Technical Specifications

- Housing : Aluminium housing
- Optical : 24° / 36° / 60° reflector
- Light Source : COB LED
- Power : 6 W / 8 W / 10 W / 12 W / 14 W
- Lumen : 636 lm / 848 lm / 1060 lm / 1272 lm / 1485 lm
- Input Voltage : 220-240V AC 50/60Hz
- Color Temp. : 2700K / 3000K / 4000K / 6500K
- CRI : > 80
- IP : IP20
- Installation : Surface Mounted
- Housing Colour : RAL 9005 / RAL 9006 / RAL 9016

Technical Drawing



Photometric Data



Dimensions (mm)

Type	Ø	h
Veno 180	100	180
Veno 240	100	240
Veno 425	100	425

Options

- Emergency Kit: None
- DALI Compatibility: Yes
- Diffuser: Opal
- CRI: > 90



LEDBAR SLIM-60



LED LIGHTING LUMINAIRE

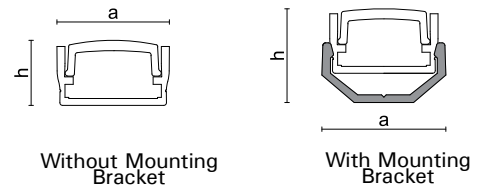


“LED Bar Slim, which is a perfect choice for concealed lighting applications, offers ideal lighting for the accent desired to be created in architectural spaces with its alternative sizes offering different dimensions.”

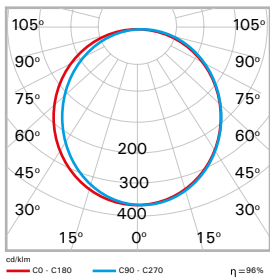
Technical Specifications

- Housing : Aluminium extrusion housing
- Optical : Opal Polycarbonate Diffuser
- Light Source : SMD LED
- Power : 4W (30cm) / 6W (40cm) / 7W (50cm) / 9W (60cm) / 10W (70cm) / 12W (80cm) / 13W (90cm) / 14W (100cm) / 16W (110cm) / 17W (120cm) / 19W (130cm) / 20W (140cm) / 22W (150cm)
- Lumen : 300 lm / 450 lm / 525 lm / 675lm / 750lm / 900 lm / 975 lm / 1050 lm / 1200 lm / 1275 lm / 1425 lm / 1500 lm /1650lm
- Input Voltage : 220-240V AC 50/60Hz
- Color Temp. : 2700K / 3000K / 4000K / 5000K / 6500K
- CRI : > 80
- IP : IP20
- Installation : Surface Mounted
- Housing Colour : Eloxal

Technical Drawing



Photometric Data



Dimensions (mm)

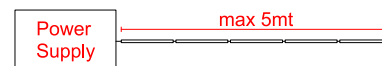
Without Mounting Bracket			With Mounting Bracket		
Length	a	h	Length	a	h
30cm	14.7	8.5	30cm	16.2	12.25
40cm	14.7	8.5	40cm	16.2	12.25
50cm	14.7	8.5	50cm	16.2	12.25
60cm	14.7	8.5	60cm	16.2	12.25
70cm	14.7	8.5	70cm	16.2	12.25
80cm	14.7	8.5	80cm	16.2	12.25
90cm	14.7	8.5	90cm	16.2	12.25
100cm	14.7	8.5	100cm	16.2	12.25
110cm	14.7	8.5	110cm	16.2	12.25
120cm	14.7	8.5	120cm	16.2	12.25
130cm	14.7	8.5	130cm	16.2	12.25
140cm	14.7	8.5	140cm	16.2	12.25
150cm	14.7	8.5	150cm	16.2	12.25

Options

- Emergency Kit : Yes (1-3 hours) (External)
- Driver: On/Off - DALI (External)
- CRI: > 90

Note : It shall be supplied with a power source for 5 meters to a single direction from a single point, and a maximum of 5 + 5 meters to double direction from a single point.

Maximum of 5 meters to single direction from a single point



Maximum of 5 + 5 meters to double direction from a single point







LED LIGHTING LUMINAIRE



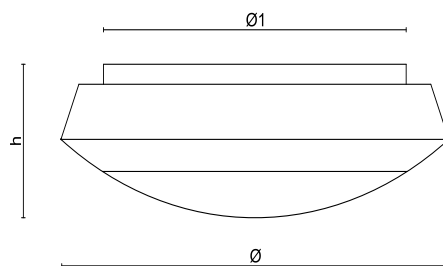
Standing out with its user-friendly LED infrastructure, Orion is ideal for illumination of spaces such as stairwells, halls, technical spaces, warehouses, etc.



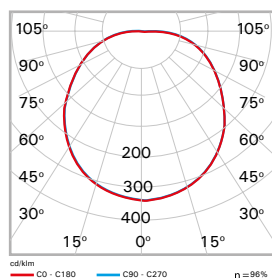
Technical Specifications

Housing	: Polycarbonate Body
Optical	: Opal Diffuser
Light Source	: Mid Power LED
Power	: 17 W
Lumen	: 2036 lm
Input Voltage	: 220-240V AC 50/60Hz
Color Temp.	: 3000K / 4000K / 6500K
CRI	: > 80
IP	: IP66
Installation	: Surface Mounted

Technical Drawing



Photometric Data



Dimensions (mm)

	Ø	h	Ø1
Standard	350	118	260

Options

Emergency Kit : Yes (1-3 hours)
 DALI Compatibility: Yes
 Sensor : Yes (Scanning area 4x4 m)





LED LIGHTING LUMINAIRE

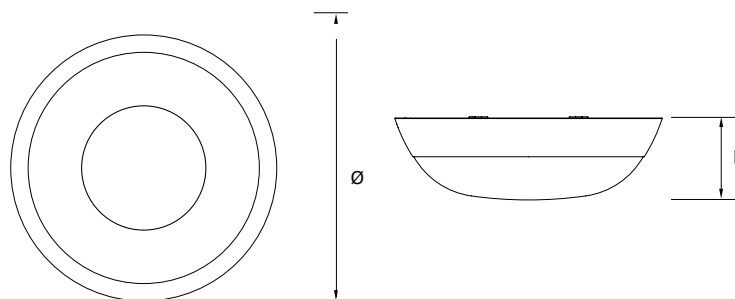


SATURN V.4 may be used in stairwells, halls, plant spaces, storehouses, etc. with its body that offers a minimal design and functional usage capabilities for its user. Motion sensor and a 1-hour emergency operation kit may be selected as an option.

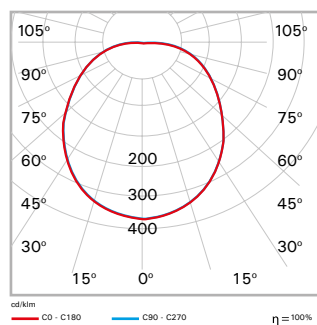
Technical Specifications

Housing	: Aluminium housing
Diffuser	: Opal diffuser
Light Source	: Mid Power LED
Power	: 16 W
Lumen	: 1549 lm
Input Voltage	: 220-240V AC 50/60Hz
Color Temp.	: 3000K / 4000K / 5700K
CRI	: > 80
IP	: IP65
Installation	: Surface Mounted
Housing Colour	: RAL 9016

Technical Drawing



Photometric Data

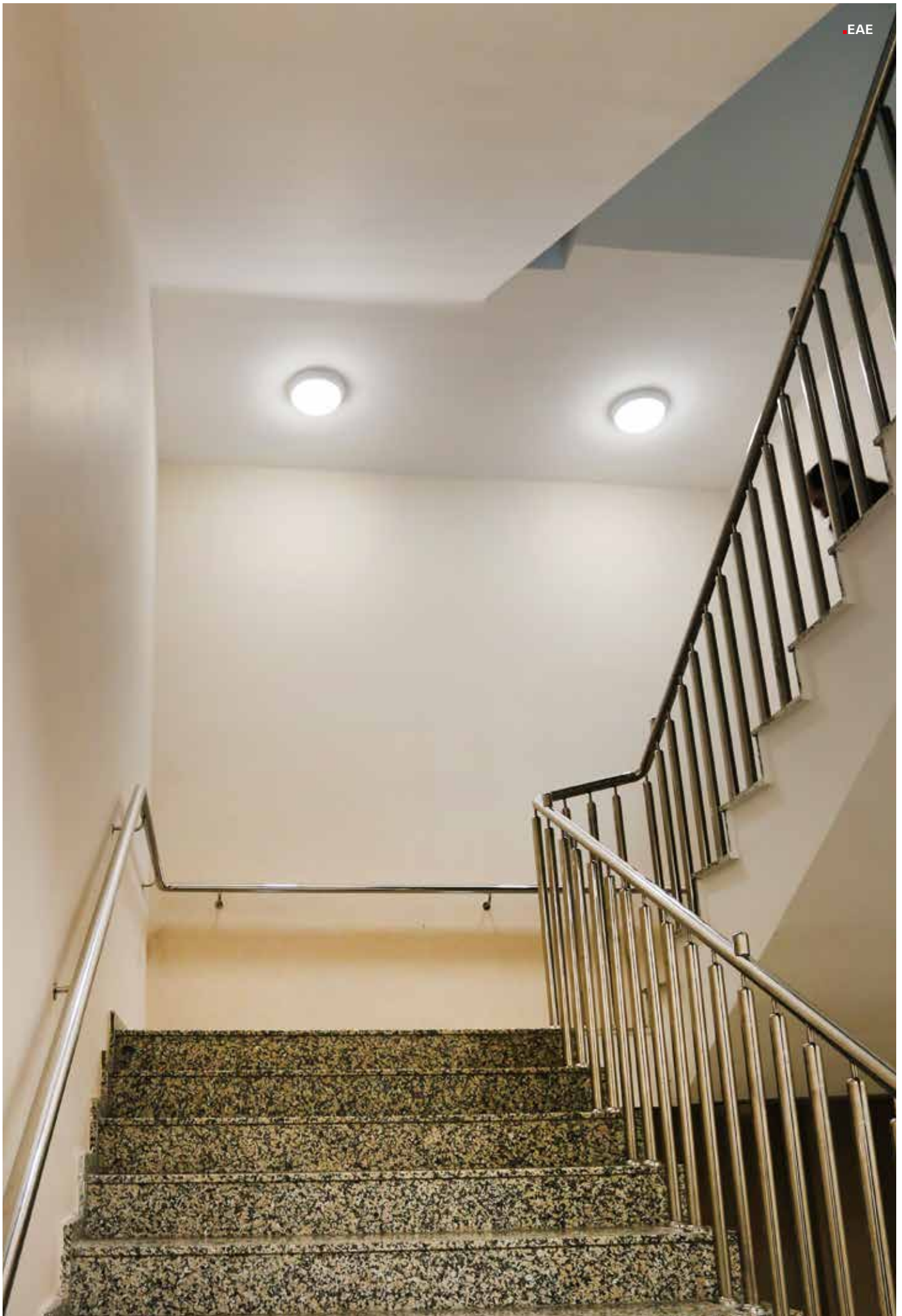


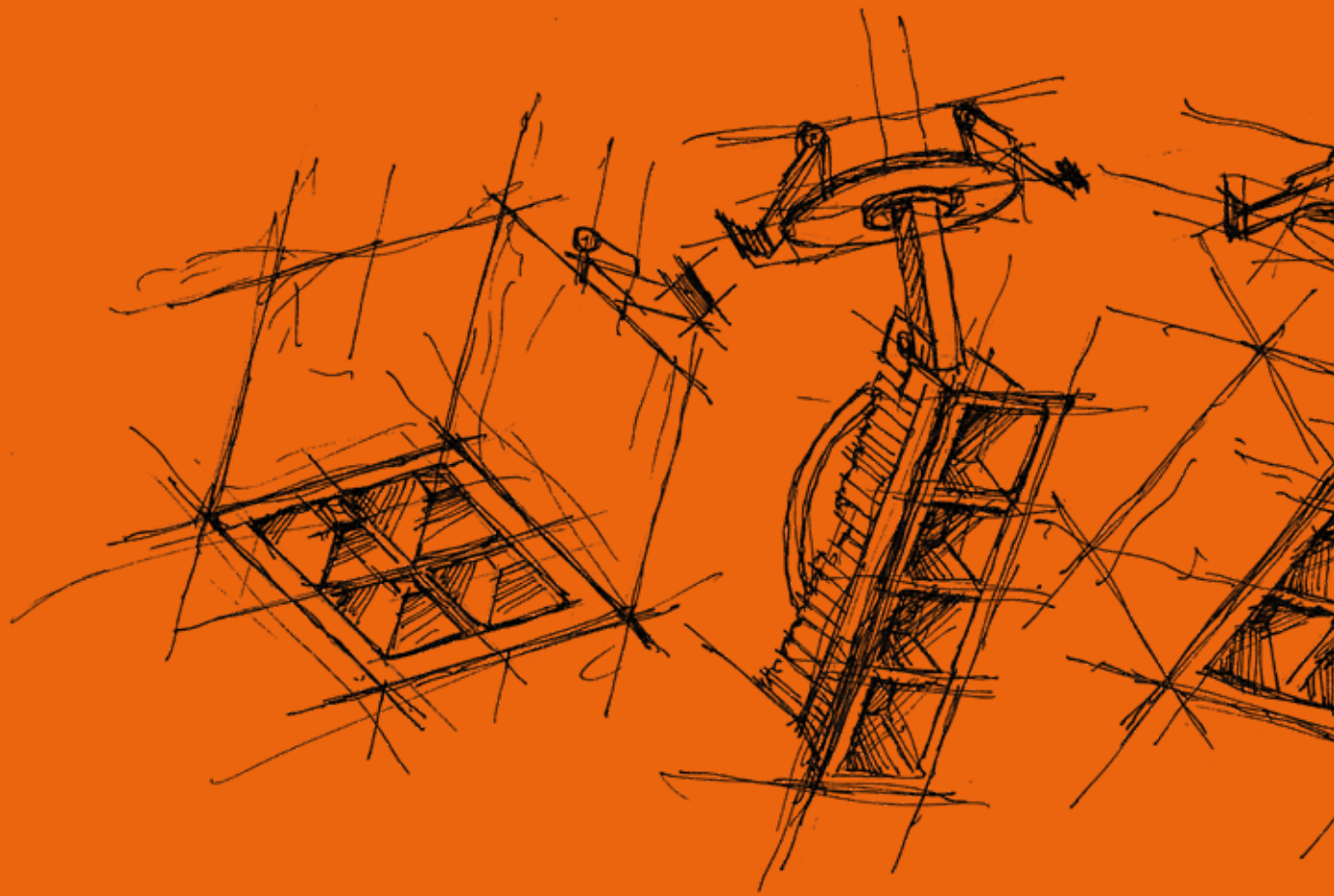
Dimensions (mm)

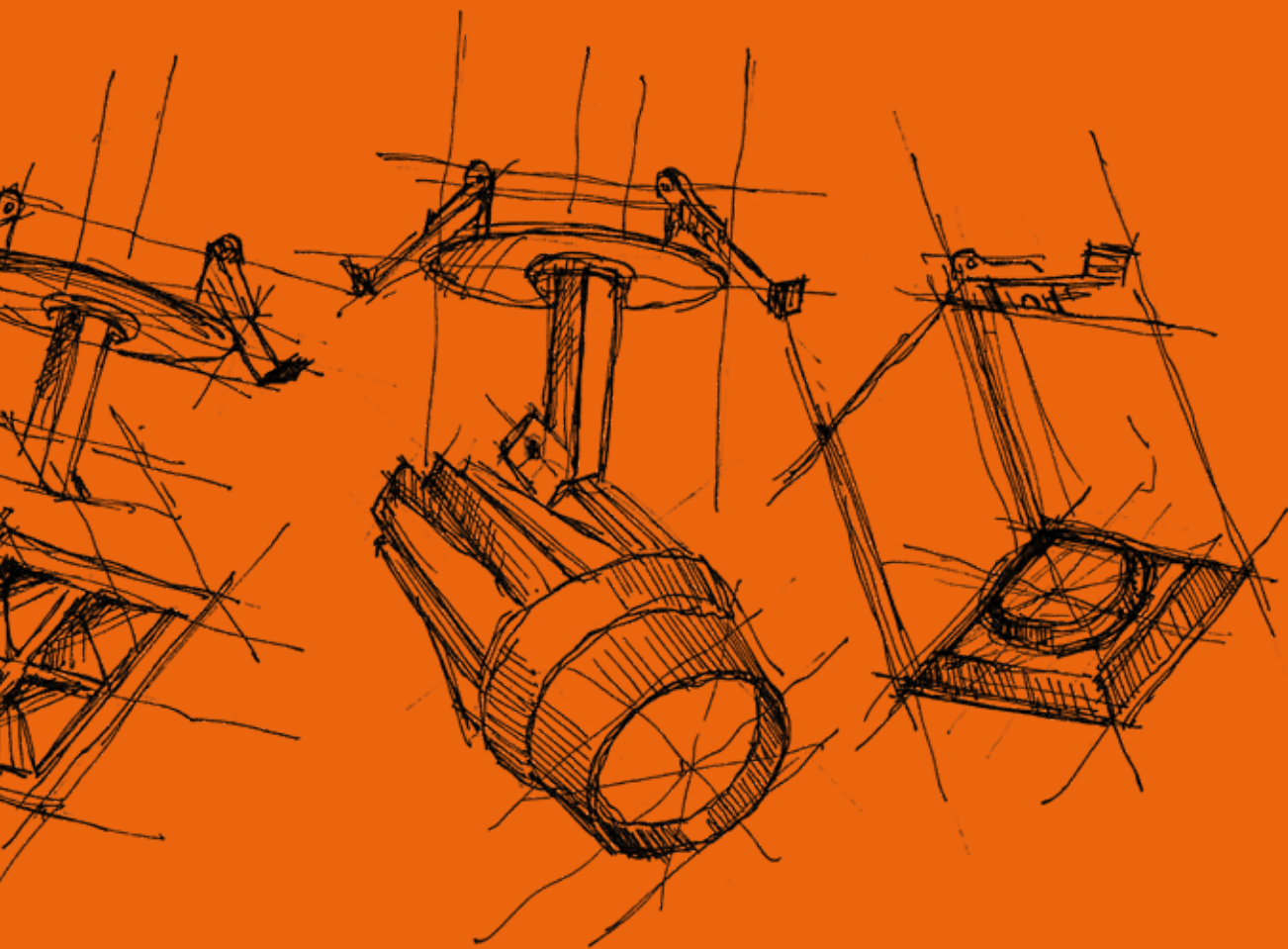
Type	ø	h
18 W	327.5	103

Options

Emergency Kit : Yes (1-3 hours)
 DALI Compatibility: Yes
 Sensor : Yes (Scanning area 4x4 m)

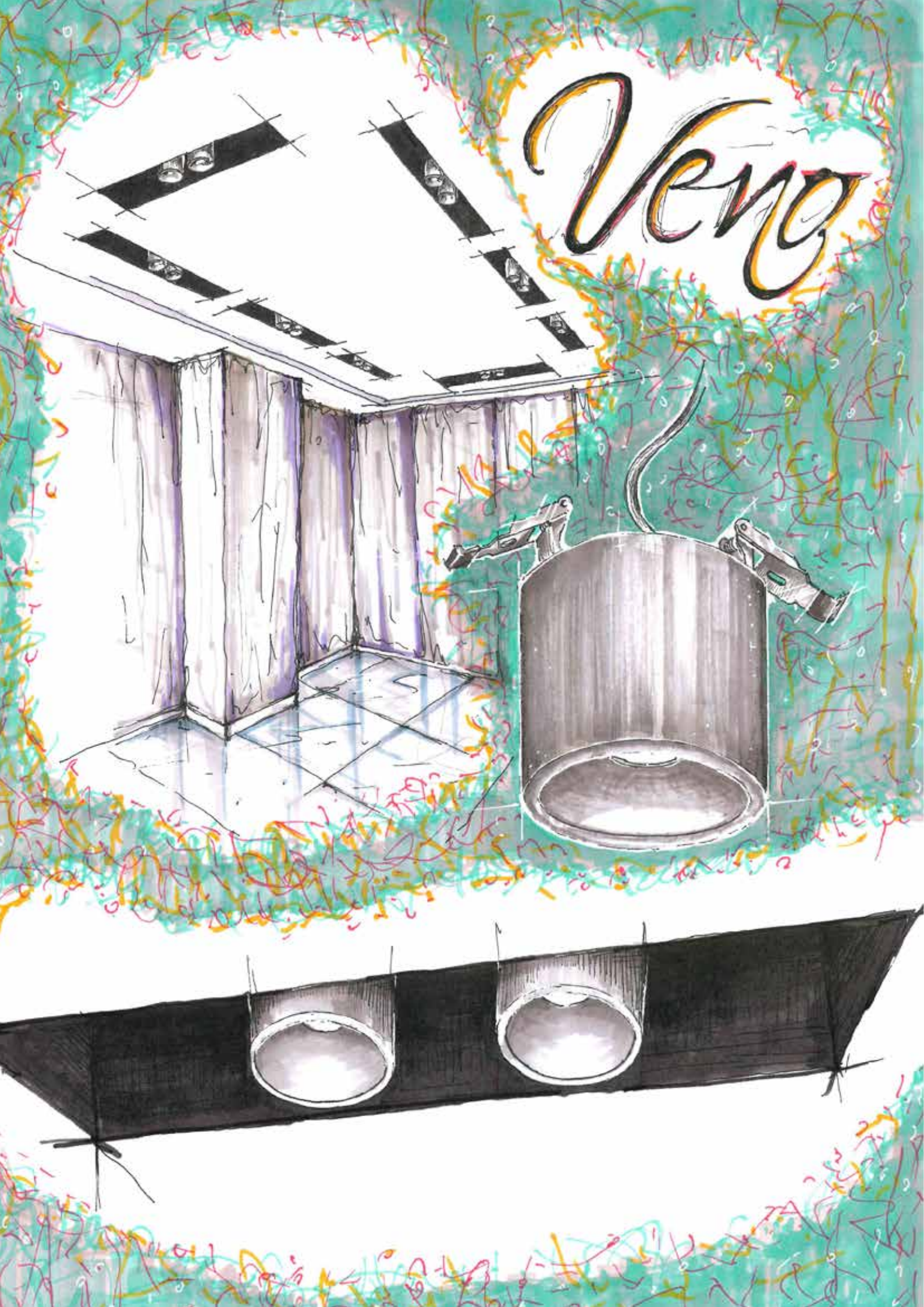






SEMI RECESSED MOUNTED
LUMINAIRES

Veno



VENO V.2 Semi Recessed Mounted



SEMI RECESSED MOUNTED SPOT LIGHTING LUMINAIRE

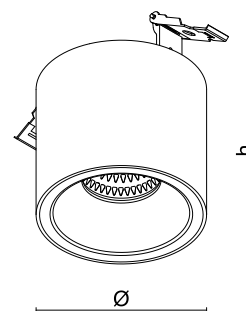


This is a high-performance luminaire standing out with its functionality and optional dimensions. It has an elegant appearance with its cylindrical and minimal design. It does not glare thanks to its deeply located light source. Thanks to its high light efficiency, it offers great savings when compared to traditional lighting. Reflector and its frame can have different colours. It offers narrow and wide angle optical choices. Offering ease of installation on plasterboard ceilings, this product may be used in meeting rooms, offices, exhibition halls, museums and hotels, etc. for zone-specific and general lighting.

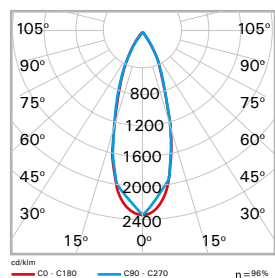
Technical Specifications

Housing	: Extruded aluminum housing
Optical	: 24° / 36° / 60° reflector
Light Source	: COB LED
Power	: 6 W / 8 W / 10 W / 12 W / 14 W
Lumen	: 636 lm / 848 lm / 1060 lm / 1272 lm / 1485 lm
Input Voltage	: 220-240V AC 50/60Hz
Color Temp.	: 2700K / 3000K / 4000K / 6500K
CRI	: > 80
IP	: IP20
Installation	: Semi Recessed mounted
Housing Colour	: RAL 9005 / RAL 9006 / RAL 9016

Technical Drawing



Photometric Data



Dimensions (mm)

Ø	h
100	90

Ceiling Cut Dimension
 Ø 90

Options

Emergency Kit : Yes (1-3 hours)
 DALI Compatibility: Yes
 Diffuser: Opal
 CRI: > 90



BRICK Semi Recessed Mounted



SEMI RECESSED MOUNTED SPOT LIGHTING LUMINAIRE

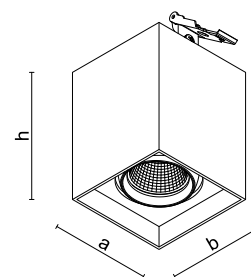


“With its high performance besides its functionality in different project areas, Brick semi Recessed mounted has an aesthetic design with its minimal body in square form. It does not cause glare thanks to its deeply located light source. This product, which can be offered with special solutions in architectural areas, brings a classy appearance to the atmosphere of the environment by meeting the general and zone-specific lighting requirements of the interior areas with its narrow and wide angle optical options.”

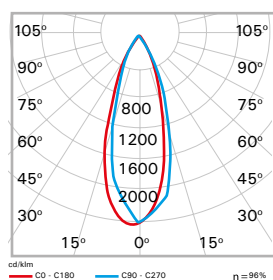
Technical Specifications

Housing	: Aluminium injection housing
Optical	: 24° / 36°
Light Source	: COB LED
Power	: 6W / 8W / 10W / 12W / 14W
Lumen	: 692 lm / 866 lm / 1099 lm / 1195 lm / 1370 lm
Input Voltage	: 220-240V AC 50/60 Hz
Color Temp.	: 2700K / 3000K / 4000K / 6500K
CRI	: > 80
IP	: IP20
Installation	: Semi Recessed mounted
Housing Colour	: RAL 9005 / RAL 9006 / RAL 9016

Technical Drawing



Photometric Data



Dimensions (mm)

a	b	h
80	80	100

Ceiling Cut Dimensions
Ø 68

Options

- Emergency Kit : Yes (1-3 hours)
- DALI Compatibility: Yes
- CRI: > 90



GIZA Semi Recessed Mounted



SEMI RECESSED MOUNTED SPOT LIGHTING LUMINAIRE

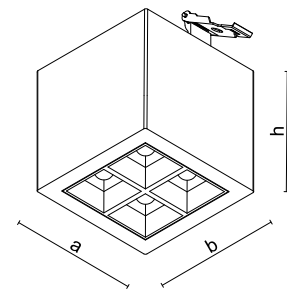


This is an architectural lighting solution with a minimal design used for illumination of different interior spaces. Giza semi Recessed mounted is used for illumination of areas such as retail stores, museums, exhibition halls, meeting rooms, and corridors. It does not cause glare with thanks to its deep reflector structure.

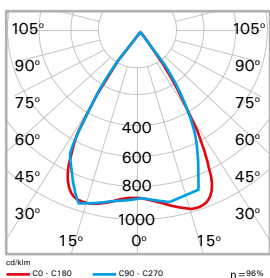
Technical Specifications

Housing	: Aluminium injection housing
Optical	: 50° / 80° Lens + Reflector (Black)
Light Source	: SMD LED
Power	: 6W / 8 W / 10 W / 12 W / 14 W / 20 W / 24 W / 28 W
Lumen	: 709 lm / 894 lm / 1076 lm / 1209 lm / 1376 lm / 2200 lm / 2539 lm / 2963 lm
Input Voltage	: 220-240V AC 50/60 Hz
Color Temp.	: 2700K / 3000K / 4000K / 6500K
CRI	: > 80
IP	: IP20
Installation	: Semi Recessed mounted
Housing Colour	: RAL 9005 / RAL 9006 / RAL 9016

Technical Drawing



Photometric Data



Dimensions (mm)

a	b	h
105	105	100

Ceiling Cut Dimension
 Ø 76

Options

Emergency Kit : Yes (1-3 hours)
 DALI Compatibility: Yes
 CRI: > 90



GIZA SLIM Semi Recessed Mounted



SEMI RECESSED MOUNTED SPOT LIGHTING LUMINAIRE

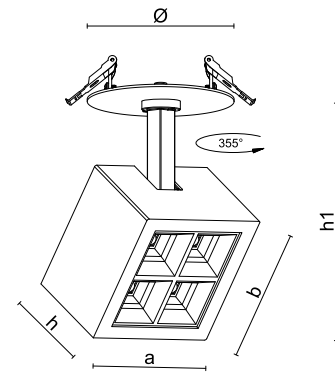


This is an architectural lighting solution with a minimal design used for illumination of different interior spaces. Giza semi Recessed mounted is used for illumination of areas such as retail stores, museums, exhibition halls, meeting rooms, and corridors. It does not cause glare with thanks to its deep reflector structure.

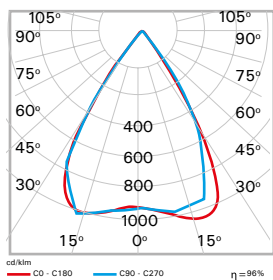
Technical Specifications

Housing	: Aluminium injection housing
Optical	: 50° / 80° Lens Reflector (Black)
Light Source	: SMD LED
Power	: 6W / 8 W / 10 W / 12 W / 14 W / 20 W / 24 W / 28 W
Lumen	: 709 lm / 894 lm / 1076 lm / 1209 lm / 1376 lm / 2200 lm / 2539 lm / 2963 lm
Input Voltage	: 220-240V AC 50/60 Hz
Color Temp.	: 2700K / 3000K / 4000K / 6500K
CRI	: > 80
IP	: IP20
Installation	: Semi Recessed mounted
Housing Colour	: RAL 9005 / RAL 9006 / RAL 9016

Technical Drawing



Photometric Data



Dimensions (mm)

a	b	h	h1	Ø
105	105	70	173	90

Ceiling Cut Dimension
Ø 76

Options

Emergency Kit : Yes (1-3 hours)
DALI Compatibility: Yes
CRI: > 90



STORM Semi Recessed Mounted



SEMI RECESSED MOUNTED LUMINAIRE

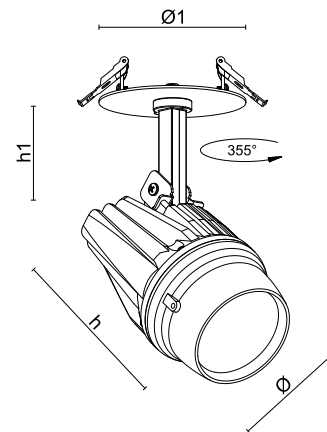


Included among the new members of Semi Recessed Mounted family, Storm Semi Recessed Mounted meets the lighting requirements of retail stores and exhibition halls at the maximum level. Offers simple solutions for projects that you want to create an accent lighting with different optical and lumen values.

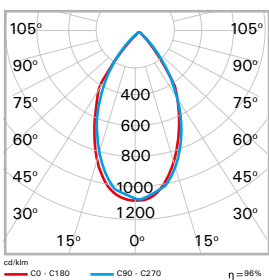
Technical Specifications

- Housing : Aluminium body
- Optical : 24° / 40° reflector
- Light Source : COB LED
- Power : 20 W / 28 W / 36 W
- Lumen : 2420 lm / 3330 lm / 4176 lm
- Input Voltage : 220-240V AC 50/60Hz
- Color Temp. : 2700K / 3000K / 4000K / 6500K
- CRI : > 80
- IP : IP20
- Installation : Semi Recessed mounted
- Housing Colour : RAL 9005 / RAL 9006 / RAL 9016

Technical Drawing



Photometric Data



Dimensions (mm)

h	h1	Ø	Ø1
138	48	90	90

Ceiling Cut Dimensions

Ø 76mm

Options

- Emergency Kit : Yes (1-3 hours)
- DALI Compatibility: Yes
- CRI: > 90



GIZA L4 Semi Recessed Mounted Vertical



SEMI RECESSED MOUNTED LUMINAIRES

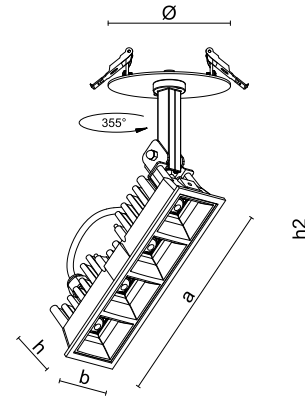


This is an architectural lighting solution with a minimal design used for illumination of different interior spaces. Giza L4 Recessed Mounted Vertical is used for illumination of areas such as retail stores, museums, exhibition halls, meeting rooms, and corridors. It does not cause glare with thanks to its deep reflector structure. Used for interior lighting, Giza L4 Recessed Mounted Vertical ensures light distribution at 50° or 80° thanks to its high-efficiency lenses with special optic design.

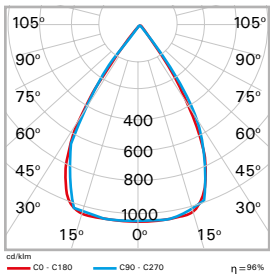
Technical Specifications

Housing	: Aluminium injection housing
Optical	: 50° Lens / 80° Lens + Reflector (Black)
Light Source	: SMD LED
Power	: 6W / 8W / 10W / 12W / 14W
Lumen	: 709 lm / 894 lm / 1076 lm / 1209 lm / 1376 lm
Input Voltage	: 220-240V AC 50/60 Hz
Color Temp.	: 2700K / 3000K / 4000K / 6500K
CRI	: > 80
IP	: IP20
Installation	: Semi Recessed Mounted
Housing Colour	: RAL 9005 / RAL 9006 / RAL 9016

Technical Drawing



Photometric Data



Dimensions (mm)

a	b	h	Ø	h2
170	50	52	90	238

Ceiling Cut Dimensions

Ø 76mm

Options

Emergency Kit: Yes (1-3 Hours)
 DALI Compatibility: Yes
 CRI: > 90



GIZA L4 Semi Recessed Mounted Horizontal



SEMI RECESSED MOUNTED LUMINAIRES

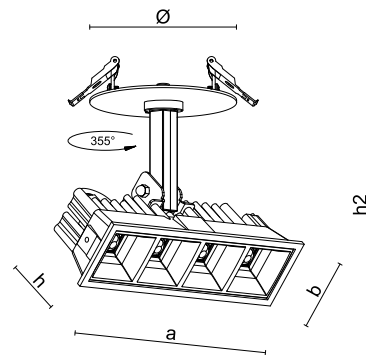


Offering light distribution at an angle of 50° or 80° thanks to its lenses with special optic design, Giza L4 Recessed Mounted Horizontal is used for illumination of architectural areas. Preventing glare with its reflector structure, this product provides a perfect performance in the illumination of areas such as retail stores, museums, hotels, meeting rooms, and corridors.

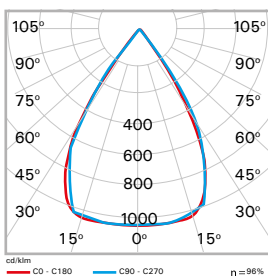
Technical Specifications

Housing	: Aluminium injection housing
Optical	: 50° Lens / 80° Lens + Reflector (Black)
Light Source	: SMD LED
Power	: 6 W / 8 W / 10W / 12W / 14 W
Lumen	: 709 lm / 894 lm / 1076 lm / 1209 lm / 1376 lm
Input Voltage	: 220-240V AC 50/60 Hz
Color Temp.	: 2700K / 3000K / 4000K / 6500K
CRI	: > 80
IP	: IP20
Installation	: Semi Recessed Mounted
Housing Colour	: RAL 9005 / RAL 9006 / RAL 9016

Technical Drawing



Photometric Data



Dimensions (mm)

a	b	h	Ø	h2
170	50	52	90	118

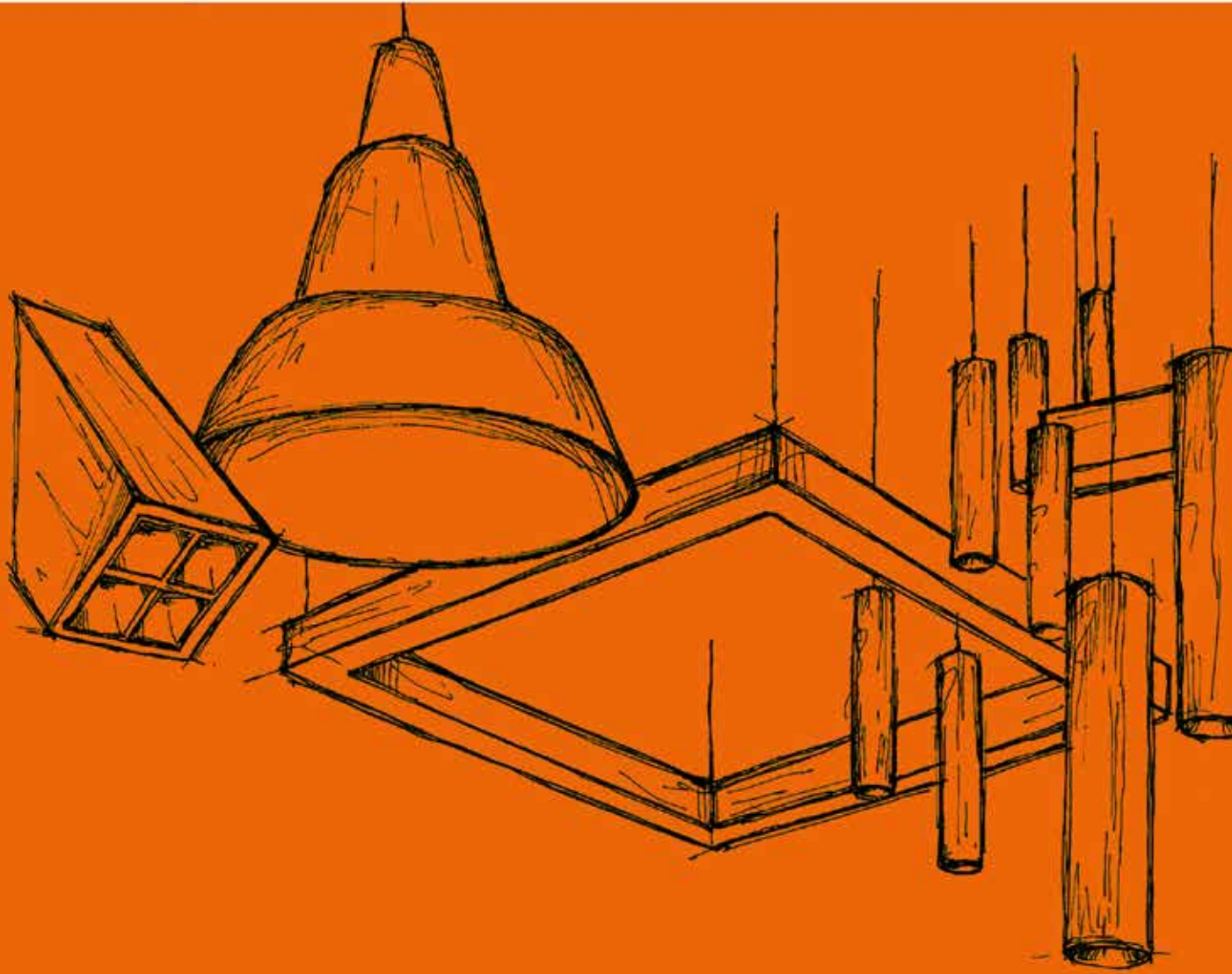
Ceiling Cut Dimensions

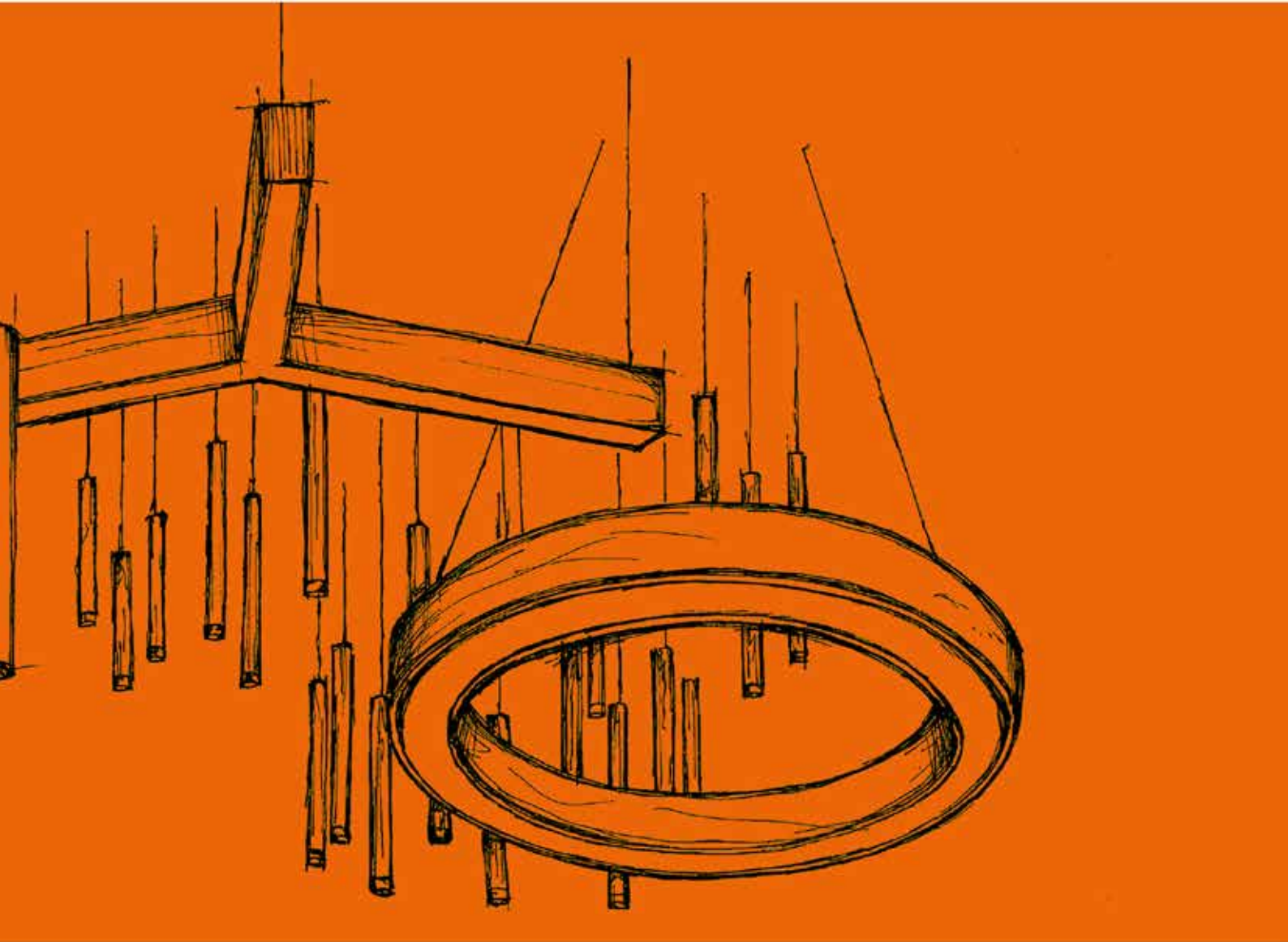
Ø 76mm

Options

Emergency Kit: Yes (1-3 Hours)
 DALI Compatibility: Yes
 CRI: > 90

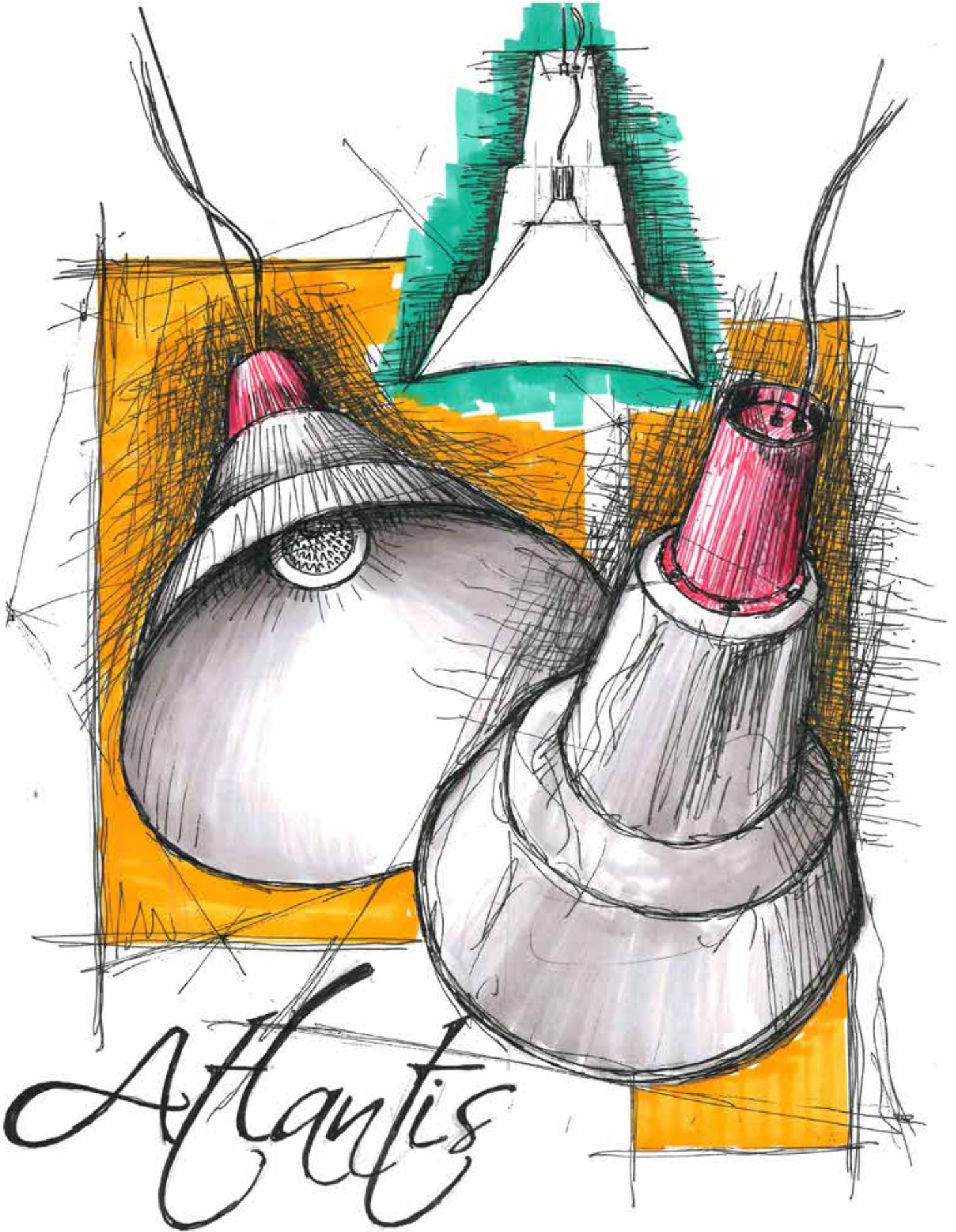






SURFACE MOUNTED PENDANT LIGHTS

LUMINAIRES



ATLANTIS Maxi



SURFACE MOUNTED PENDANT LUMINARIES

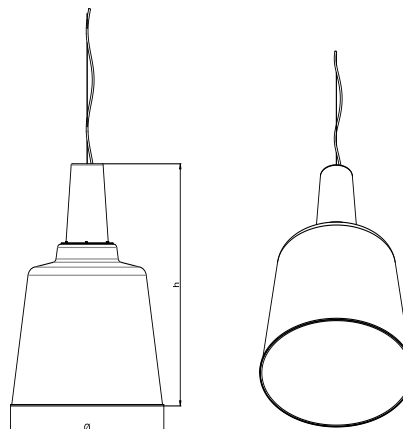


“ Atlantis Maxi does not glare thanks to its deeply located light source and its large body with a conical geometry that provides a retro appearance. Thanks to its high light efficiency, it offers great savings when compared to traditional lighting. It helps create warm and intimate moods as a supplement of modern spaces. It can be produced in alternative outer and inner colours. ”

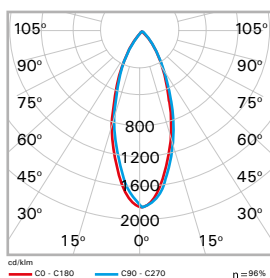
Technical Specifications

- Housing : Aluminium body
- Optical : 24° / 40° / 60° reflector
- Light Source : COB LED
- Power : 20 W / 28 W / 36 W
- Lumen : 2420 lm / 3330 lm / 4176 lm
- Input Voltage : 220-240V AC 50/60Hz
- Color Temp. : 2700K / 3000K / 4000K / 6500K
- CRI : > 80
- IP : IP20
- Installation : Pendant
- Housing Colour : RAL 9005 / RAL 9006 / RAL 9016

Technical Drawing



Photometric Data



Dimensions (mm)

ø	h
505	660

Options

- Emergency Kit: None
- DALI compatibility: Yes
- Housing Colour: Internal body / External body / Shade may be selected in different colours
- Diffuser: Opal
- CRI: > 90



SURFACE MOUNTED PENDANT LUMINARIES

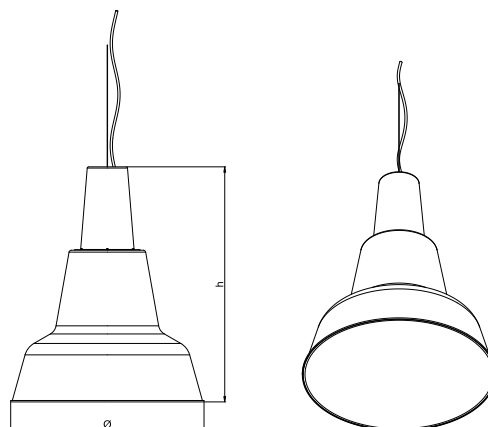


Adding a difference to the ambiance of the environment with its retro designed body, Atlantis Midi complements the modern spaces for the user. It may be used in different levels in areas where you want to create a cosy atmosphere such as offices, hospitals, schools, cafes and retail areas. Thanks to its high light efficiency, Atlantis Midi offers great savings when compared to conventional lighting. This product can be produced in alternative external and internal colours.

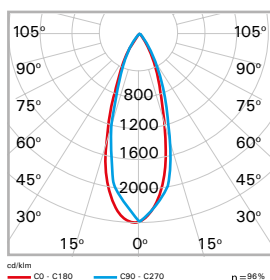
Technical Specifications

Housing	: Aluminium housing
Optical	: 24° / 40° / 60° reflector
Light Source	: COB LED
Power	: 20 W / 28 W / 36 W
Lumen	: 2420 lm / 3330 lm / 4176 lm
Input Voltage	: 220-240 V AC
Color Temp.	: 2700K / 3000K / 4000K / 6500K
CRI	: > 80
IP	: IP20
Installation	: Pendant
Housing Colour	: RAL 9005 / RAL 9006 / RAL 9016

Technical Drawing



Photometric Data



Dimensions (mm)

\varnothing	h
505	660

Options

Emergency Kit: None
 DALI compatibility: Yes
 Housing Colour: Internal body / External body / Shade may be selected in different colours
 Diffuser: Opal
 CRI: > 90

VENO Pendant



SURFACE MOUNTED PENDANT LUMINARIES

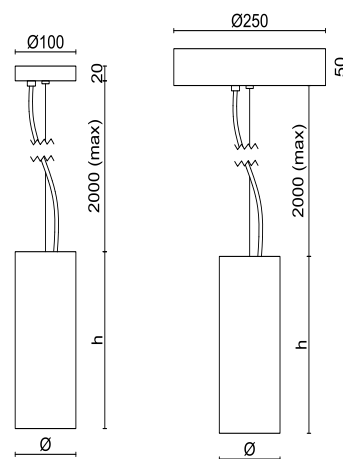


“VENO is designed as based on the basic cylindrical form, and it may be manufactured with three different heights. It helps to create a warm and intimate atmosphere by creating a linear light distribution, sharp shades and dramatical lighting zones. It does not glare thanks to its deeply located light source.”

Technical Specifications

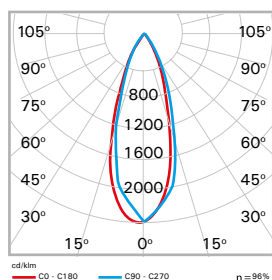
Housing	: Aluminium housing
Optical	: 24° / 36° / 60° reflector
Light Source	: COB LED
Power	: 6 W / 8 W / 10 W / 12 W / 14 W
Lumen	: 636 lm / 848 lm / 1060 lm / 1272 lm / 1485 lm
Input Voltage	: 220-240V AC 50/60Hz
Color Temp.	: 2700K / 3000K / 4000K / 6500K
CRI	: > 80
IP	: IP20
Installation	: Surface Mounted / Pendant
Housing Colour	: RAL 9005 / RAL 9006 / RAL 9016

Technical Drawing



Emergency Lighting Kit

Photometric Data



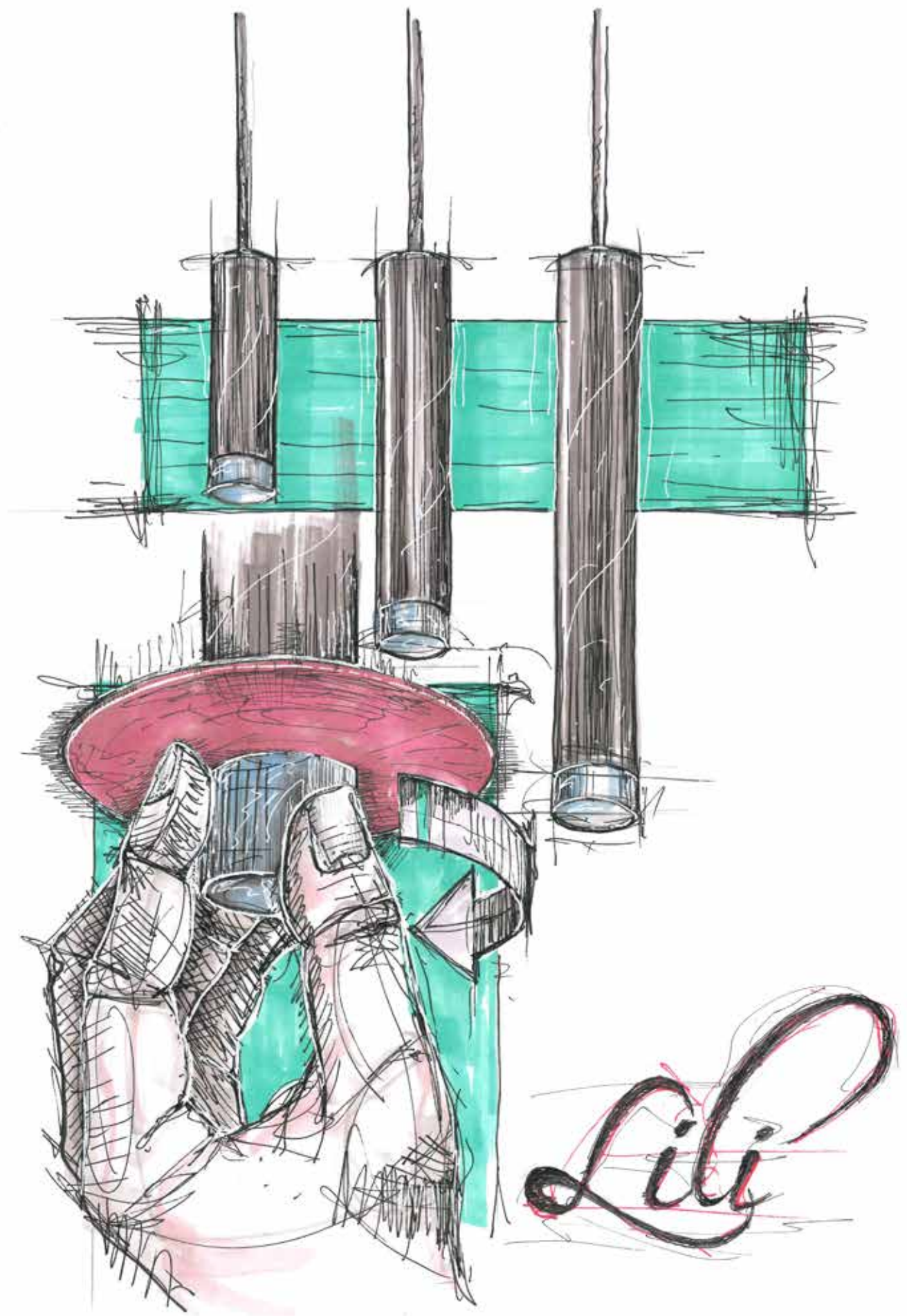
Dimensions (mm)

Type	Ø	h
Veno 180	100	180
Veno 240	100	240
Veno 425	100	425

Options

- DALI Compatibility: Yes
- Emergency Kit: Yes (in the pendant model, inside the external cover)
- Diffuser: Opal
- CRI: > 90





Lili

SURFACE MOUNTED PENDANT LUMINARIES

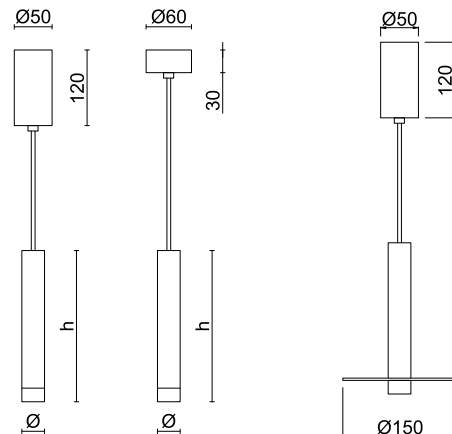


Lili is the re-interpretation of a conventional candle with the elegant and functional LED light source that is presented as a conventional candle and that comes out of a body with minimal design. Illuminate your expression on your spaces with one or more than Lilis. Adds a full combination to the environment it is designed for with its elegant aesthetic structure and its rich light.

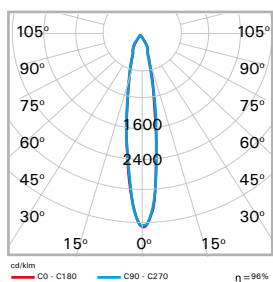
Technical Specifications

- Housing : Extruded aluminum housing
- Optical : Transparent acrylic
- Light Source : COB LED
- Power : 3 W / 5 W / 6 W
- Lumen : 250 lm / 420 lm / 506 lm
- Input Voltage : 220-240V AC 50/60Hz
- Color Temp. : 2700K / 3000K / 4000K / 6500K
- CRI : > 80
- IP : IP20
- Installation : Pendant
- Housing Colour : RAL 9005 / RAL 9016

Technical Drawing



Photometric Data



Dimensions (mm)

Type	Ø	h	Type	Ø	h
Lili 100	30	100	Lili Large 100	50	100
Lili 200	30	200	Lili Large 200	50	200
Lili 300	30	300	Lili Large 300	50	300
Lili 400	30	400	Lili Large 400	50	400
Lili 500	30	400	Lili Large 500	50	500

Options

- Emergency Kit Compatibility: None
- DALI Compatibility: Yes
- Option: Badge (Ø150mm)
- CRI: > 90

SURFACE MOUNTED PENDANT LUMINARIES

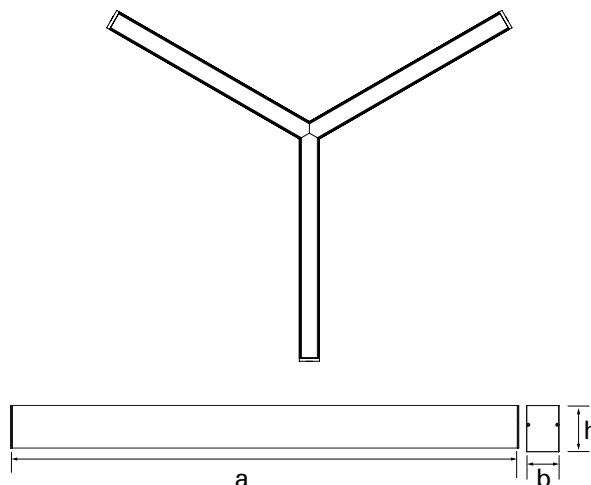


“YODA presents a plain but assertive appearance with its sharp lines and its geometry that extend to three different direction from the center. Provides its own contribution to the ambience as the integral part of modern and dynamic interiors.”

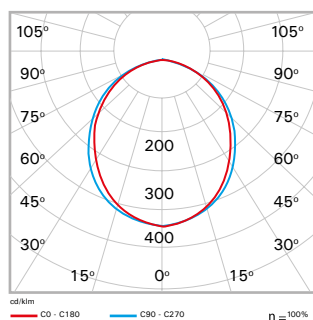
Technical Specifications

- Housing : Aluminium extrusion body and injected cover
- Optical : Opal diffuser
- Light Source : Mid Power LED
- Power : 23.7 W / 48.2 W
- Lumen : 2129 lm / 4207 lm
- Input Voltage : 220-240V AC 50/60Hz
- Color Temp. : 2700K / 3000K / 4000K
- CRI : > 80
- IP : IP20
- Installation : Surface Mounted / Pendant
- Housing Colour : RAL 9005 / RAL 7047

Technical Drawing



Photometric Data



Dimensions (mm)

a	b	h
593.2	53	85

Options

- Emergency Kit : Yes (1-3 hours)
- DALI Compatibility : Yes





SURFACE MOUNTED PENDANT LUMINARIES

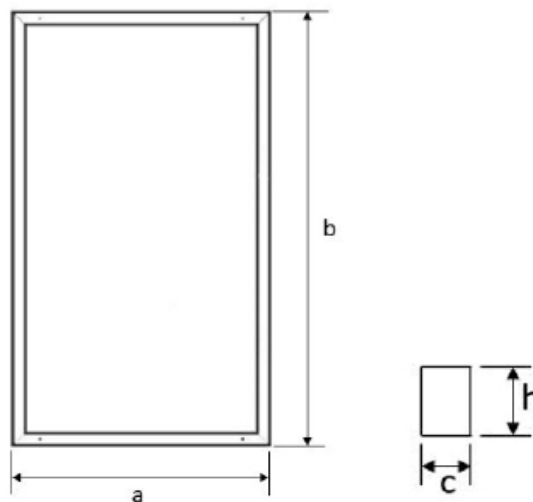


With its aesthetic design in rectangular form, STL FRAME LFLP brings its own dynamism to the space it is located with its sharp lines. STL FRAME FLP meets the lighting requirements of the spaces thanks to the homogeneous light emitted from its opal acrylic diffuser.

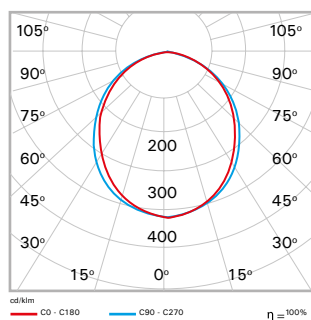
Technical Specifications

Housing	: Aluminium extrusion body and injected cover
Optical	: Opal diffuser with glare control
Light Source	: Mid Power LED
Power	: 106 W (40*120) / 120 W (60*120)
Lumen	: 10272 lm / 11629 lm
Input Voltage	: 220-240V AC 50/60Hz
Color Temp.	: 3000K / 6500K
CRI	: > 80
IP	: IP20
Installation	: Pendant
Housing Colour	: RAL 9005 / RAL 7047

Technical Drawing



Photometric Data



Dimensions (mm)

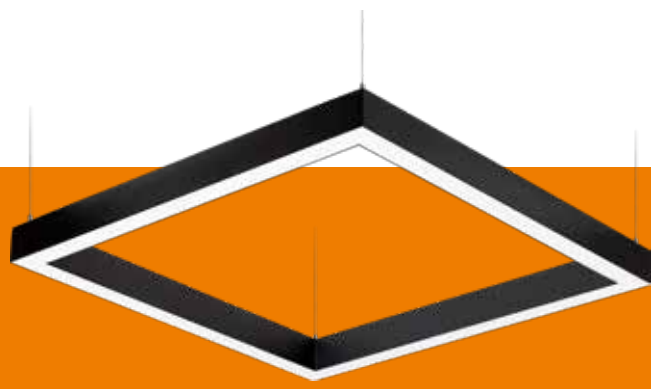
Type	a	b	h	h
Frame 106 W	400	1200	50	70
Frame 120 W	600	1200	50	70

Options

Emergency Kit : Yes (1-3 hours)
DALI Compatibility : Yes



FRAME



SURFACE MOUNTED PENDANT LUMINARIES

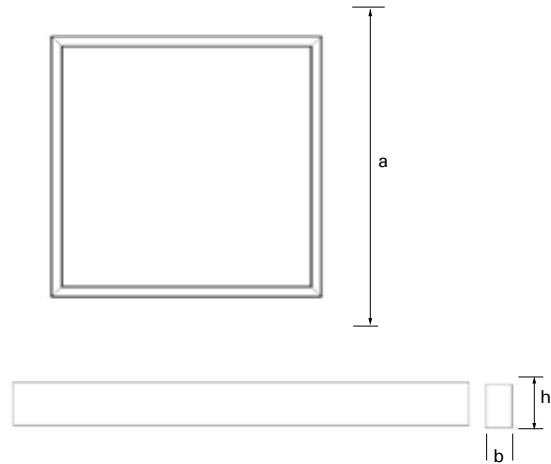


“FRAME is derived from the basic square geometry and brings its own dynamism to its space with its sharp lines and its reduced light surface. Its homogeneous light emitted from its opal acrylic diffuser may meet the lighting requirements of any interior space.”

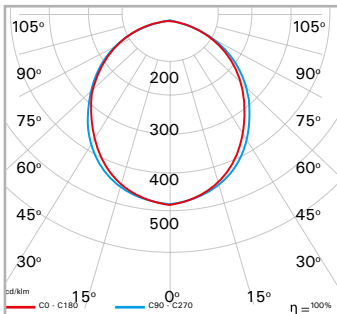
Technical Specifications

Housing	: Aluminium extrusion housing
Optical	: High-opacity diffuser with glare control
Light Source	: Mid Power LED
Power	: 18 W / 39 W / 39 W / 39 W / 66 W / 79 W
Lumen	: 2533 lm / 5461 lm / 5152 lm / 4993 lm / 8258 lm / 9986 lm
Input Voltage	: 220-240V AC 50/60Hz
Color Temp.	: 2700K / 3000K / 4000K
CRI	: > 80
IP	: IP20
Installation	: Pendant
Housing Colour	: RAL 9005 RAL 7047

Technical Drawing



Photometric Data

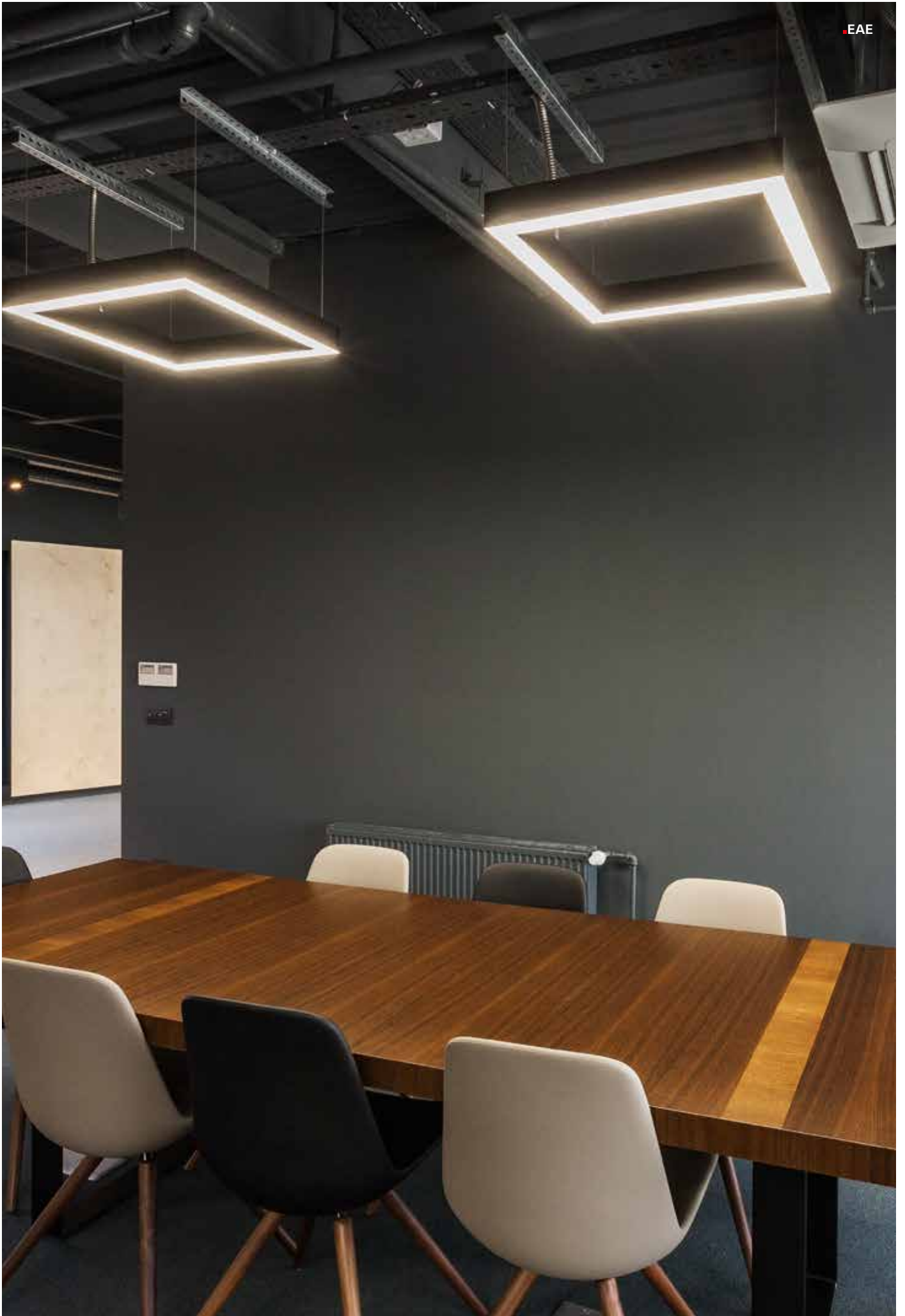


Options

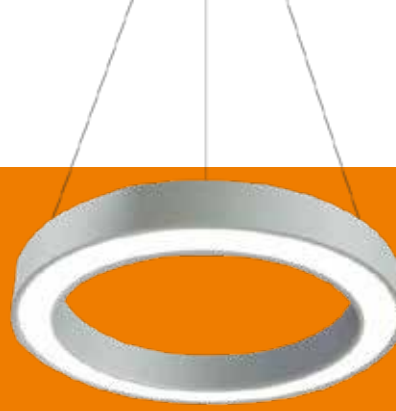
Emergency Kit : Yes (1-3 hours)
DALI Compatibility : Yes

Dimensions (mm)

Type	a	b	h
18 W / 39 W	658	53	87
39 W / 66 W	958	53	87
39 W / 79 W	1258	53	87



SURFACE MOUNTED PENDANT LUMINARIES

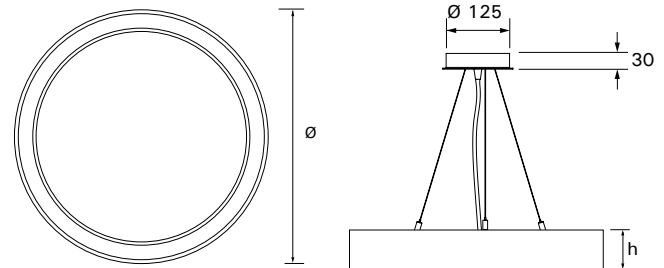


“RINOVA is an integral part of the modern spaces with its geometry shaped as a ring and its minimal body with clean finishes. Its homogeneous light emitted from its opal diffuser provides an illumination with smooth transition within the space.”

Technical Specifications*

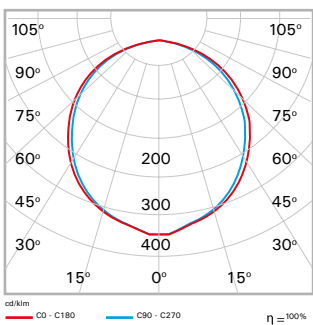
Housing	: Electrostatic powder painted aluminium body
Optical	: Opal diffuser with glare control
Light Source	: Mid Power LED
Power	: 36 W / 54 W / 80 W
Lumen	: 2520 lm / 3780 lm / 5343.2 lm
Input Voltage	: 220-240V AC 50/60Hz
Color Temp.	: 3000K / 4000K / 5700K
CRI	: > 80
IP	: IP20
Installation	: Pendant
Housing Colour	: RAL 9003 / RAL 9005

Technical Drawing



* Technical values have a tolerance of $\pm 5\%$.

Photometric Data



Options

Emergency Kit: Yes (1-3 hours)
DALI Compatibility: Yes

Dimensions (mm)

Type	Ø	h
36 W	606	98
54 W	886	98
80 W	1206	98





SURFACE MOUNTED PENDANT LUMINARIES

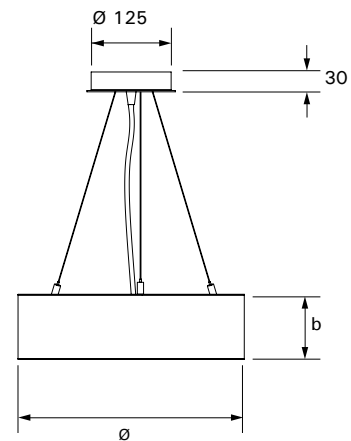


“NETA creates a plain architectural language in the spaces it is used with its design and light effects. Provides versatility for the designer in terms of layout thanks to its round outlines with minimal lines as required by the modern designs.”

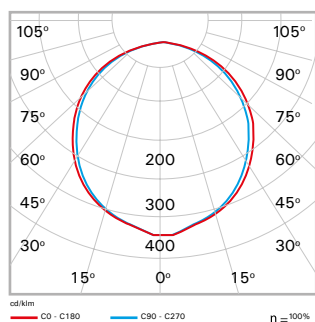
Technical Specifications

Housing	: Electrostatic powder painted aluminium body
Optical	: Opal diffuser
Light Source	: Mid Power LED
Power	: 17 W / 23 W / 47 W / 95 W / 120 W
Lumen	: 1622 lm / 2375 lm / 5488 lm / 11889 lm / 15106 lm
Input Voltage	: 220-240V AC 50/60Hz
Color Temp.	: 3000K / 4000K
CRI	: > 80
IP	: IP20
Installation	: Surface Mounted / Pendant
Housing Colour	: RAL 9010

Technical Drawing



Photometric Data

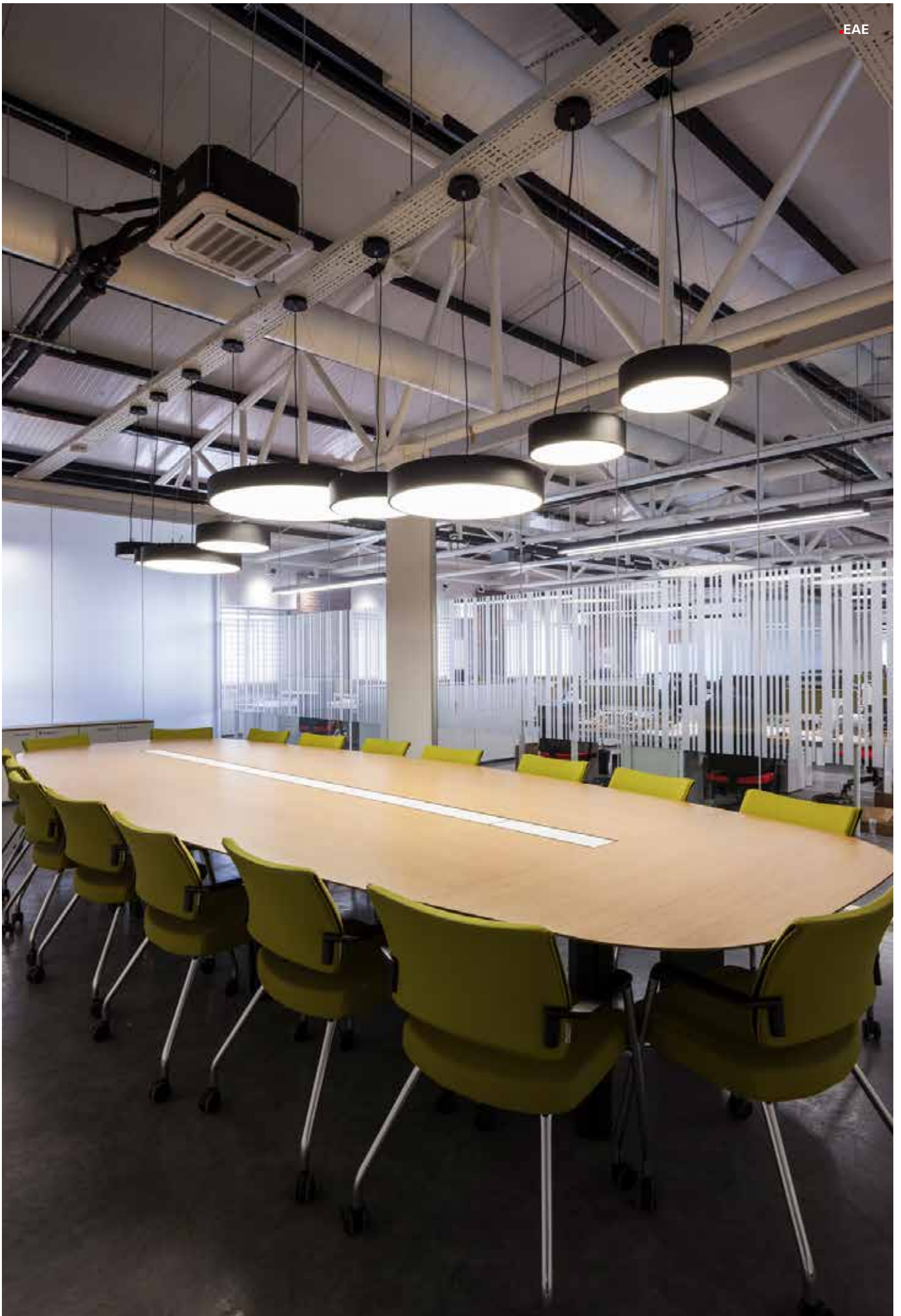


Options

Emergency Kit: Yes (1-3 hours)
DALI Compatibility: Yes

Dimensions (mm)

Type	Ø	b
17 W	348	100
23 W	448	100
47 W	648	100
95 W	878	100
120 W	1200	100





RECESSED MOUNTED LUMINARIES

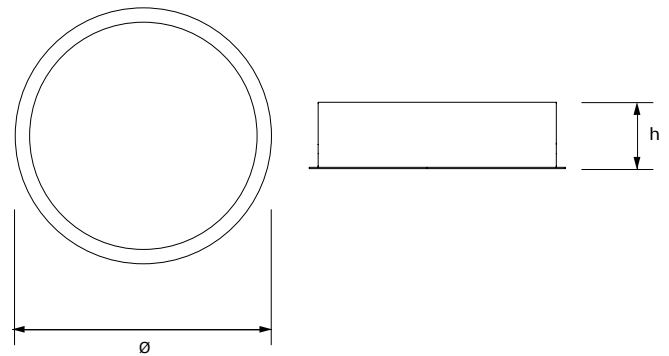


“Providing flexibility to the designer thanks to its rounded lines with minimal lines, NETA Recessed Mounted brings elegance to the architectural areas where a modern design is required. With its elegant design and its light effect, this product creates a simple language in areas it is applied.”

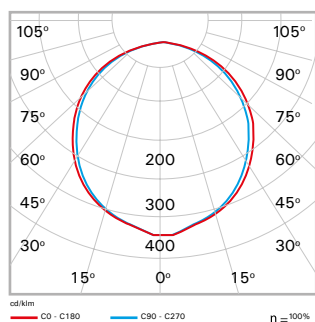
Technical Specifications

Housing	: Electrostatic powder painted aluminium body
Optical	: Opal diffuser
Light Source	: Mid Power LED
Power	: 17 W / 23 W / 47 W / 95 W / 120 W
Lumen	: 1622 lm / 2375 lm / 5488 lm / 11889 lm / 15106 lm
Input Voltage	: 220-240V AC 50/60Hz
Color Temp.	: 3000K / 4000K
CRI	: > 80
IP	: IP20
Installation	: Recessed mounted
Housing Colour	: RAL 9010

Technical Drawing



Photometric Data



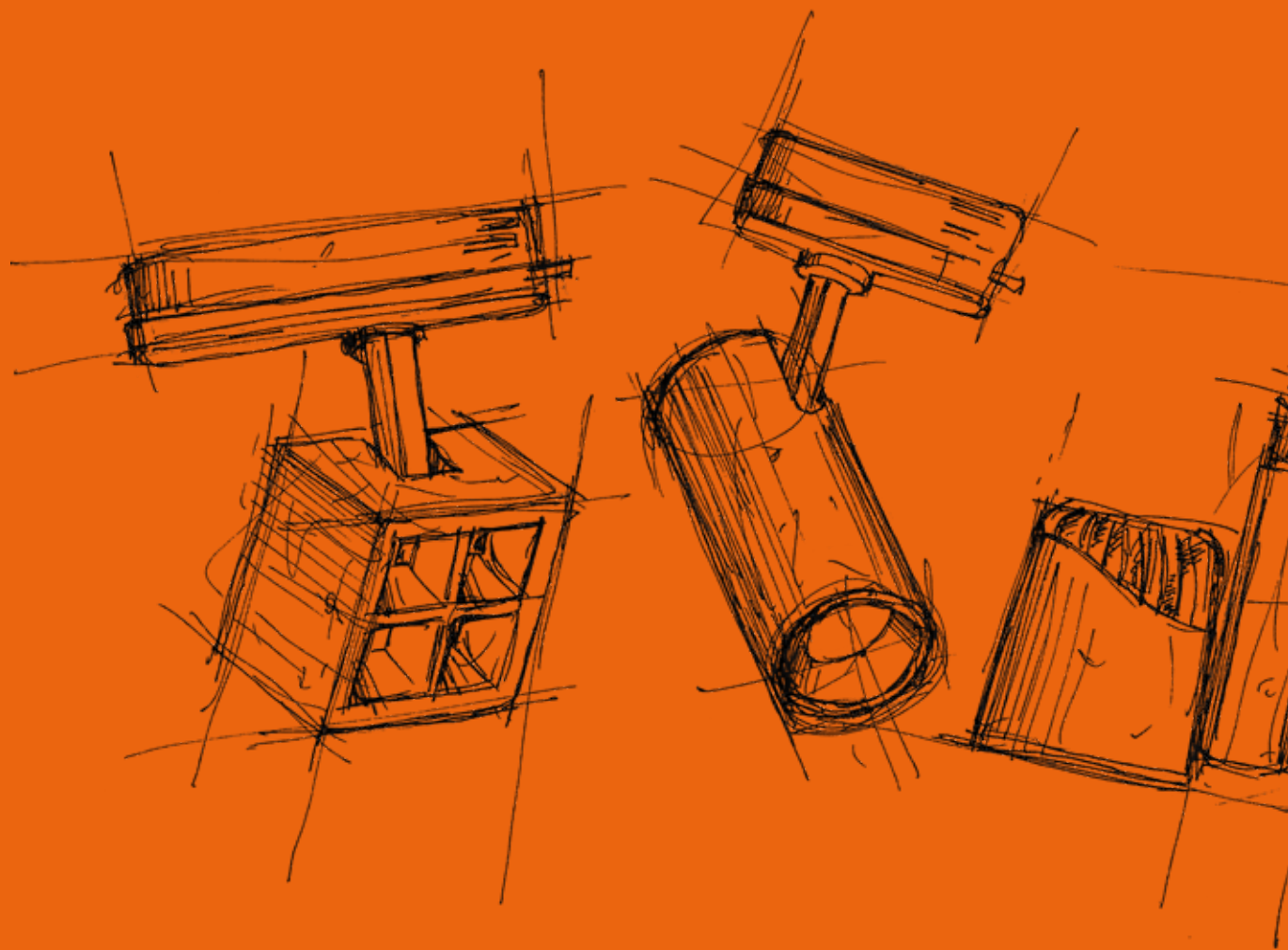
Options

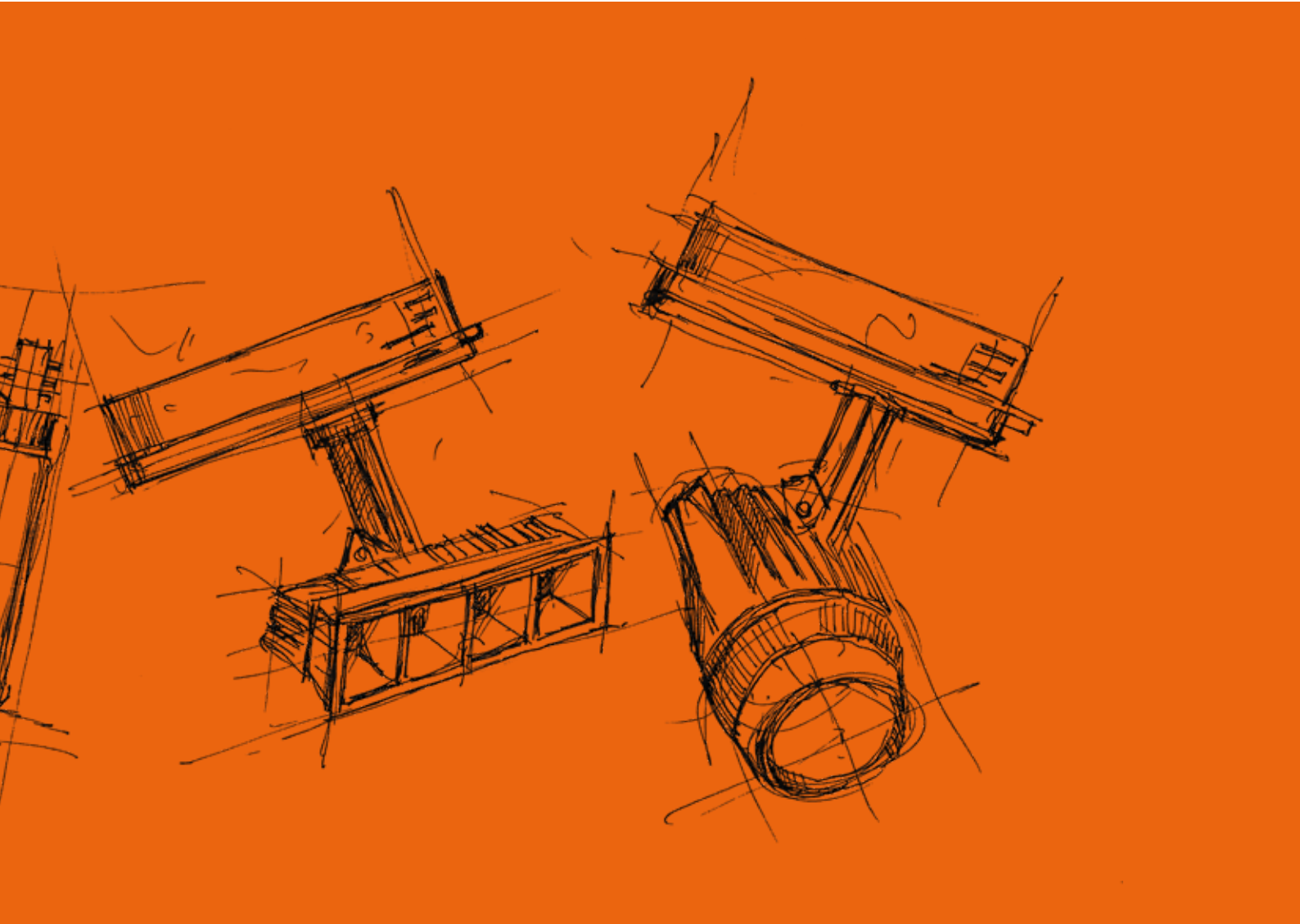
Emergency Kit : Yes (1-3 hours)
 DALI Compatibility : Yes

Dimensions (mm)

Type	Ø	h	Ceiling Cut Dimensions
17 W	364	100	352
23 W	445	100	443
47 W	670	100	658
95 W	895	100	883
120 W	1220	100	1208







TRACK MOUNTED LUMINAIRES



TRACK MOUNTED LUMINAIRE

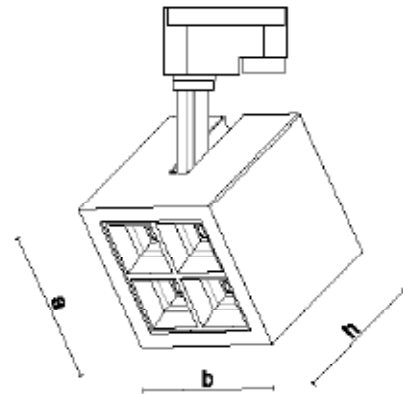


Giza V.2 Ray, which is an architectural lighting solution with minimal design, stands out with its high performance LED and optical quality. This product provides visual comfort in the spaces that it is used with its cubic-design body. Ensures comfortable operation in the illumination of areas such as meeting rooms, halls, residences, stores and hotels. Preventing glare thanks to its deep reflector structure, this product ensures light distribution at 50° or 80° thanks to its high-efficiency special optic design lenses.

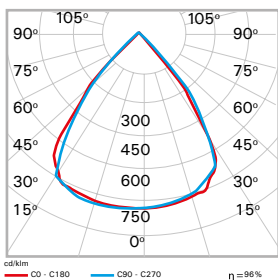
Technical Specifications

Housing	: Aluminium injection
Optical	: 50° / 80° Lens + Reflector (Black)
Light Source	: SMD LED
Power	: 6W / 8 W / 10 W / 12 W / 14 W / 20 W / 24 W / 28 W
Lumen	: 709 lm / 894 lm / 1076 lm / 1209 lm / 1376 lm / 2200 lm / 2539 lm / 2963 lm
Input Voltage	: 220-240V AC 50/60 Hz
Color Temp.	: 2700K / 3000K / 4000K / 6500K
CRI	: > 80
IP	: IP20
Installation	: Three-phase Rail

Technical Drawing



Photometric Data



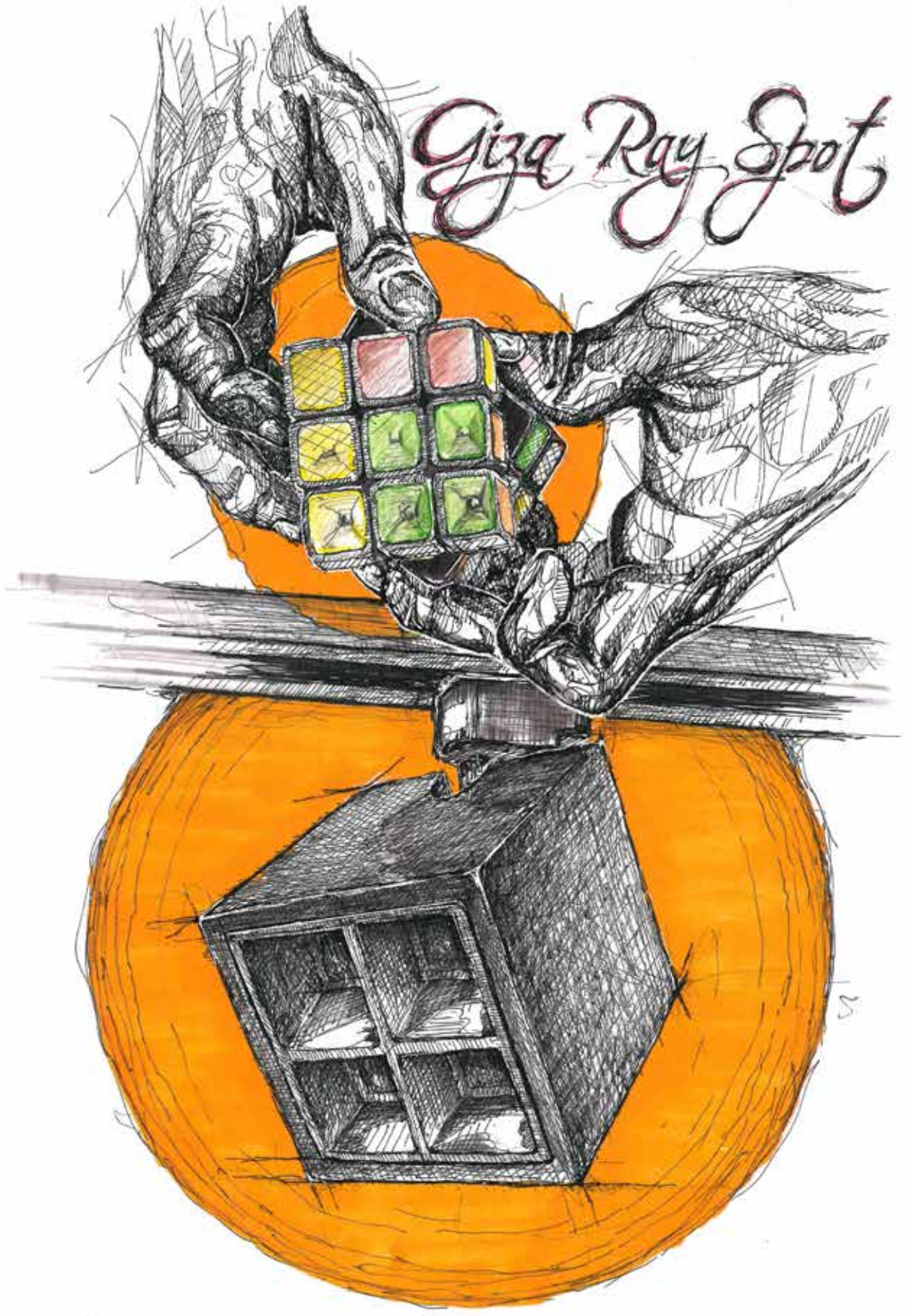
Dimensions (mm)

a	b	h
105	105	100

Options

Emergency Kit: None
 DALI compatibility: Yes
 CRI: > 90

Giza Ray Spot



125

GIZA L4 Rail Horizontal



TRACK MOUNTED LUMINAIRE

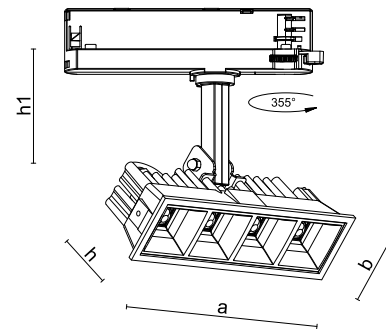


“ Acts as a multi-functional product in the illumination of different areas rotating 355° around its own axis. Preventing glare thanks to its high efficiency lenses, this product is ideal for illumination of different areas such as stores, museums, exhibition halls, etc. Thanks to its special optic design lenses, it ensures light distribution at 50° or 80°.”

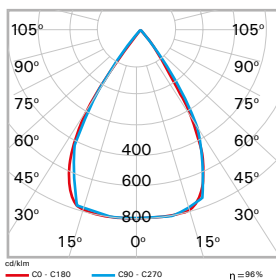
Technical Specifications

Housing	: Aluminium injection housing
Optical	: 50° + 80° Lens + Reflector (Black)
Light Source	: SMD LED
Power	: 10W / 14 W
Lumen	: 1076 lm / 1376 lm
Input Voltage	: 220-240V AC 50/60 Hz
Color Temp.	: 2700K / 3000K / 4000K / 6500K
CRI	: > 80
IP	: IP20
Installation	: Three-phase Rail
Housing Colour	: RAL 9005 / RAL 9016

Technical Drawing



Photometric Data



Dimensions (mm)

a	b	h	h1
170	50	52	82

Options

Emergency Kit: None
 DALI Compatibility: Please ask
 CRI: > 90



GIZA L4 Rail Vertical



TRACK MOUNTED LUMINAIRE

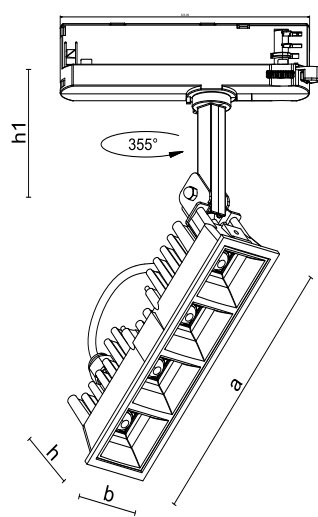


This is an architectural lighting solution with a minimal design used for illumination of different interior spaces. Giza L4 Vertical is used for illumination of areas such as retail stores, museums, exhibition halls, meeting rooms, and corridors. It does not cause glare with thanks to its deep reflector structure. Used for interior lighting, Giza L4 Vertical ensures light distribution at 50° or 80° thanks to its high-efficiency lenses with special optic design.

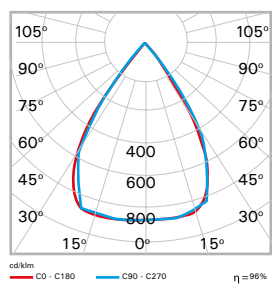
Technical Specifications

- Housing : Aluminium injection housing
- Optical : 50° Lens / 80° Lens + Reflector (Black)
- Light Source : SMD LED
- Power : 10W / 14 W
- Lumen : 1076 lm / 1376 lm
- Input Voltage : 220-240V AC 50/60 Hz
- Color Temp. : 2700K / 3000K / 4000K / 6500K
- CRI : > 80
- IP : IP20
- Installation : Three-phase Rail
- Housing Colour : RAL 9005 / RAL 9016

Technical Drawing



Photometric Data



Dimensions (mm)

a	b	h	h1
170	50	52	82

Options

- Emergency Kit: None
- DALI Compatibility: Please ask
- CRI: > 90



STORM Rail Spot



TRACK MOUNTED LUMINAIRE

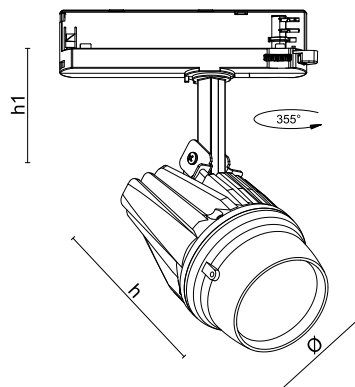


Included among the new members of Rail Spot family, Storm Rail Spot meets the lighting needs of retail stores and exhibition halls at the maximum level. Offers simple solutions for projects that you want to create an accent lighting with different optical and lumen values.

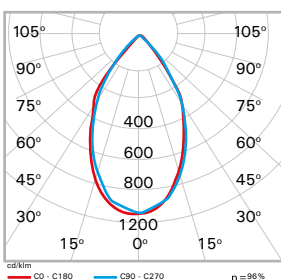
Technical Specifications

- Housing : Aluminium body
- Optical : 24° / 40° Reflector
- Light Source : COB LED
- Power : 20 W / 28 W / 36 W
- Lumen : 2420 lm / 3330 lm / 4176 lm
- Input Voltage : 220-240V AC 50/60Hz
- Color Temp. : 2700K / 3000K / 4000K / 6500K
- CRI : > 80 / > 90
- IP : IP20
- Installation : Three-phase Rail
- Housing Colour : RAL 9005 / RAL 9016

Technical Drawing



Photometric Data



Dimensions (mm)

Ø	h	h1
90	138	60

Options

- Emergency Kit: None
- DALI Compatibility: Please ask
- CRI: > 90

GIZA SLIM Rail Spot



TRACK MOUNTED LUMINAIRE

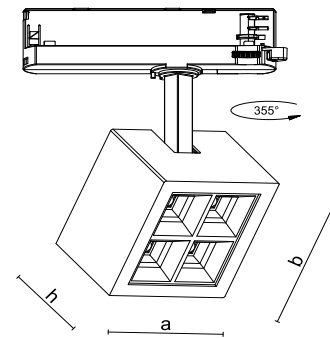


Giza Slim Rail Spot is an architectural lighting solution with minimal design used for illumination of retail stores, museums, exhibition halls, meeting rooms, and halls. It brings the advantages of high performance LED and optical quality with its elegant cubic-design body and visual comfort. It does not cause glare with thanks to its deep reflector structure. Thanks to its special optic design lenses it ensures light distribution at 50° or 80°.

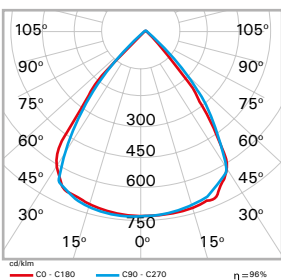
Technical Specifications

Housing	: Aluminium injection
Optical	: 50° / 80° Lens + Reflector (Black)
Light Source	: SMD LED
Power	: 10 W / 14 W / 20 W / 24 W / 28 W
Lumen	: 1076 lm / 1376 lm / 2200 lm / 2539 lm / 2963 lm
Input Voltage	: 220-240V AC 50/60 Hz
Color Temp.	: 2700K / 3000K / 4000K / 6500K
CRI	: > 80
IP	: IP20
Installation	: Three-phase Rail
Housing Colour	: RAL 9005 / RAL 9016

Technical Drawing



Photometric Data



Dimensions (mm)

a	b	h
105	105	70

Options

Emergency Kit: None
 DALI compatibility: Please ask
 CRI: > 90

OCTO V.2 Rail



TRACK MOUNTED LUMINAIRE

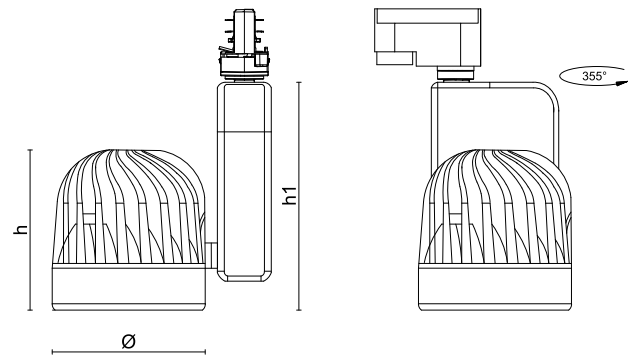


“Octo is ideal for illumination of retail and display areas with various lumen values and optical options it offers. Its layered body structure and head with angled finish creates a dynamic effect on the environment it is installed”

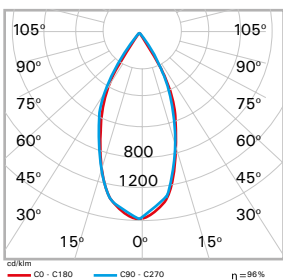
Technical Specifications

- Housing : Aluminium body
- Optical : 15° / 30° / 45° reflector
- Light Source : COB LED
- Power : 20W / 30W
- Lumen : 2000 lm / 2900 lm
- Input Voltage : 220-240V AC 50/60Hz
- Color Temp. : 3000K / 4000K
- CRI : > 80
- IP : IP20
- Installation : Three-phase Rail
- Housing Colour : RAL 9005 / RAL 9006 / RAL 9016

Technical Drawing



Photometric Data



Dimensions (mm)

Ø	h	h1
100	110	150

Options

- Emergency Kit: None
- DALI compatibility: Yes
- CRI: > 90



PICA V.2 Rail



TRACK MOUNTED LUMINAIRE

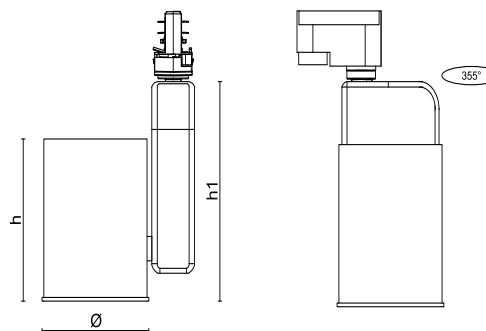


Pica-V uses a plain and gentle language with its layered body structure that covers the cooling fins. Vertically positioned driver box offers a compact appearance. It provides all the requirements of the accent lighting technique with its various optical options and lumen values.

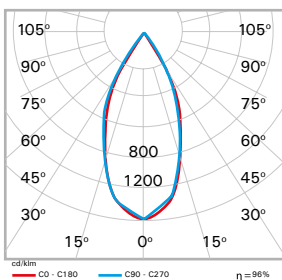
Technical Specifications

- Housing : Aluminium body
- Optical : 15° / 30° / 45° reflector
- Light Source : COB LED
- Power : 20W / 30W
- Lumen : 2000 lm / 2982 lm
- Input Voltage : 220-240V AC 50/60Hz
- Color Temp. : 3000K / 4000K
- CRI : > 80
- IP : IP20
- Installation : Three-phase Rail
- Housing Colour : RAL 9005 / RAL 9006 / RAL 9016

Technical Drawing



Photometric Data



Dimensions (mm)

Ø	h	h1
85	110	150

Options

- Emergency Kit: None
- DALI compatibility: Yes
- CRI: > 90





TRACK MOUNTED LUMINAIRE

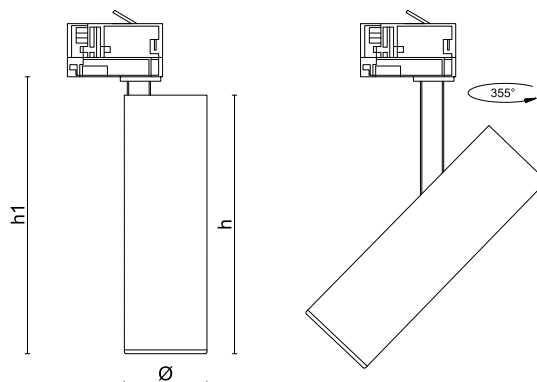


“Included among the new members of Rail Spot family, Taco Mini adds a new touch to the ambient atmosphere with its cylindrical body structure. This product ensures illumination of the space perfectly with its high performance LED. Also, the product is offered with its alternative sizes as per the requirements of retail stores and exhibition halls.”

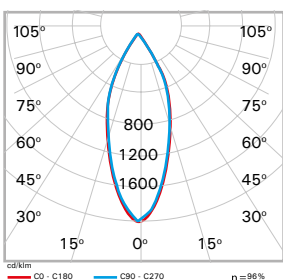
Technical Specifications

Body	: Aluminium body
Optical	: 15° / 30° reflector
Light Source	: COB LED
Power	: 8W / 10W
Lumen	: 828 lm / 1035 lm
Input Voltage	: 220-240V AC 50/60Hz
Color Temp.	: 3000K / 4000K
CRI	: > 80
IP	: IP20
Installation	: Three-phase Rail
Housing Colour	: RAL 9005 / RAL 9006 / RAL 9016

Technical Drawing



Photometric Data



Dimensions (mm)

Ø	h	h1
60	185	207

Options

Emergency Kit: None
 DALI compatibility: Yes
 CRI: > 90



TRACK MOUNTED LUMINAIRE

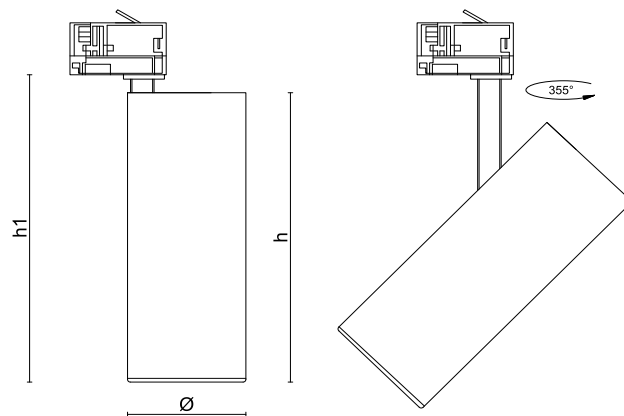


“As the new member of the Rail Spot family, Taco Midi is the suitable lighting solution for architectural areas with its cylindrical body structure in minimal size. Prevents glare thanks to the deeply located high performance LED. With its alternative sizes, Taco Midi meets the lighting requirements of retail stores and exhibition halls at the maximum level.”

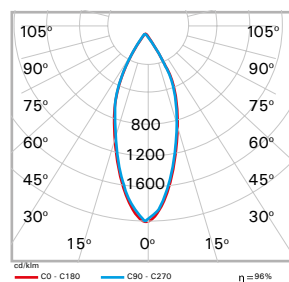
Technical Specifications

- Body : Aluminium body
- Optical : 15° / 30° / 45° reflector
- Light Source : COB LED
- Power : 20W
- Lumen : 2025 lm
- Input Voltage : 220-240V AC 50/60Hz
- Color Temp. : 3000K / 4000K
- CRI : > 80
- IP : IP20
- Installation : Three-phase Rail
- Housing Colour : RAL 9005 / RAL 9006 / RAL 9016

Technical Drawing



Photometric Data



Dimensions (mm)

Ø	h1	h
85	225	215

Options

- Emergency Kit: None
- DALI compatibility: Yes
- CRI: > 90

TRACK MOUNTED LUMINAIRE

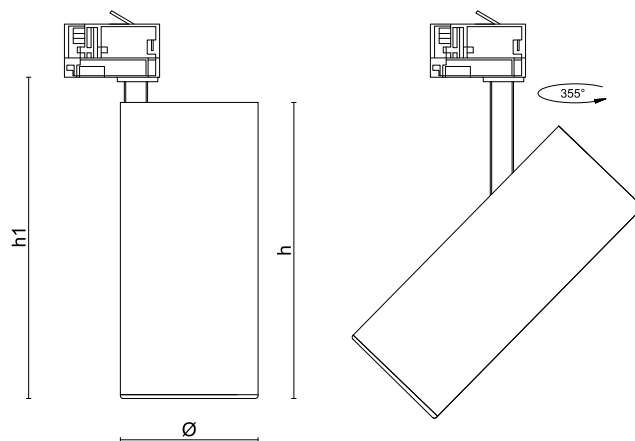


Taco Maxi is the suitable lighting solution for offices, Shopping malls, stores, residences and exhibition halls. Having a cylindrical body structure, this product does not cause glare thanks to its deeply located high-performance LED. Offered with alternative sizes, TACO Maxi meets the lighting requirements of architectural areas in the best way.

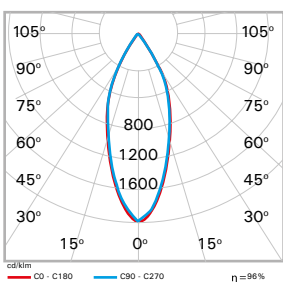
Technical Specifications

- Housing : Aluminium housing
- Optical : 15° / 30° / 45° reflector
- Light Source : COB LED
- Power : 20W / 30W
- Lumen : 2025 lm / 3107 lm
- Input Voltage : 220-240V AC 50/60Hz
- Color Temp. : 3000K / 4000K
- CRI : > 80
- IP : IP20
- Installation : Three-phase Rail
- Housing Colour : RAL 9005 / RAL 9006 / RAL 9016

Technical Drawing



Photometric Data



Dimensions (mm)

Ø	h	h1
100	215	235

Options

- Emergency Kit compatibility : None
- DALI compatibility : Yes
- CRI: > 90



TRACK MOUNTED LUMINAIRE

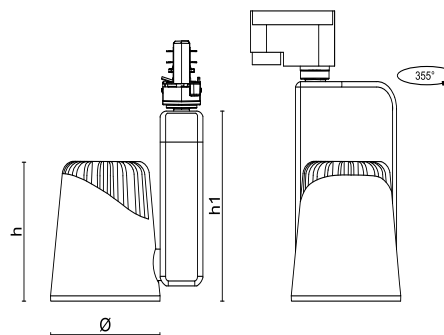


“OXI is ideal for illumination of retail and exhibition halls with various lumen values and optical options it offers. Its layered body structure and head with angled finish creates a dynamic effect on the environment it is installed.”

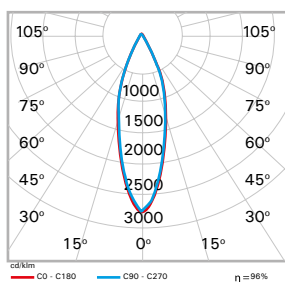
Technical Specifications

- Housing : Aluminium body
- Optical : 15° / 30° / 45° / 60° reflector
- Light Source : COB LED
- Power : 20W / 30W
- Lumen : 2020 lm / 3046 lm
- Input Voltage : 220-240V AC 50/60Hz
- Color Temp. : 3000K / 4000K
- CRI : > 80
- IP : IP20
- Installation : Three-phase Rail / Single-phase Rail
- Housing Colour : RAL 9005 / RAL 9006 / RAL 9016

Technical Drawing



Photometric Data

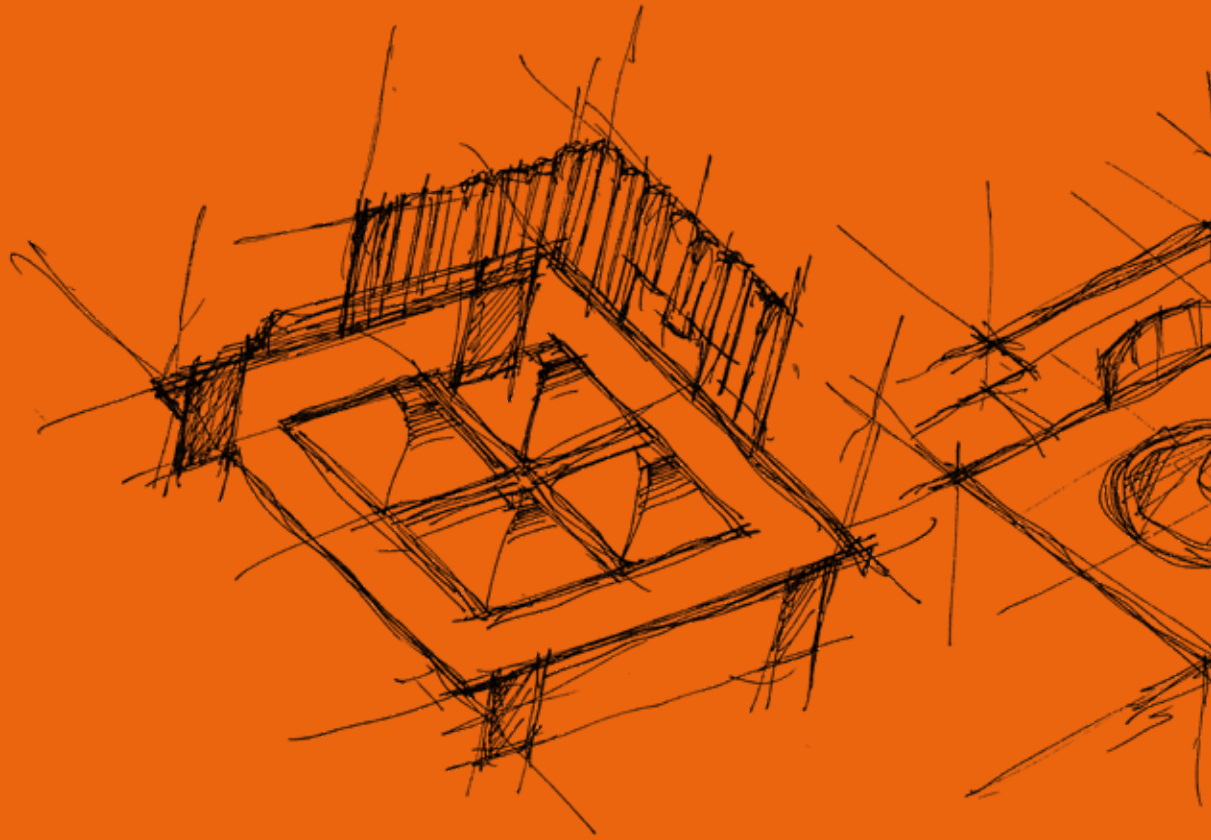


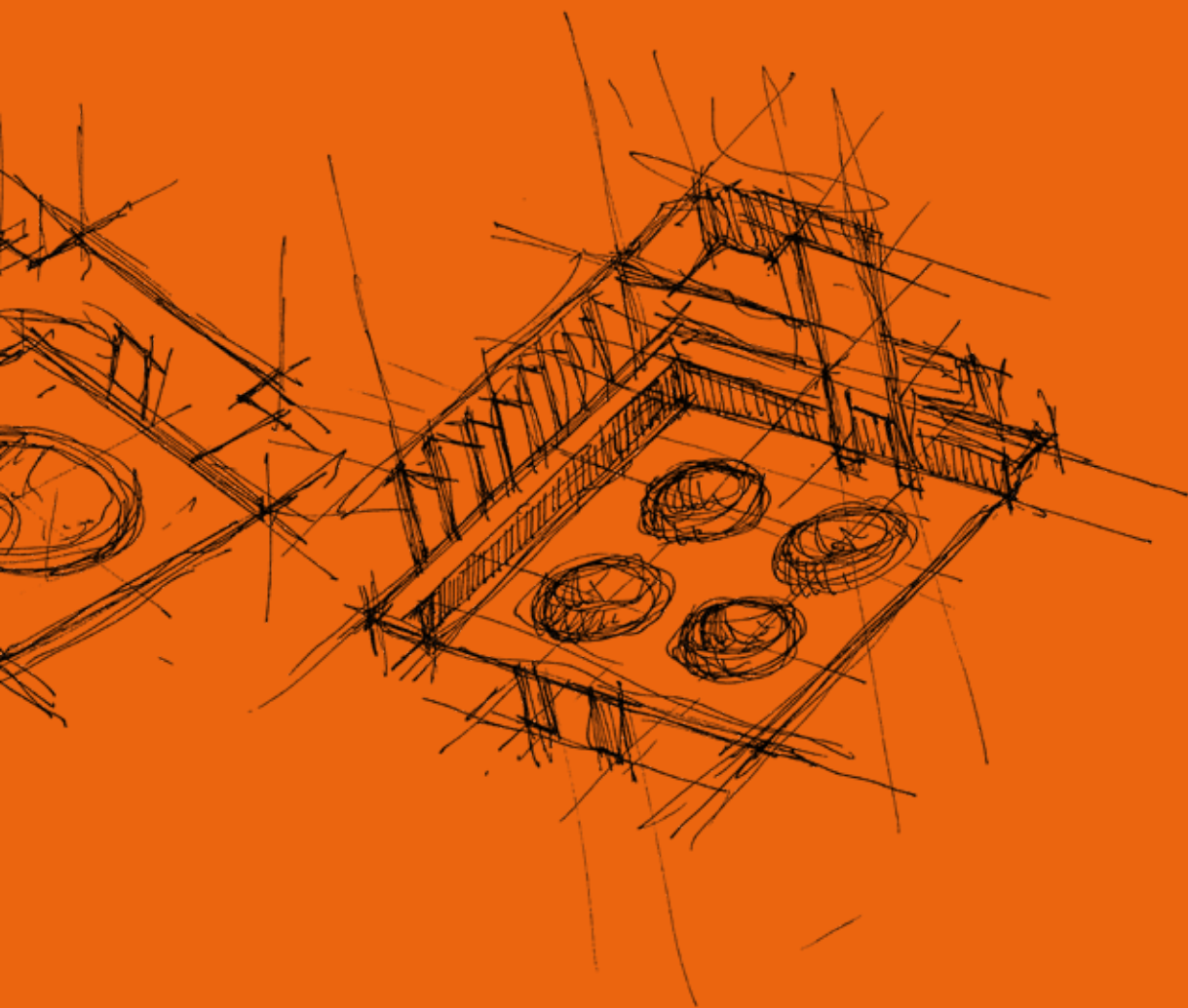
Dimensions (mm)

Ø	h1	h
100	150	115

Options

- Emergency Kit compatibility : None
- DALI compatibility : Yes
- CRI: > 90





CELL CEILING
LUMINAIRES





CELL CEILING LUMINAIRE

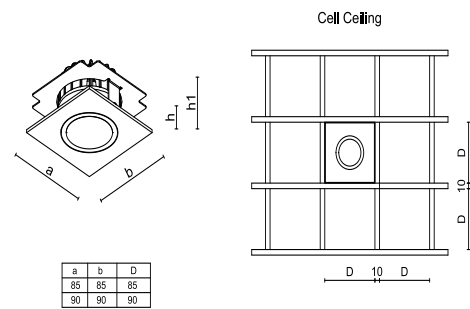


Lory Cell, the built-in luminaire designed for any type of requirement, may be integrated optimally to the open ceiling cells. Bringing the architectural area designs to the forefront, this product provides high power economy. With its LED structure that does not cause glare even in case of maximum light output, Lory Cell ensures efficient lighting performance in architectural areas.

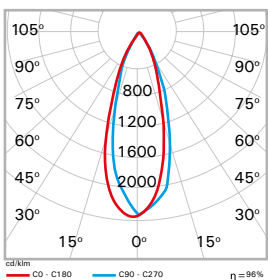
Technical Specifications

Housing	: Aluminium injection housing
Optical	: 24° / 36° / 60°
Light Source	: COB LED
Power	: 6 W / 8 W / 10 W / 12 W / 14W / 20W
Lumen	: 641 lm / 800 lm / 984 lm / 1149 lm / 1378 lm / 1820 lm
Input Voltage	: 220-240V AC 50/60 Hz
Color Temp.	: 2700K / 3000K / 4000K / 6500K
CRI	: > 80
IP	: IP20
Installation	: Cell Ceiling
Housing Colour	: RAL 9005 / RAL 9006 / RAL 9016

Technical Drawing



Photometric Data



Dimensions (mm)

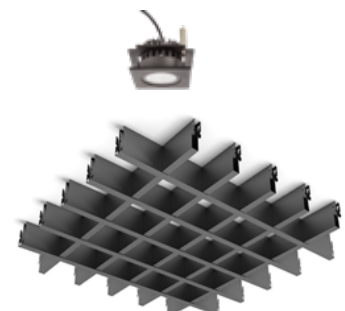
a	b	h	h1
85	85	32	75
90	90	32	75

Mesh Ceiling Size

85 x 85mm
90 x 90mm

Options

- Emergency Kit: Yes (1-3 hours)
- DALI Compatibility: Yes
- CRI: > 90





CELL CEILING LUMINAIRE

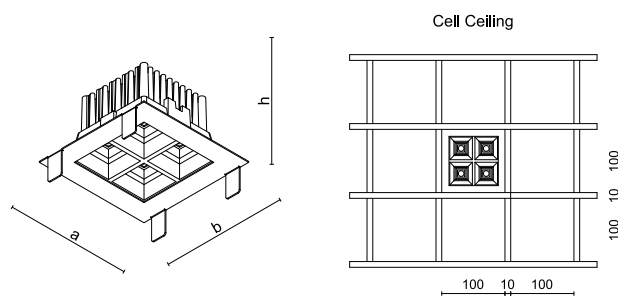


“ Providing excellent glare control even case of maximum light output, Giza Cell may be integrated to the open ceiling cells. Thanks to its high power saving features, this user-friendly product meets the lighting requirements of the environment in the best way. As an efficient built-in luminaire, Giza Cell ensures light distribution at 50° or 80° thanks to its special optic design lenses. ”

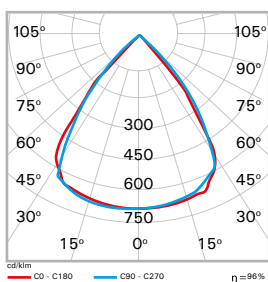
Technical Specifications

Housing	: Aluminium injection housing
Optical	: 50° / 80° Lens + Reflector (Black)
Light Source	: SMD LED
Power	: 6W / 8 W / 10 W / 12 W / 14 W / 20 W / 24 W / 28 W
Lumen	: 709 lm / 894 lm / 1076 lm / 1209 lm / 1376 lm / 2200 lm / 2539 lm / 2963 lm
Input Voltage	: 220-240V AC 50/60 Hz
Color Temp.	: 2700K / 3000K / 4000K / 6500K
CRI	: > 80
IP	: IP20
Installation	: Cell Ceiling
Housing Colour	: RAL 9005 / RAL 9006 / RAL 9016

Technical Drawing



Photometric Data



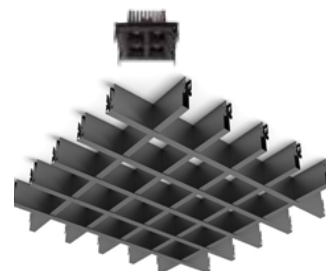
Dimensions (mm)

a	b	h
117	117	100

Mesh Ceiling Size
100 x 100mm

Options

Emergency Kit : Yes (1-3 hours)
 DALI Compatibility: Yes
 CRI: > 90





CELL CEILING LUMINAIRE

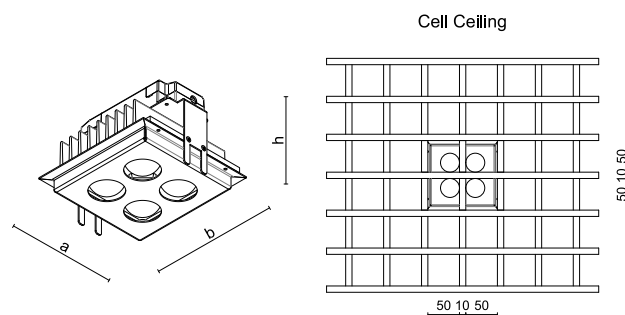


Middy Cell ceiling may be integrated optimally to the open ceiling cells and this makes the body of the luminaire almost invisible. This product is a highly efficient built-in luminaire that impresses with high energy savings and excellent glare control at maximum light output, emphasizing architectural features masterfully and offering a suitable solution for any requirement.

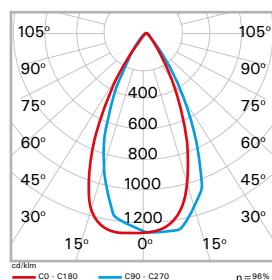
Technical Specifications

- Housing : Aluminium housing
- Optical : 60° Lens
- Light Source : SMD LED
- Power : 6 W / 8 W / 10 W / 12 W / 14 W
- Lumen : 480 lm / 640 lm / 800 lm / 960 lm / 1138 lm
- Input Voltage : 220-240V AC 50/60Hz
- Color Temp. : 2700K / 3000K / 4000K / 6500K
- CRI : > 80
- IP : IP20
- Installation : Cell Ceiling
- Housing Colour : RAL 9005 / RAL 9006 / RAL 9016

Technical Drawing



Photometric Data



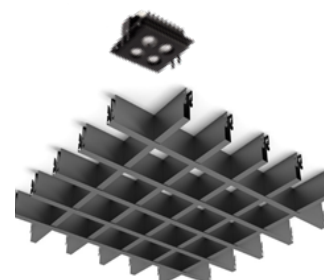
Dimensions (mm)

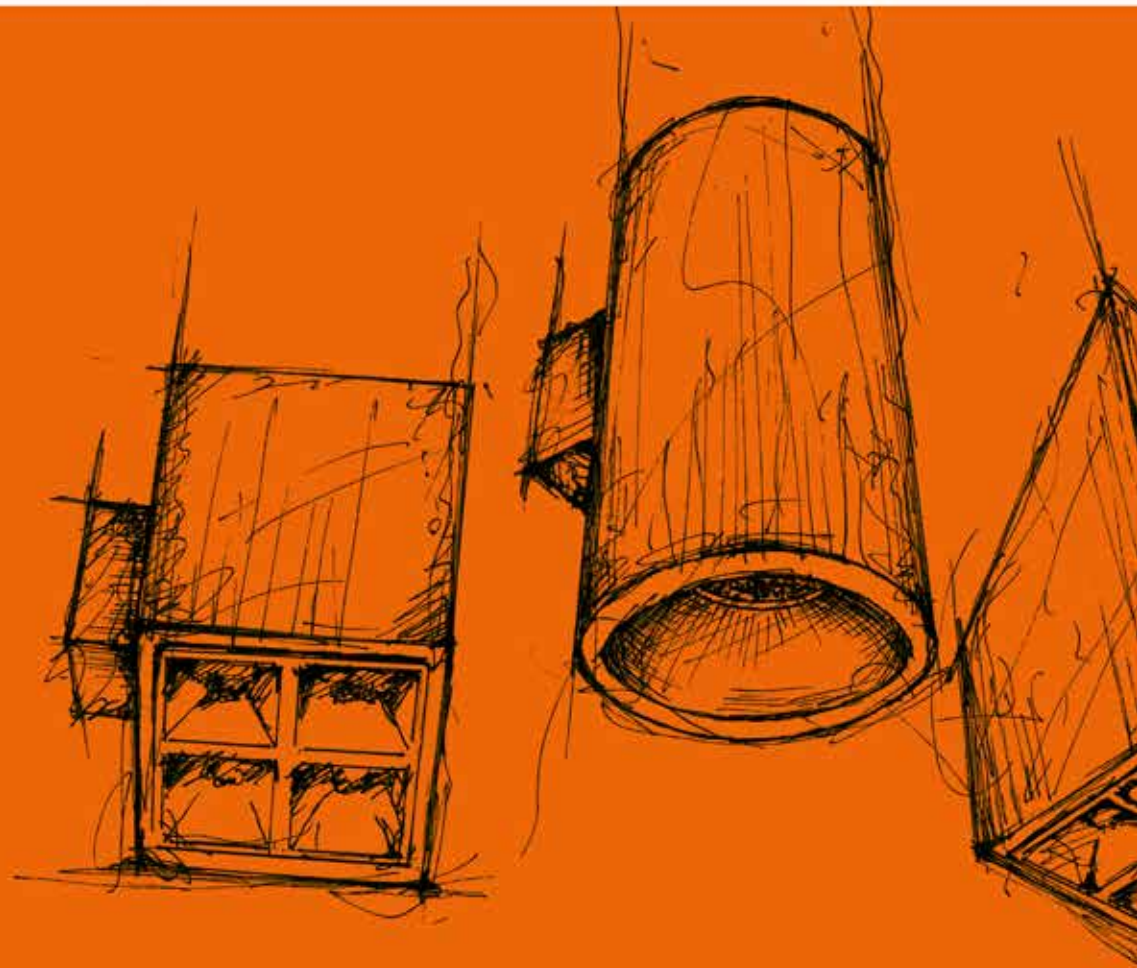
a	b	h
115	115	80

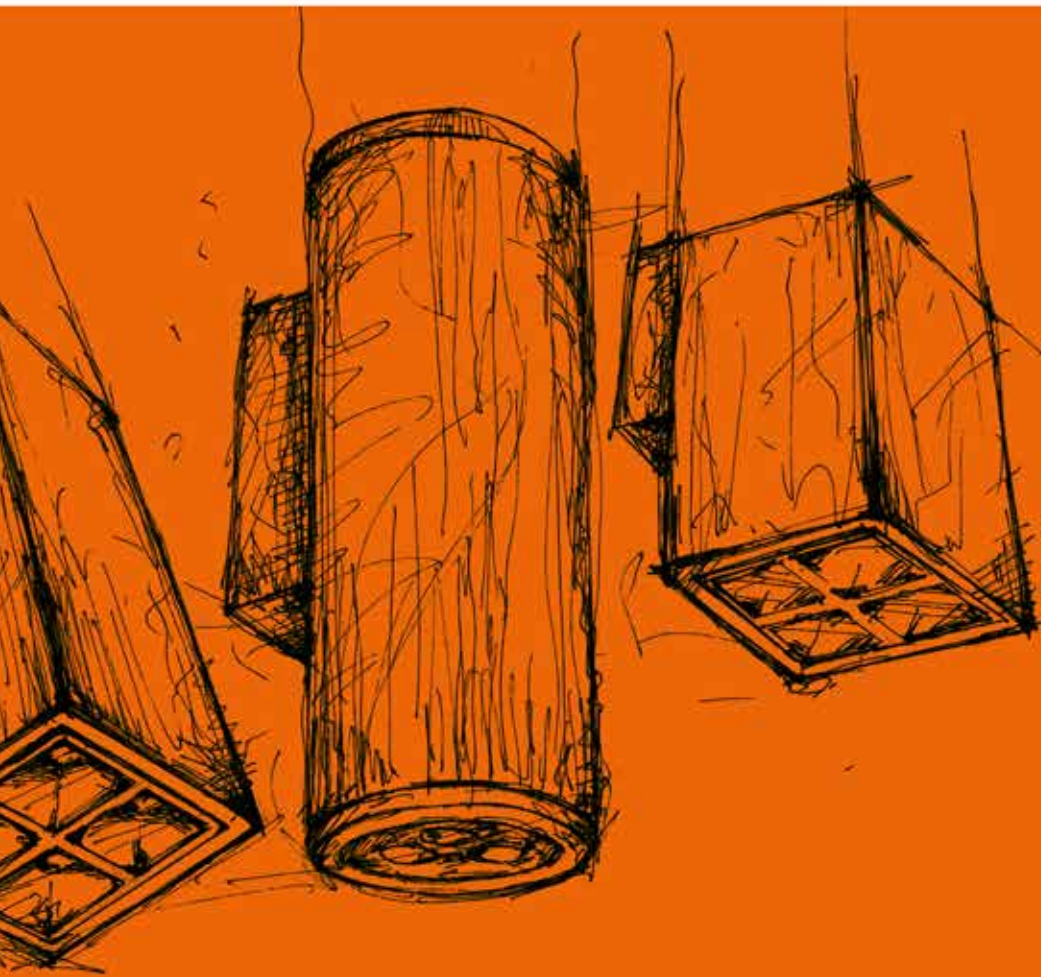
Mesh Ceiling Size
50 x 50mm

Options

- Emergency Kit : Yes (1-3 hours)
- DALI Compatibility: Yes
- CRI: > 90







WALL MOUNTED LUMINAIRES

VENO Wall Mounted



DECORATIVE WALL MOUNTED LUMINAIRE

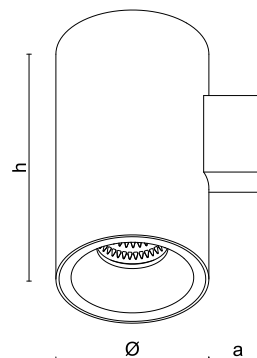


“Designed for architectural areas where you want to create a cosy and warm ambience, VENO adds difference to the atmosphere with its sharp shades and dramatic lighting zones. It does not cause glare thanks to its deeply located light source.”

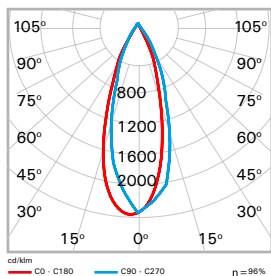
Technical Specifications

- Housing : Aluminium housing
- Optical : 24° / 36° / 60° reflector
- Light Source : COB LED
- Power : 6W / 8W / 10W / 12W / 14W
- Lumen : 636 lm / 848 lm / 1060 lm / 1272 lm / 1485 lm
- Input Voltage : 220-240V AC 50/60Hz
- Color Temp. : 2700K / 3000K / 4000K / 6500K
- CRI : > 80
- IP : IP20
- Installation : Surface Mounted
- Housing Colour : RAL 9016 / RAL 9005 / RAL 9006

Technical Drawing



Photometric Data



Dimensions (mm)

Ø	h	a
100	180	45

Options

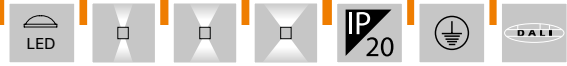
- Emergency Kit Compatibility: None
- DALI Compatibility: Yes
- Diffuser: Opal
- CRI: > 90



VENO Double Side Wall Mounted



DECORATIVE WALL MOUNTED LUMINAIRE

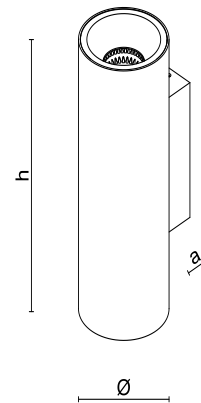


“*VENO does not cause glare thanks to its deeply located light source. It helps to create a warm and intimate atmosphere by creating a linear light distribution, sharp shades and dramatical lighting zones.*”

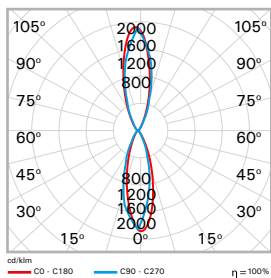
Technical Specifications

- Housing : Aluminium housing
- Optical : 24° / 36° / 60° reflector
- Light Source : COB LED
- Power : 2x6W / 2x7W / 2x10W / 2x12W / 2x14W
- Lumen : 1272 lm / 1485 lm / 2120 lm / 2544 lm / 2970 lm
- Input Voltage : 220-240V AC 50/60Hz
- Color Temp. : 2700K / 3000K / 4000K / 6500K
- CRI : > 80
- IP : IP20
- Installation : Surface Mounted
- Housing Colour : RAL 9016 / RAL 9005 / RAL 9006

Technical Drawing



Photometric Data



Dimensions (mm)

ø	h	a
100	300	28

Options

- Emergency Kit Compatibility: None
- DALI Compatibility: Yes
- Diffuser: Opal
- CRI: > 90





DECORATIVE WALL MOUNTED LUMINAIRE

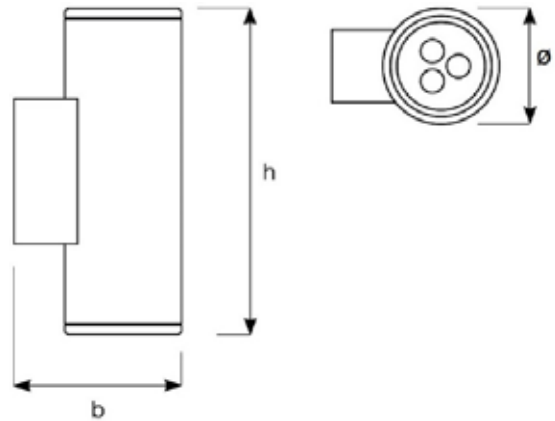


“APLIKED LED is made of aluminium profiles with a cylindrical shape. It may provide single or bi-directional light on the wall surface with its narrow-medium and wide angle choices for optics. Specifications of our LED APLIKED product are given below. You may view our categoral pages to get detailed information on LED APLIKED models.”

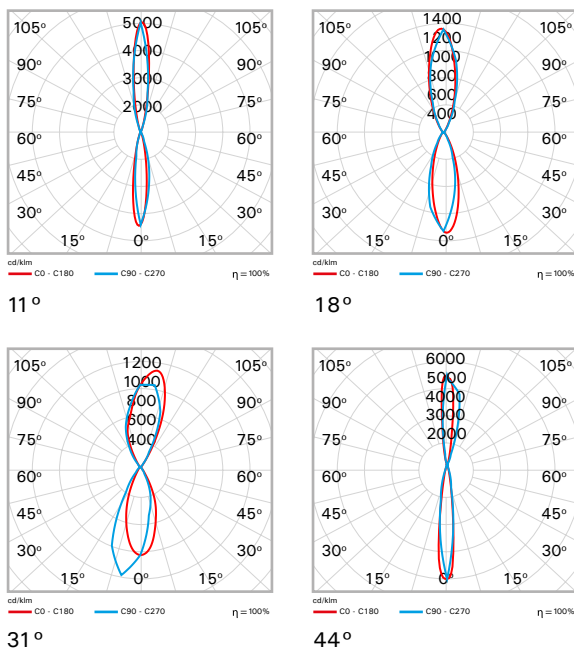
Technical Specifications

- Housing : Aluminium housing
- Optical : 11° / 18° / 31° / 44° lens
- Diffuser : Tempered transparent glass
- Light Source : SMD LED
- Power : 7 W / 8 W
- Lumen : (7 W 11°) 670 lm / (7 W 18°) 624 lm
(8 W 31°) 640 lm / (7 W 44°) 660 lm
- Input Voltage : 220-240V AC 50/60Hz
- Color Temp. : 3000K / 4000K / 5700K
- CRI : > 70
- IP : IP66
- Installation : Surface Mounted
- Housing Colour : RAL 9016 / RAL 9005 / RAL 9006

Technical Drawing

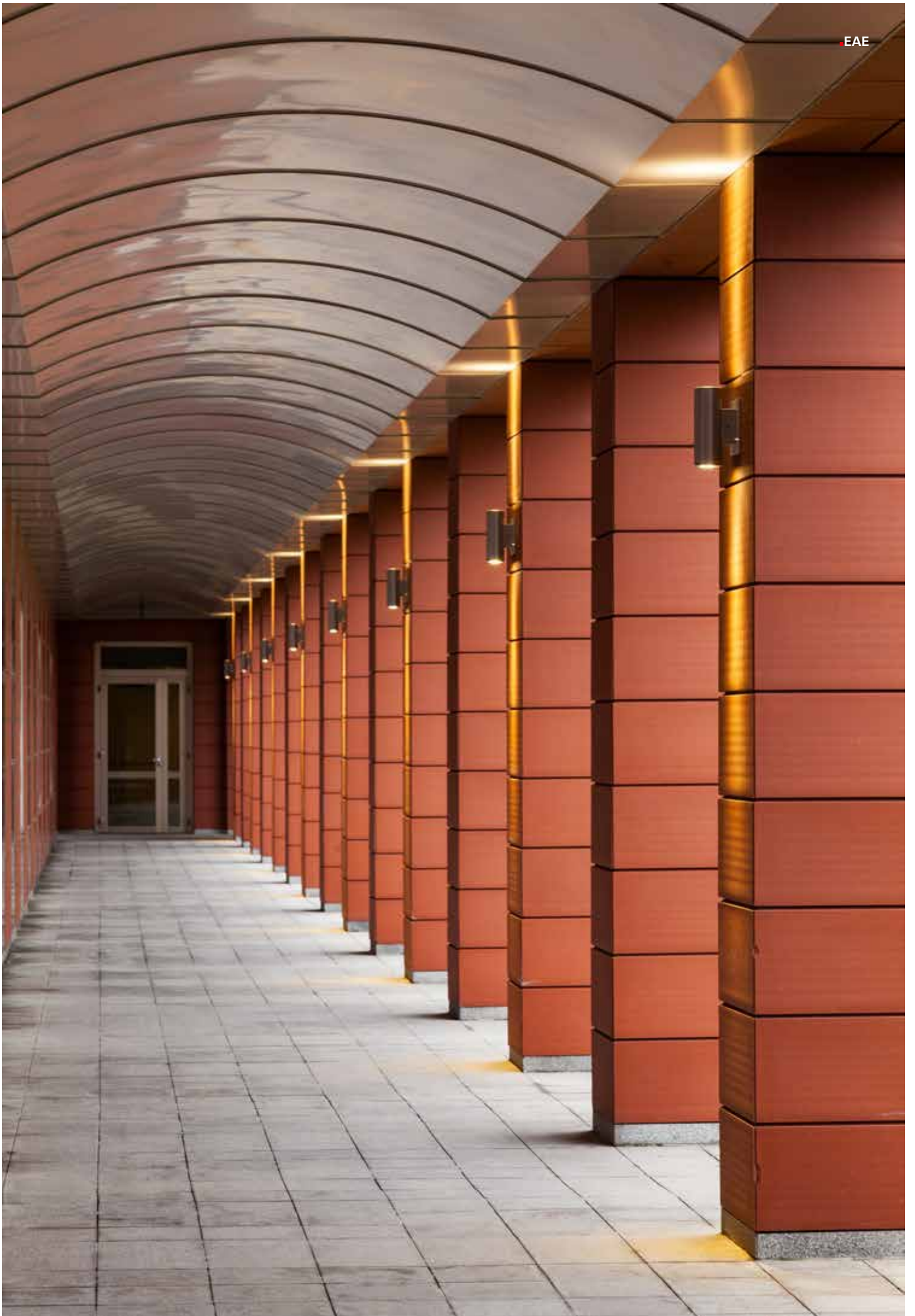


Photometric Data



Dimensions (mm)

	Ø	b	h
Standard	80	115	225



GIZA v.2 Wall Mounted Asymmetrical



DECORATIVE WALL MOUNTED LUMINAIRE

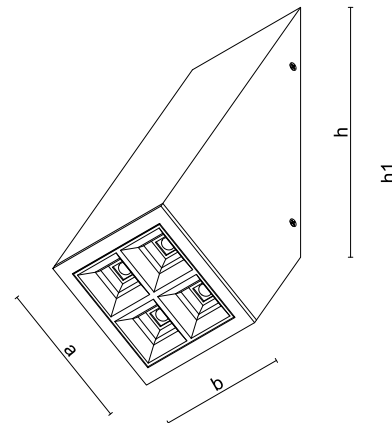


“With an appearance that looks like coming out of the wall, Giza Wall Mounted Asymmetrical has a 30° asymmetrical shape. Introducing a new look to the classical wall mounted design, Giza Wall Mounted does not cause glare thanks to its deep reflector structure. With its special base, it can be mounted differently for direct and indirect effect. Thanks to its high-efficiency special optic design lenses, Giza Wall Mounted Asymmetrical ensures circular light distribution at 50° or 80°.”

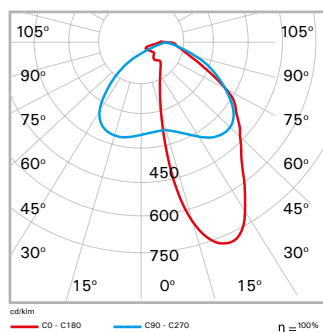
Technical Specifications

Housing	: Aluminium injection
Optical	: 50° / 80° Lens + Reflector (Black)
Light Source	: SMD LED
Power	: 6W / 8 W / 10 W / 12 W / 14 W / 20 W / 24 W / 28 W
Lumen	: 709 lm / 894 lm / 1076 lm / 1209 lm / 1376 lm / 2200 lm / 2539 lm / 2963 lm
Input Voltage	: 220-240V AC 50/60 Hz
Color Temp.	: 2700K / 3000K / 4000K / 6500K
CRI	: > 80
IP	: IP20
Installation	: Surface Mounted

Technical Drawing



Photometric Data



Dimensions (mm)

a	b	h	h1
100	100	200	275

Options

Emergency Kit Compatibility: None
 DALI Compatibility: Yes
 CRI: > 90



GIZA v.2 Wall Mounted



DECORATIVE WALL MOUNTED LUMINAIRE

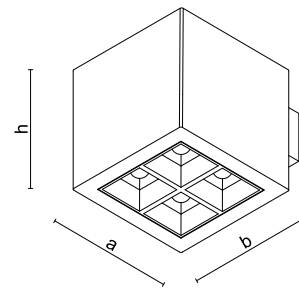


“Introducing a new look to the classical wall mounted design, Giza Wall Mounted does not cause glare thanks to its deep reflector structure. With its special base it can be mounted differently for direct and indirect effect. Thanks to its high-efficiency special optic design lenses, Giza Aplik ensures circular light distribution at 50° or 80°.”

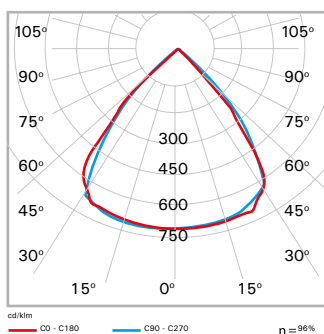
Technical Specifications

Housing	: Aluminium injection
Optical	: 50° / 80° Lens + Reflector (Black)
Light Source	: SMD LED
Power	: 6W / 8 W / 10 W / 12 W / 14 W / 20 W / 24 W / 28 W
Lumen	: 709 lm / 894 lm / 1076 lm / 1209 lm / 1376 lm / 2200 lm / 2539 lm / 2963 lm
Input Voltage	: 220-240V AC 50/60 Hz
Color Temp.	: 2700K / 3000K / 4000K / 6500K
CRI	: > 80
IP	: IP20
Installation	: Surface Mounted

Technical Drawing



Photometric Data



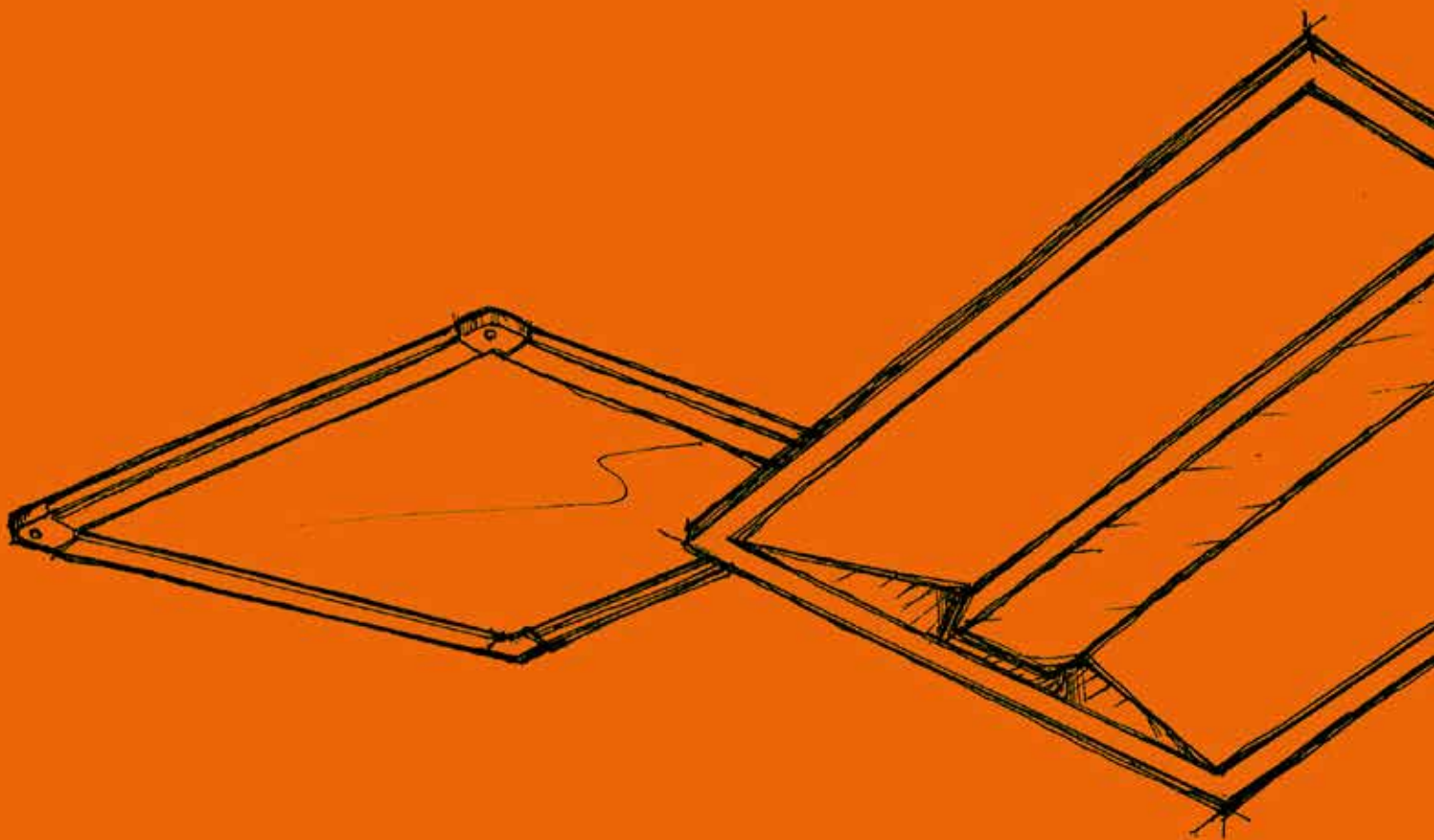
Dimensions (mm)

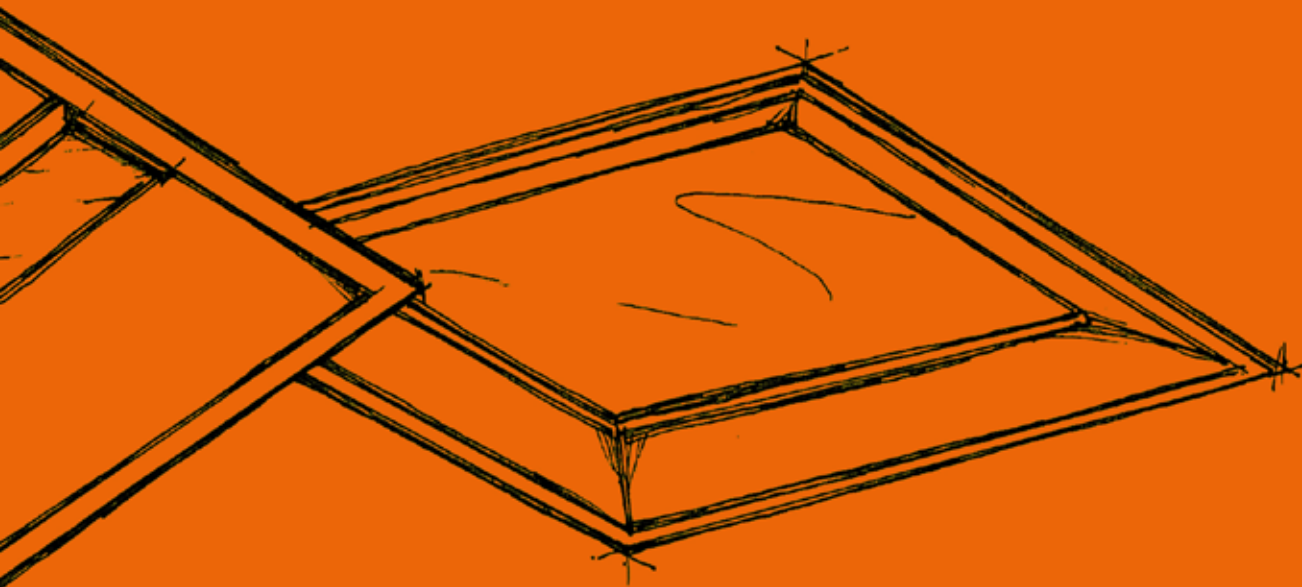
a	b	h
105	105	100

Options

Emergency Kit Compatibility: None
 DALI Compatibility: Yes
 CRI: > 90







OFFICE
LUMINAIRES



OFFICE LIGHTING LED LUMINAIRE

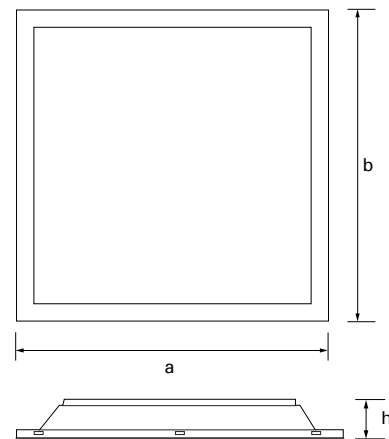


BLOOM is ideal for the lighting of offices, hospitals, schools and retail areas with its minimal body design, its body with clean finishes and its homogeneously emitted light from its opal diffuser with glare control. It may be adapted to light surfaces defined at different sizes and to the modular ceiling types.

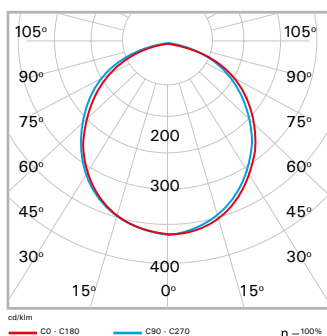
Technical Specifications

- Housing : Sheet body
- Diffuser : Opal diffuser
- Light Source : Mid Power LED
- Power : (60x60cm HE) 25 W, 29 W, 38 W, 53 W / (60x60cm ECO) 26 W
(30x30cm) 18 W / (30x60cm) 18 W / (30x90cm) 30 W
(30x120cm) 32 W, 42 W / (15x120cm) 18 W
(60x120cm) 30 W, 59 W, 68 W
- Lumen : (60x60cm HE) 3120.5 lm / 4492.9 lm / 3597.1 lm / 6127.6 lm
(60x60cm ECO) 2724.4 lm / (30x30cm) 1355.9 lm
(30x60cm) 1718.9 lm / (30x90cm) 3181.9 lm
(30x120cm) 2875.9 lm / 4595.9 lm / (15x120cm) 2397.5 lm
(60x120cm) 3463.1 lm / 5537.2 lm / 7626.7 lm
- Input Voltage : 220-240V AC 50/60Hz
- Color Temp. : 3000K / 4000K / 5700K
- CRI : > 80
- IP : IP20 / IP40
- Installation : Recessed mounted
: RAL 9003

Technical Drawing



Photometric Data



Dimensions (cm)

Type	a	b	h	Ceiling Cut Dimensions
30x30cm	295	295	60	30x30cm 275mm x 275mm
30x60cm	295	595	87	30x60cm 280mm x 580mm
30x90cm	295	895	80	30x90cm 275mm x 870mm
30x120cm	295	1195	75	30x120cm 255mm x 1155mm
15x120cm	146	1196	87	15x120cm 120mm x 1170mm
60x60cm	595	595	75	60x60cm 580mm x 580mm
60x120cm	595	1195	100	60x120cm 575mm x 1175mm

Options

- False Ceiling Compatibility: Plasterboard / Clip-in / Lay-in / Surface Mounted / Acoustic
- DALI Compatibility: Yes
- Emergency Kit: Yes (1-3 hours)



BLOOM KM

UGR < 19



OFFICE LIGHTING LED LUMINAIRE

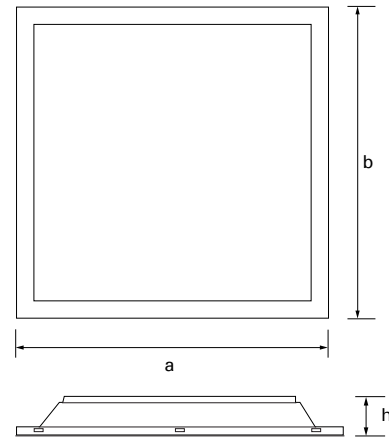


BLOOM KM is ideal for use in qualified projects where comfort is very important. Specially manufactured micro-prismatic diffuser designed with different textures ensures high level of visual comfort while it also provides the sufficient amount of lighting for the environment.

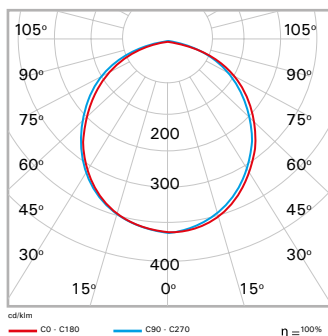
Technical Specifications

- Housing : 0.40Mm DKP body
- Diffuser : Opal + Micro-prismatic diffuser
- Light Source : Mid Power LED
- Power : 25 W / 26 W
- Lumen : 2907 lm / 2616 lm
- Input Voltage : 220-240V AC 50/60Hz
- Color Temp. : 3000K / 4000K / 5700K
- CRI : > 80
- IP : IP20 / IP40
- Installation : Recessed mounted
- Housing Colour : RAL 9003

Technical Drawing



Photometric Data



Dimensions (mm)

Type	a	b	h	Ceiling Cut Dimensions	
60x60cm	595	595	77	60x60cm	575mm x 575mm

Options

- MP Diffuser Options: Circo / Dot / Zigzag
- False Ceiling Compatibility: Plasterboard / Rockwool / Clip-in
- Emergency Kit: Yes (1-3 hours)
- DALI Compatibility: Yes





BLOOM Surface Mounted



OFFICE LIGHTING LED LUMINAIRE

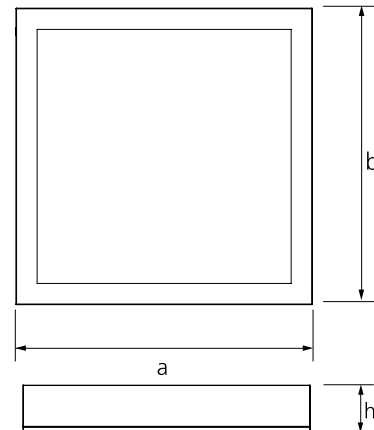


BLOOM is ideal for the lighting of offices, hospitals, schools and retail areas with its homogeneously emitted light from its opal diffuser with glare control. It may meet the lighting requirements of any interior space with its minimal body design and its body with clean finishes.

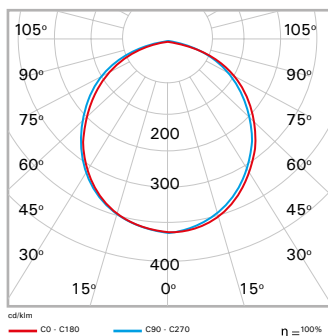
Technical Specifications

Housing	: Sheet body
Diffuser	: Opal diffuser
Light Source	: Mid Power LED
Power	: (30x30cm) 18 W / (30x60cm) 18 W / (30x120cm) 32 W (60x60cm HE) 25 W / (60x60cm ECO) 26 W / (60x60cm SLIM) 26 W (60x60cm HE) 38 W / (60x120cm) 70 W
Lumen	: 3120.5 lm / 4492.9 lm / 2724.4 lm / 2982 lm 1355.9 lm / 1718.9 lm / 2875.9 lm / 7259.7 lm
Input Voltage	: 220-240V AC 50/60Hz
Color Temp.	: 3000K / 4000K / 5700K
CRI	: > 80
IP	: IP20 / IP40
Installation	: Surface Mounted
Housing Colour	: RAL 9003

Technical Drawing



Photometric Data



Dimensions (cm)

Type	a	b	h
30x30cm	295	295	59
30x60cm	595	295	87
30x120cm	1195	295	100
60x60cm	595	595	77
60x120cm	1195	595	100

Options

False Ceiling Compatibility: Plasterboard / Rockwool / Clip in / Acoustic / Lay-in
 DALI Compatibility: Yes
 Emergency Kit : Yes (1-3 hours)





OFFICE LIGHTING LED LUMINAIRE

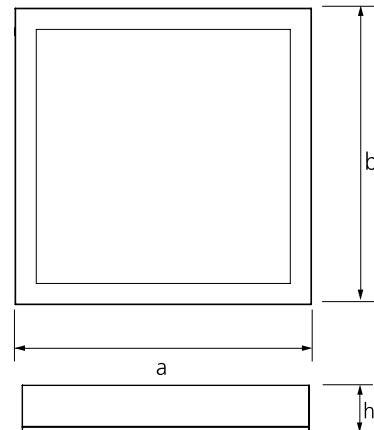


“ Capable of meeting the lighting requirements of all kinds of interior spaces with its square-shaped minimal body with clean finishes, BLOOM SLIM provides excellent performance for areas such as schools, hospitals, stores and shopping malls. This product ensures that the light is diffused in the environment homogeneously thanks to its advanced opal diffuser that control the glare. ”

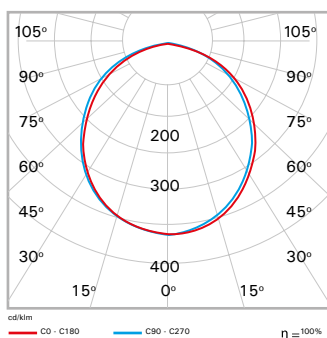
Technical Specifications

Housing	: Sheet body
Diffuser	: Opal diffuser
Light Source	: Mid Power LED
Power	: (60x60cm) 26 W
Lumen	: 2630 lm
Input Voltage	: 220-240V AC 50/60Hz
Color Temp.	: 3000K / 4000K / 5700K
CRI	: > 80
IP	: IP20
Installation	: Surface Mounted
Housing Colour	: RAL 9003

Technical Drawing



Photometric Data



Dimensions (cm)

Type	a	b	h
60x60cm	597mm	597mm	56mm

Options

DALI Compatibility: Yes
Emergency Kit : Yes (1-3 hours)



OFFICE LIGHTING LED LUMINAIRE

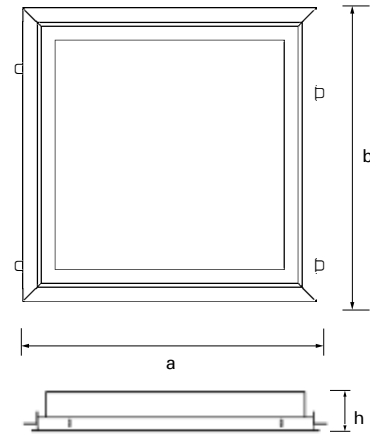


BLOOM IP65 provides an ideal lighting solution that complies with the standards in many areas that requires cleanliness and hygiene such as manufacturing of medical products and medical materials, operating rooms, intensive care units, etc.

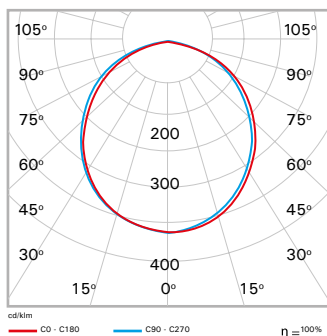
Technical Specifications

- Housing : DKP sheet body
- Diffuser : Opal diffuser
- Light Source : Mid Power LED
- Power : (60x60cm) 25 W
- Lumen : 2875 lm
- Input Voltage : 220-240V AC 50/60Hz
- Color Temp. : 3000K / 4000K / 5700K
- CRI : > 80
- IP : IP65
- Installation : Recessed mounted
- Housing Colour : RAL 9003

Technical Drawing



Photometric Data



Dimensions (mm)

Type	a	b	h
60x60cm	633	633	86

Ceiling Cut Dimensions

60x60cm	610 mm x 610 mm
---------	-----------------

Options

- False Ceiling Compatibility: Plasterboard / Rockwool / Clip-in
- DALI Compatibility: Yes
- Emergency Kit: Yes (1-3 hours)

UV-C HYGIENE LUMINAIRE



“

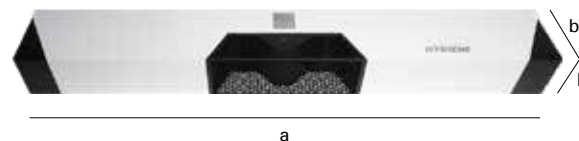
Developed so that it shall act on the ambient air, ARIS UVC neutralizes micro-organisms and minimizes the risk of bacterial spread thanks to the UVC beams. This product offers a wide range of application in many industries such as food, chemistry and educational institutions.

”

Technical Specifications

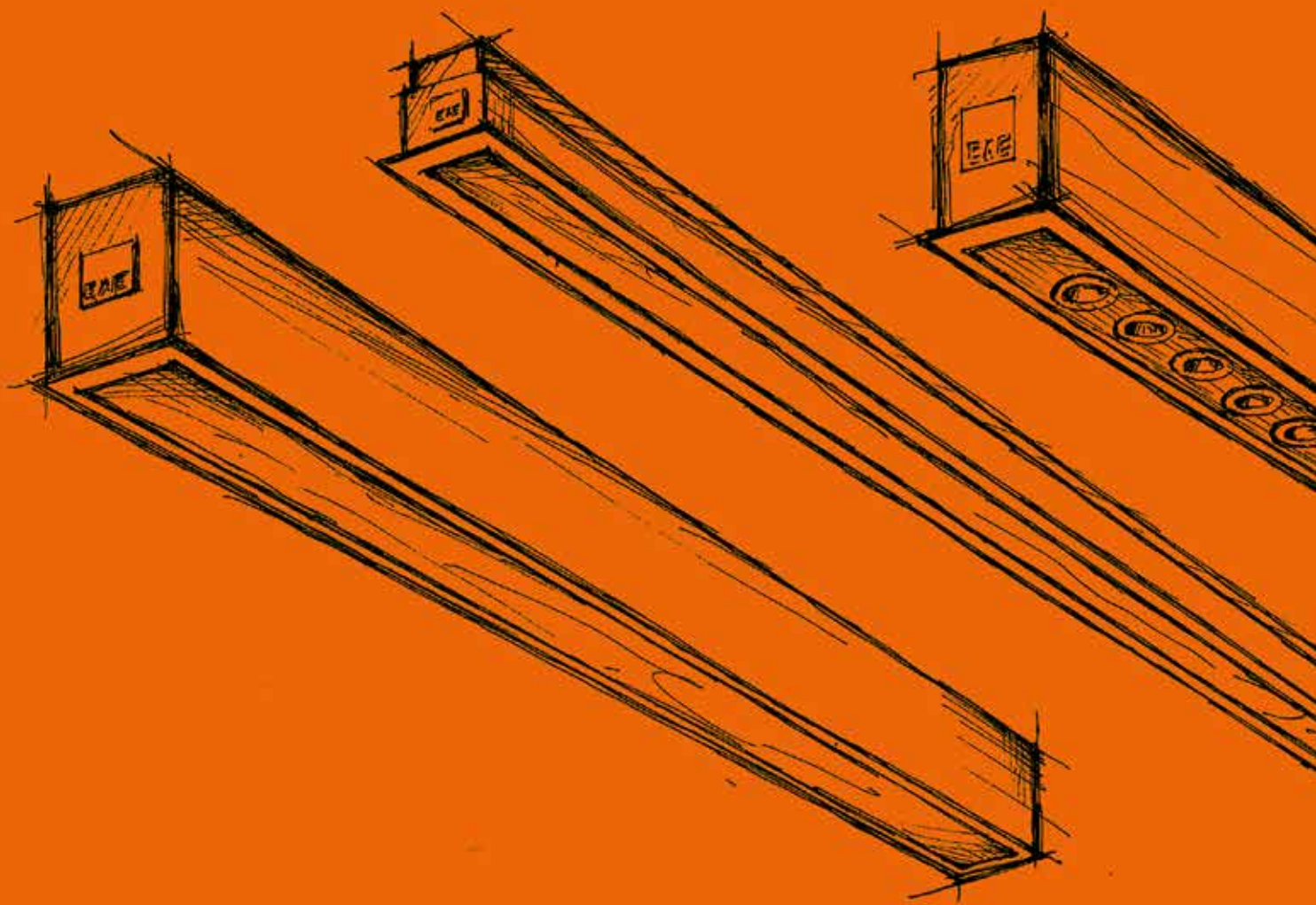
Housing	: DKP sheet body
UV-C 32W 35db	170 m ³ / Hr BASIC
UV-C 27W 33db	146 m ³ / Hr BASIC
UV-C 27W 33db	209 m ³ / Hr BASIC ECO
Light Source	: UV-C LED
Power	: 27W / 32W
Input Voltage	: 220-240V AC 50/60Hz
IP	: IP20
Installation	: Ground mounting
Housing Colour	: RAL 9005 / RAL 7047

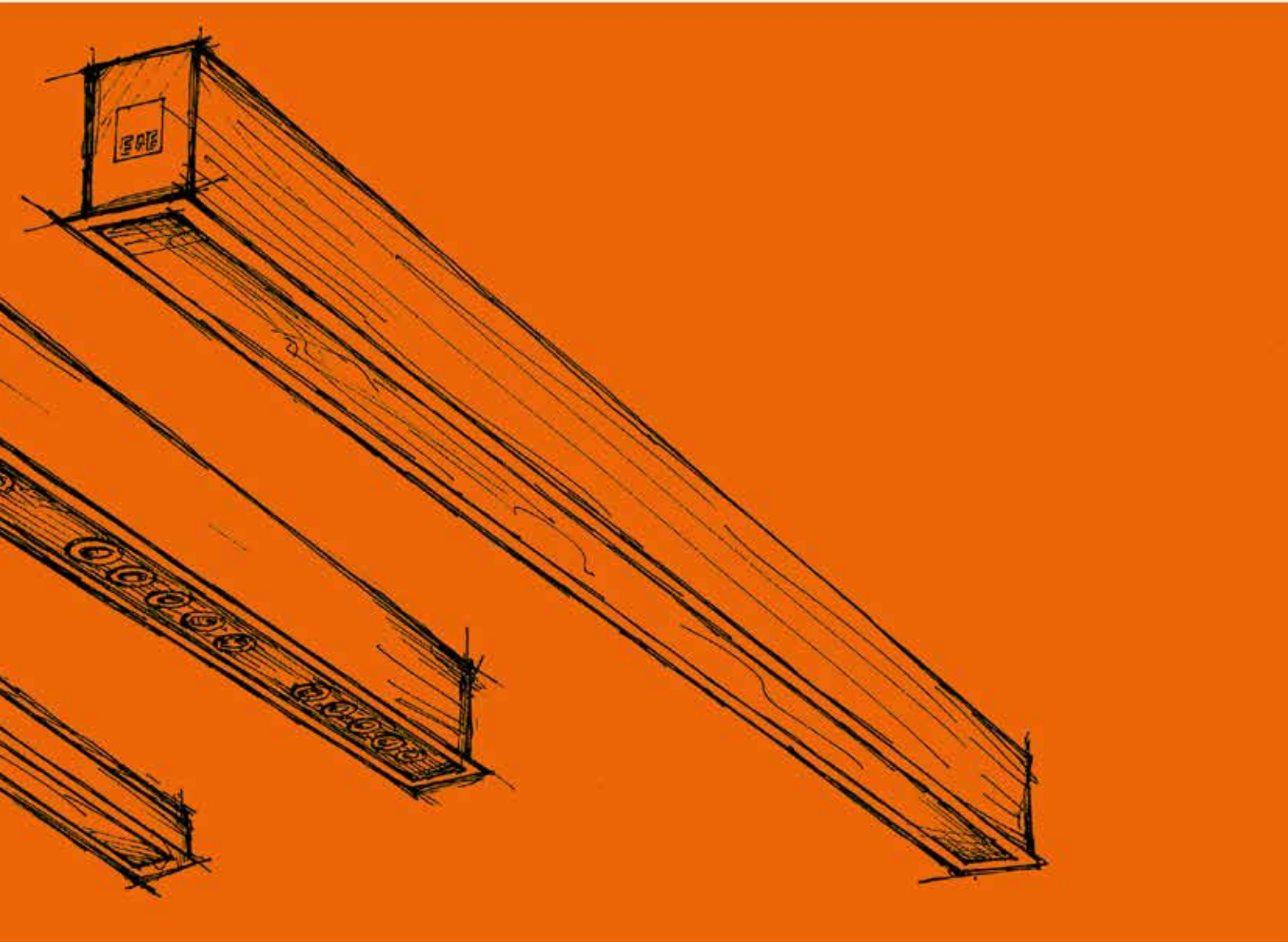
Technical Drawing



Dimensions (mm)

	a	b	h
Standard	1200	122	155





LINEAR LED LIGHTING

LUMINAIRES

STL Surface mounted / Pendant



LINEAR LED LIGHTING SYSTEM

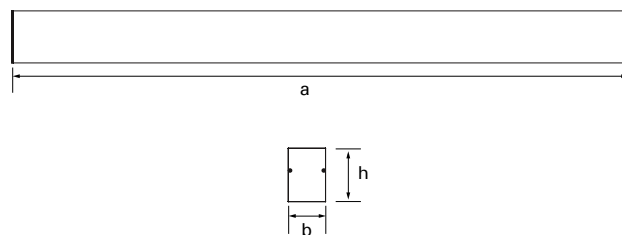


“ While STL may be used for lighting of work areas as a single module, it may also be used for creating continuous long lines. STL product family complements all lighting needs required by the architecture fully both in terms of aesthetics and technique. ”

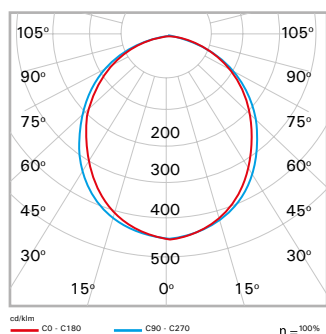
Technical Specifications

- Housing : Aluminium extrusion body, aluminium injected cover
- Optical : Specially produced high-opacity diffuser with glare control
- Light Source : Mid Power LED
- Power : 30W (90cm), 40W (120cm), 50W (150cm), 60W (180cm), 65W (200cm), 90W (300cm),
- Lumen : 2907 lm / 3876 lm / 4845 lm / 5814 lm / 6299 lm / 8721lm
- Input Voltage : 220-240V AC 50/60Hz
- Color Temp. : 2700K / 3000K / 4000K
- CRI : > 80
- IP : IP20
- Installation : Surface Mounted / Pendant
- Housing Colour : RAL 9005 / RAL 7047

Technical Drawing



Photometric Data



Options

- Emergency Kit: Yes (1-3 hours)
- DALI Compatibility : Yes

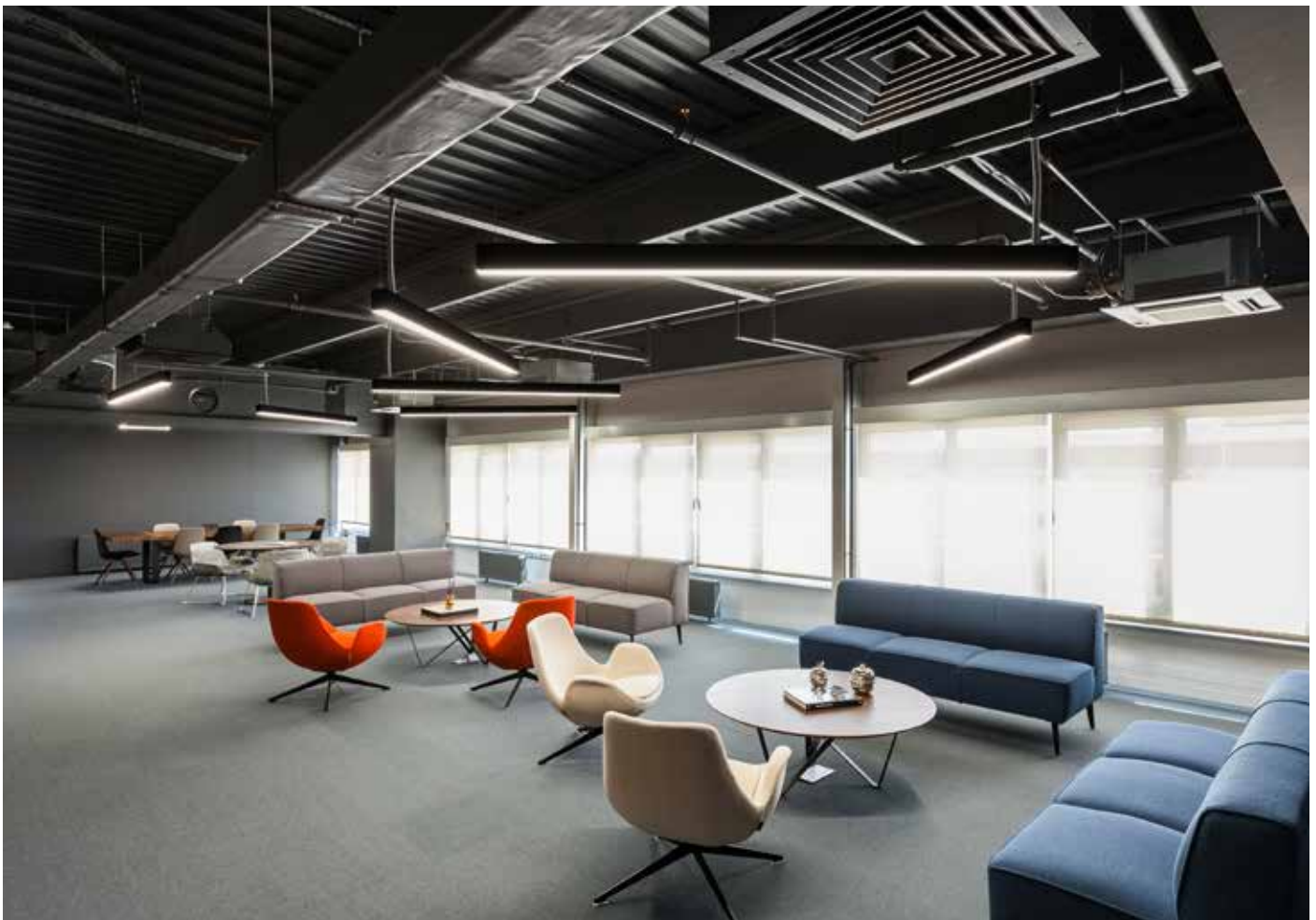
Dimensions (mm)

Single Models	a	b	h
30 W	900	50	70
40 W	1200	50	70
50 W	1500	50	70
60 W	1800	50	70
65 W	2000	50	70
80 W	2400	50	70
84 W	2500	50	70
90 W	3000	50	70
60 W	1200	65	88
90 W	1800	65	88

BS-SN Models	a	b	h
30 W	900	65	85
40 W	1200	65	85
50 W	1500	65	85
65 W	2000	65	85
80 W	2400	65	85

AR Models	a	b	h
30 W	900	65	85
40 W	1200	65	85
50 W	1500	65	85





LINEAR LED LIGHTING SYSTEM



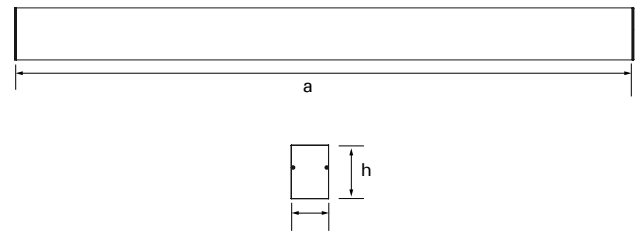
As a new member of the STL product family with its advanced body profile, STL Direct-Indirect offers perfect performance for the illumination of working areas. Besides preventing the glare thanks to the effect of the indirect light and its advanced optic structure, it also maximizes the visibility of the environment.



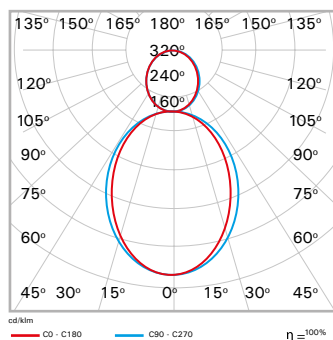
Technical Specifications

Housing	: Aluminium extrusion body and injected cover
Optical	: Specially produced high-opacity diffuser with glare control
Light Source	: Mid Power LED
Power	
Direct Optics	: 45 W / 49 W / 62 W
Indirect Optics	: 26 W / 31 W / 39 W
Lumen	
Direct Optics	: 3748 lm / 4266 lm / 5622 lm
Indirect Optics	: 2362 lm / 2802 lm / 3544 lm
Input Voltage	: 220-240V AC 50/60Hz
Color Temp.	: 2700K / 3000K / 4000K
CRI	: > 80
IP	: IP20
Installation	: Pendant
Housing Colour	: RAL 9005 / RAL 7047

Technical Drawing



Photometric Data



Dimensions (mm)

Single Models

	a	b	h
60 W	1200	65	88
90 W	1800	65	88
84 W	2800	65	88
100 W	2000	65	88
110 W	3000	65	88

BS-SN Models

	a	b	h
36 W	1800	65	88

AR Models

	a	b	h
36 W	1800	65	88

Options

Emergency Kit : Yes (1-3 hours)
DALI Compatibility : Yes

STL Recessed Mounted



LINEAR LED LIGHTING SYSTEM



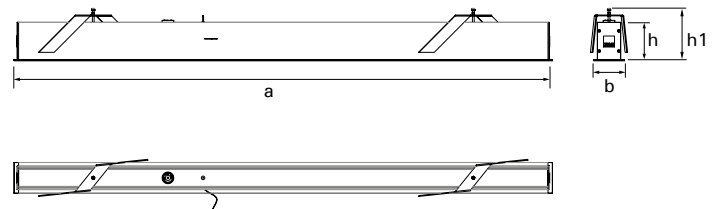
While STL may be used for lighting of work areas as a single module, it may also be used for creating continuous long lines. STL product family complements all lighting needs required by the architecture fully both in terms of aesthetics and technique.



Technical Specifications

Housing	: Aluminium extrusion body, aluminium injected cover
Optical	: Specially produced high-opacity diffuser with glare control
Light Source	: Mid Power LED
Power	: 20 W (60cm) / 30 W (90cm) / 40 W (120cm) 50 W (150cm) / 60 (180cm)
Lumen	: 1938 lm / 2907 lm / 3876 lm / 4845 lm / 5814 lm
Input Voltage	: 220-240V AC 50/60Hz
Color Temp.	: 2700K / 3000K / 4000K
CRI	: > 80
IP	: IP20
Installation	: Recessed mounted
Housing Colour	: RAL 9005 / RAL 7047

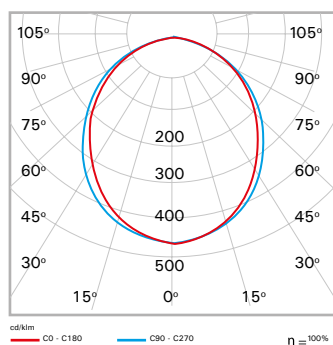
Technical Drawing



Ceiling Cut Dimensions

Power	Module Type	Dimensions
20 W	Single Module	604mm x 54mm
30 W	Single Module	904mm x 54mm
40 W	Single Module	1204mm x 54mm
50 W	Single Module	1504mm x 54mm
60 W	Single Module	1804mm x 54mm
65 W	Single Module	2004mm x 54mm

Photometric Data



Options

Emergency Kit: Yes (1-3 hours)
 DALI Compatibility : Yes

Dimensions (mm)

Single Models

	a	b	h	h1
20 W	617	67	70	100
30 W	917	67	70	100
40 W	1217	67	70	100
50 W	1517	67	70	100
60 W	1817	67	70	100
65 W	2017	67	70	100

BS-SN Models

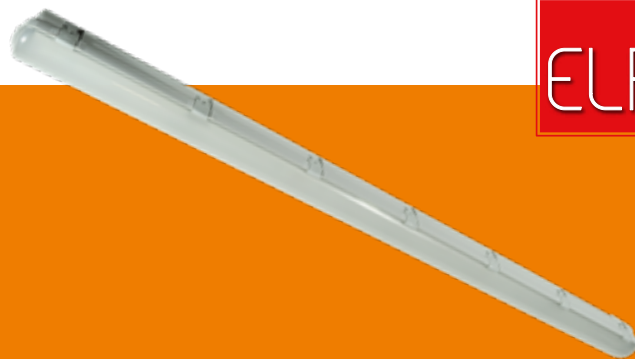
	a	b	h	h1
40 W	1208	67	70	100
50 W	1508	67	70	100
60 W	1808	67	70	100

AR Models

	a	b	h	h1
40 W	1200	67	70	100
50 W	1500	67	70	100
60 W	1800	67	70	100



LINEAR LED LIGHTING SYSTEM



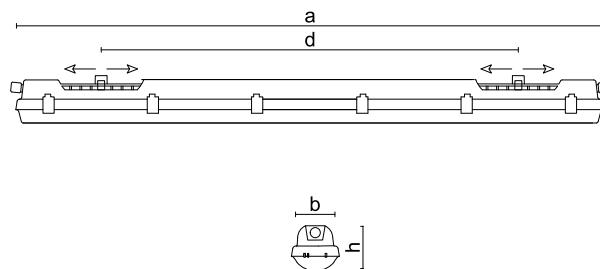
With its conventional product body structure, TORNADO ETANJ is ideal for projects where the balanced combination of economy and energy efficiency is required. Offers different lumen package and size options.



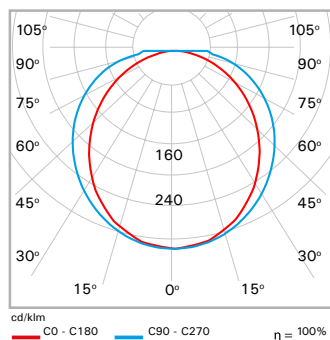
Technical Specifications

Housing	: Polycarbonate Body
Optical	: Polycarbonate opal cover
Light Source	: Mid Power LED
Power	
1200 mm	: 30 W / 40 W / 50 W
1500 mm	: 50W / 60W / 70W / 80W
Lumen	
1200 mm	: 4050 lm / 5400 lm / 6750 lm
1500 mm	: 6750 lm / 8100 lm / 10800 lm
Input Voltage	: 220-240V AC 50/60Hz
Color Temp.	: 2700K / 3000K / 4000K
CRI	: > 80
IP	: IP66
Installation	: Surface Mounted
Housing Colour	: Polycarbonate Body

Technical Drawing



Photometric Data



Dimensions (mm)

TRS Etange 120

Type	a	b	h	d
30 W	1175	98	84	700 - 960
40 W	1175	98	84	700 - 960
50 W	1175	98	84	700 - 960

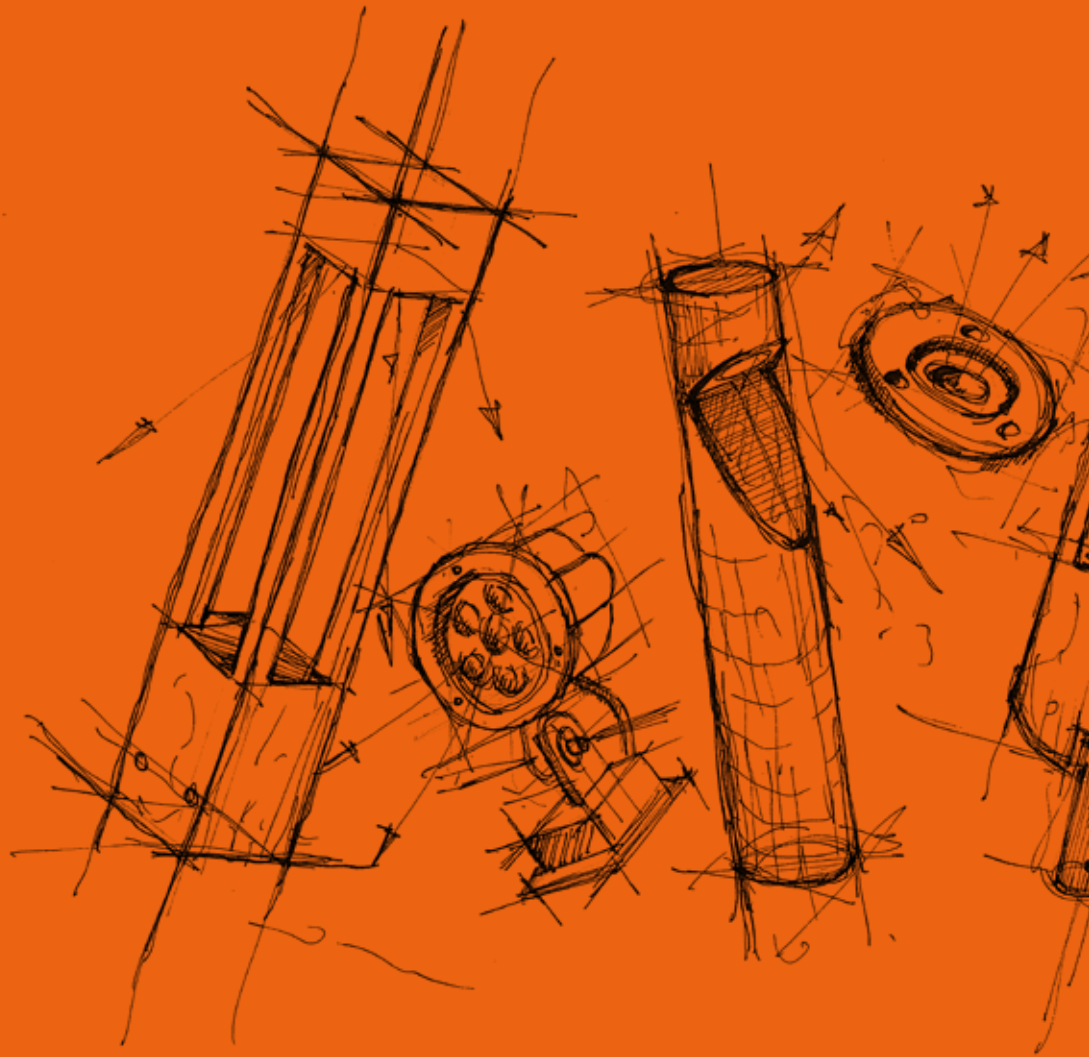
TRS Etange 150

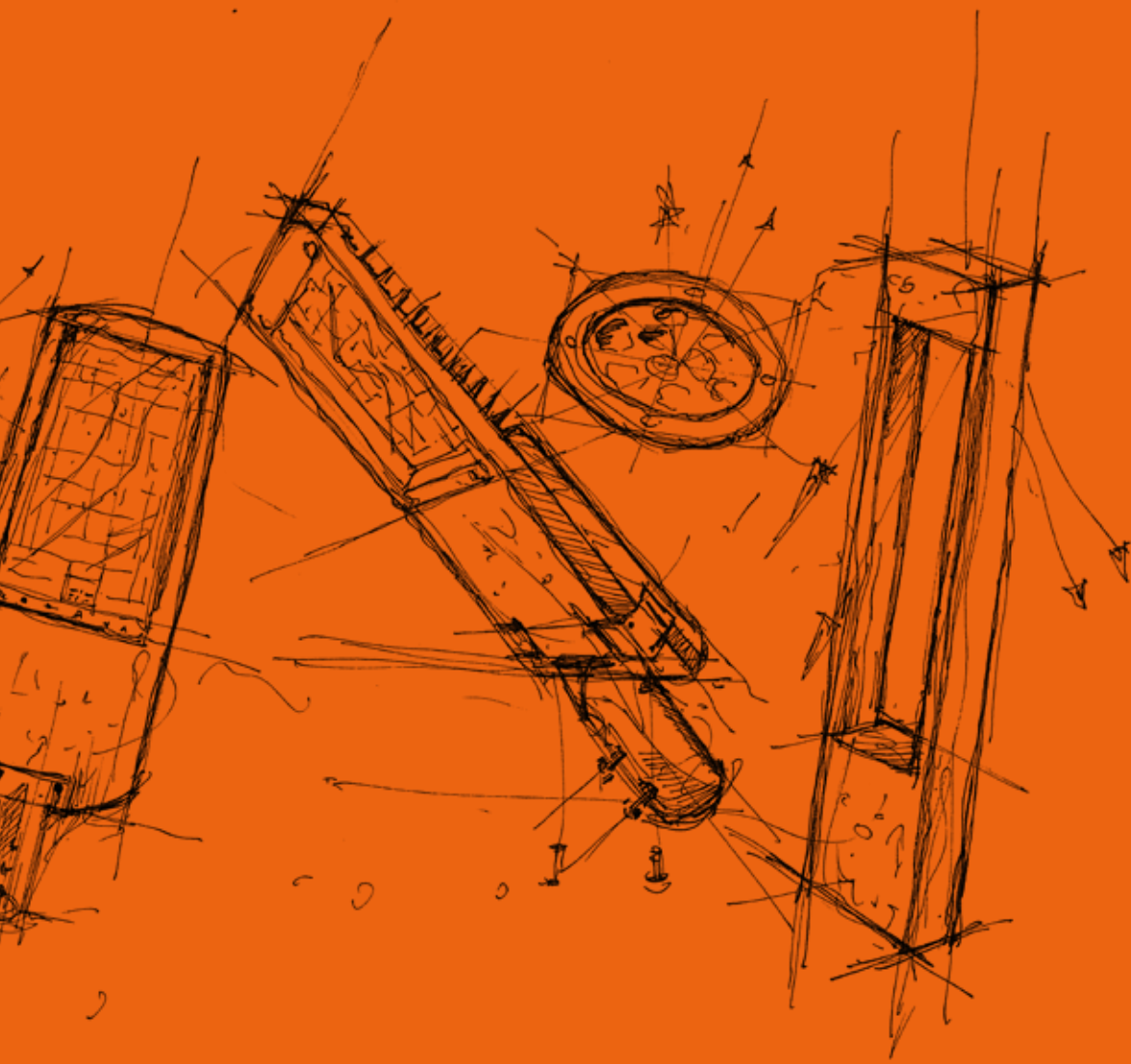
Type	a	b	h	d
50 W	1455	98	84	970 - 1230
60 W	1455	98	84	970 - 1230
70 W	1455	98	84	970 - 1230
80 W	1455	98	84	970 - 1230

Options

Emergency Kit : Yes (1-3 hours)
DALI Compatibility : Yes







LANDSCAPING LUMINAIRES

HORUS-1



LANDSCAPING LUMINAIRES

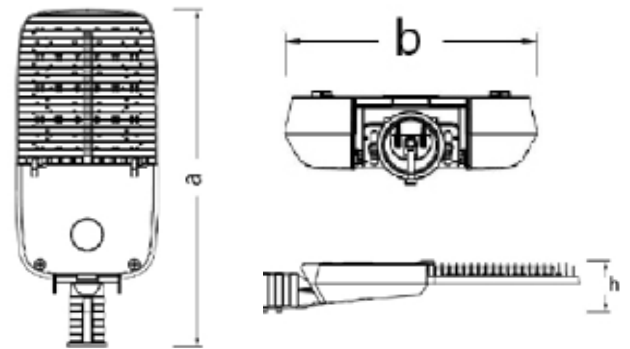


“Allowing you to save energy at affordable costs with its advanced LED technology, Horus-1 is perfect for outdoor lighting with its durable body structure. This product, which has an aesthetic appearance, is designed as per TEDAŞ specifications. Thus, its rear covers are easy to open. With all these features, Horus-1 meets the lighting requirements in many of the living spaces in the best way.”

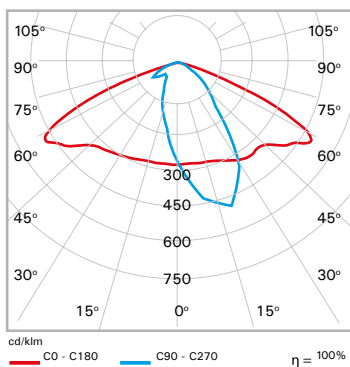
Technical Specifications

Housing	: Aluminium injection housing
Optical	: 100° / 110°
Light Source	: Mid Power LED
Power	: 32W / 54W / 63W / 87W / 115W
Lumen	: 4160lm / 7020lm / 8200lm / 11300lm / 15000lm
Input Voltage	: 220-240V AC 50/60Hz
Color Temp.	: 4000K / 5000K / 6500K
CRI	: > 80
IP	: IP66
Installation	: Pillar
Housing Colour	: SW306G Smoked Gray

Technical Drawing



Photometric Data



Dimensions (mm)

	a	b	h
Standard	601	243	120

Options

DALI Compatibility : Yes
DIMKO Compatibility: Yes



HORUS-2



LANDSCAPING LUMINAIRES

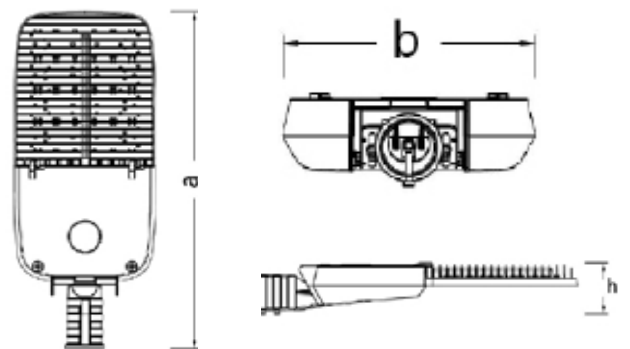


“Designed for outdoor lighting, Horus-2 meets the lighting requirements in many of the living spaces with its high-strength and aesthetic body structure. Designed as per the TEDAŞ specifications, the rear covers of this product are easy to open. This product allows you to save energy at affordable costs with its advanced LED technology.”

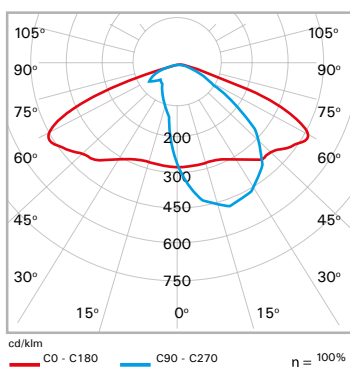
Technical Specifications

- Housing : Aluminium injection housing
- Optical : 100°
- Light Source : Mid Power LED
- Power : 86W / 113W / 130W / 153W / 170W
- Lumen : 11610 lm / 15255 lm / 17550 lm / 20655 lm / 23000 lm
- Input Voltage : 220-240V AC 50/60Hz
- Color Temp. : 4000K / 5000K / 6500K
- CRI : > 80
- IP : IP66
- Installation : Pillar
- Housing Colour : SW306G Smoked Gray

Technical Drawing



Photometric Data



Dimensions (mm)

	a	b	h
Standard	721	313	120

Options

- DALI Compatibility : Yes
- DIMKO Compatibility: Yes



LANDSCAPING LUMINAIRES

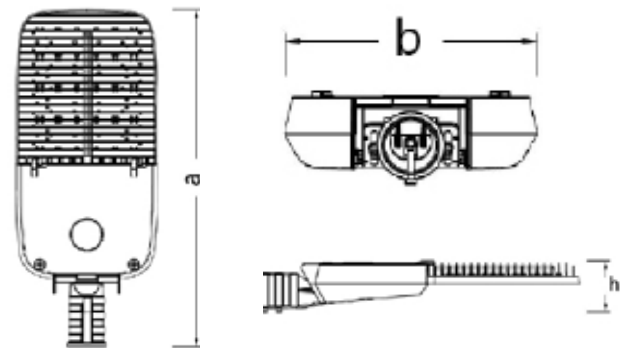


“*Osiris, a high performance LED street lighting fixture, perfectly meets the lighting requirements of outdoor areas reaching ambient operating temperatures of +50°C, thanks to its optimized body and tempered transparent glass which provide maximum strength of P66 and IK08.*”

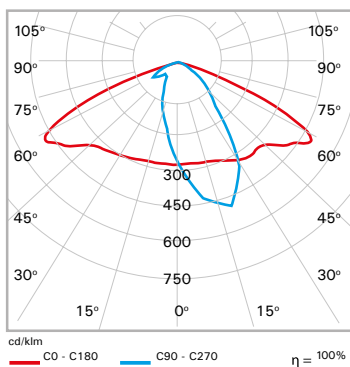
Technical Specifications

- Housing : Aluminium extrusion body, aluminium injected cover
- Optical : 60°
- Light Source : Power LED
- Power : 250W / 272W / 310W / 355W / 415W
- Lumen : 30000lm / 33000lm / 36000lm / 40000lm / 45000lm
- Input Voltage : 220-240V AC 50/60Hz
- Color Temp. : 4000K / 5000K / 6500K
- CRI : > 80
- IP : IP66
- Installation : Pillar
- Housing Colour : RAL 9005 / RAL 7047

Technical Drawing



Photometric Data



Dimensions (mm)

	a	b	h
Standard	910	320	112

Options

- DALI Compatibility : Yes
- DIMKO Compatibility: Yes

LANDSCAPING LUMINAIRES

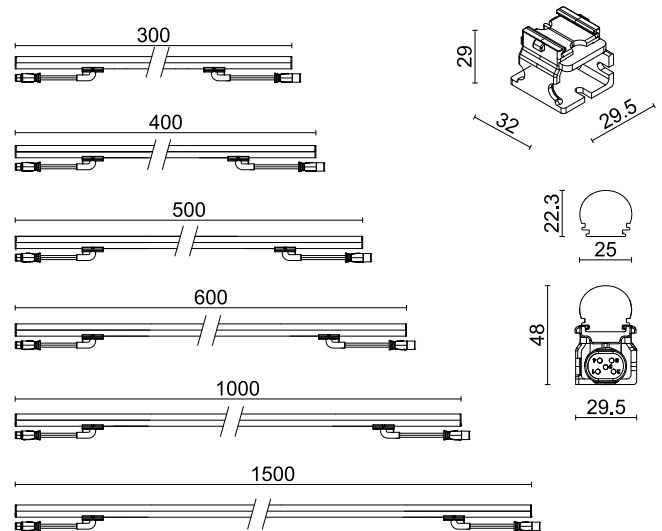


D-BAR FLP, which provides an effective contour effect particularly in linear façade lighting and offers a seamless installation option with IP connectors, creates a sense of depth as a light beam that flows on decorative landscape objects such as railings, step lighting and sitting benches as a concealed lighting. Offering the advantage of a wide usage range, this product is a linear façade lighting luminaire.

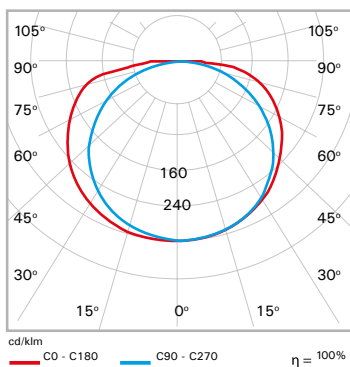
Technical Specifications

Housing	: UV Protected Polycarbonate / Grey
Optical	: 126° UV Protected Polycarbonate
Light Source	: SMD LED
Power	: 3 W / 4 W / 5 W / 6 W / 10 W / 15W
Lumen	: 155 lm / 206 lm / 258.5 lm / 310.2 lm / 517 lm / 775 lm
Input Voltage	: 220-240V AC 50/60Hz
Color Temp.	: 4000K
CRI	: > 80
IP	: IP66
Installation	: Concealed Lighting
Housing Colour	: RAL 9005 / RAL 7047

Technical Drawing



Photometric Data



Dimensions (mm)

	a	b	h
30cm	29.5	300	48
40cm	29.5	400	48
50cm	29.5	500	48
60cm	29.5	600	48
100cm	29.5	1000	48
150cm	29.5	1500	48

Note : It shall be supplied with a maximum 10 meters of D-BAR with a power source to a single direction from a single point.

Options

Emergency Kit : Yes (1-3 hours) (External)
 Driver: On/Off - DALI (External)
 CRI: > 90





LANDSCAPING LUMINAIRES

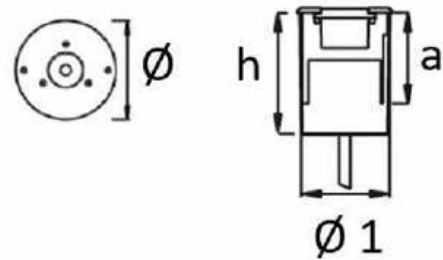


ELECTRA V.2 3W is used in the illumination of landscaping items such as trees, pillars, statues, façades, etc. It is also preferred as a decorative trace lighting in the lighting of steps and walkways with its 3W version.

Technical Specifications

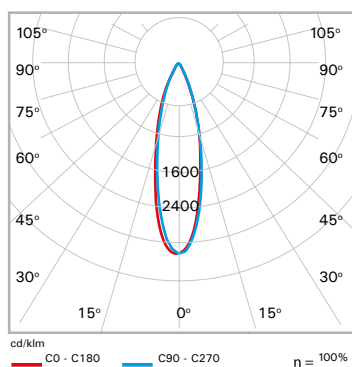
Housing	: Aluminium Cast
Optical	: 25° Lens
Light Source	: Power LED
Power	: 3.4W
Lumen	: 165.2 lm
Input Voltage	: 220-240V AC 50/60Hz
Color Temp.	: 3000K / 4000K / 6500K
CRI	: > 70
IP	: IP67
Installation	: Ground mounting
Housing Colour	: RAL 9005 / RAL 7047

Technical Drawing



Aluminium built-in installation housing

Photometric Data



Dimensions (mm)

	Ø	h	Ø1	h1
Standard	95	101	66	75

Options

Emergency Kit: None



LANDSCAPING LUMINAIRES

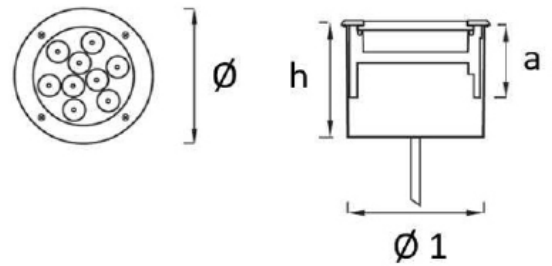


ELECTRA V.2 11W is used for the illumination of trees with different landscape illumination techniques in order to achieve impressive designs. It can be applied with various light intensities and various colours and designs.

Technical Specifications

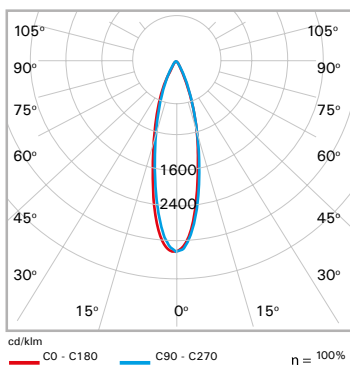
Housing	: Aluminium Cast
Optical	: 25° Lens
Light Source	: Power LED
Power	: 11 W
Lumen	: 473 lm
Input Voltage	: 220-240V AC 50/60Hz
Color Temp.	: 3000K / 4000K / 6500K
CRI	: > 70
IP	: IP67
Installation	: Ground mounting
Housing Colour	: RAL 9005 / RAL 7047

Technical Drawing



Aluminium built-in installation housing

Photometric Data



Options

Emergency Kit: None

Dimensions (mm)

	Ø	h	Ø1	h1
Standard	135	101	126	65



LANDSCAPING LUMINAIRES



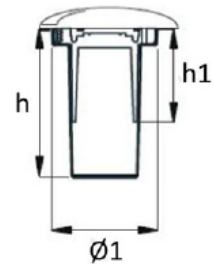
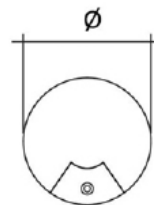
Electra Mono, which can be used as trace lighting in architectural designs, is used as an orientation light for the illumination of steps and pathways.



Technical Specifications

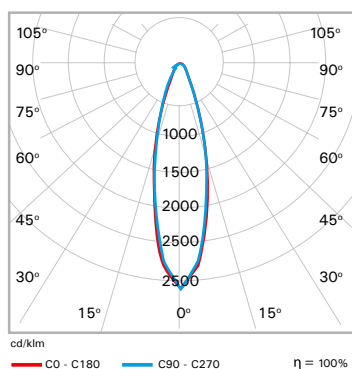
Housing	: Aluminium Cast
Optical	: Transparent Acrylic
Light Source	: Power LED
Power	: 3W
Lumen	: 113 lm
Input Voltage	: 220-240V AC 50/60Hz
Color Temp.	: 3000K / 4000K / 6500K
CRI	: > 70
IP	: IP67
Installation	: Ground mounting
Housing Colour	: RAL 9005 / RAL 7047

Technical Drawing



Aluminium built-in installation housing

Photometric Data



Dimensions (mm)

	Ø	h	Ø1	h1
Standard	80	100	70	63

Options

Emergency Kit: None



LANDSCAPING LUMINAIRES

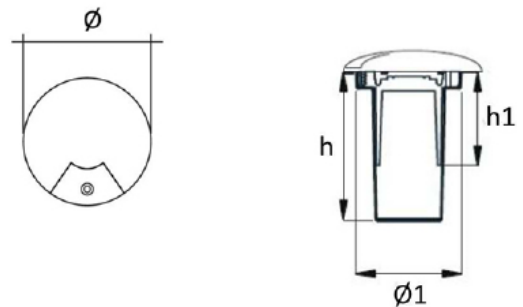


“*Electra Dual, which can be used as orientation light, is perfect for the illumination of steps and pathways. Also, this product is suitable for architectural designs where a trace lighting is required.*”

Technical Specifications

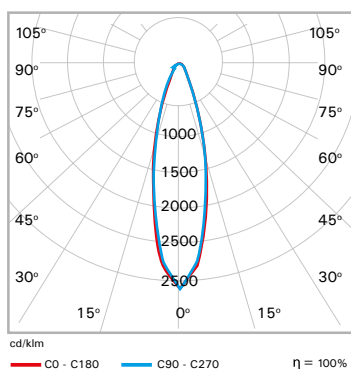
Housing	: Aluminium Injection Housing
Optical	: Transparent Acrylic
Light Source	: Power LED
Power	: 3 W
Lumen	: 113 lm
Input Voltage	: 220-240V AC 50/60Hz
Color Temp.	: 3000K / 4000K / 6500K
CRI	: > 70
IP	: IP67
Installation	: Ground mounting
Housing Colour	: RAL 9005 / RAL 7047

Technical Drawing



Aluminium built-in installation housing

Photometric Data



— C0 - C180 — C90 - C270 η = 100%

Options

Emergency Kit: None

Dimensions (mm)

	Ø	h	Ø1	h1
Standard	80	100	70	63



LANDSCAPING LUMINAIRES



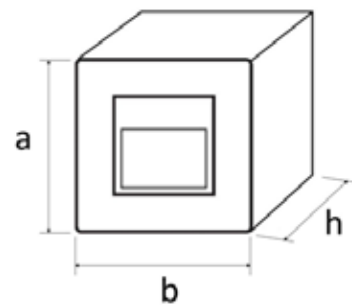
Wato Surface Mounted, which can be easily integrated with different light intensity, colour and design options, may be used in open spaces, halls and steps besides the walkways. Impressive designs are achieved in landscape illumination with different techniques.



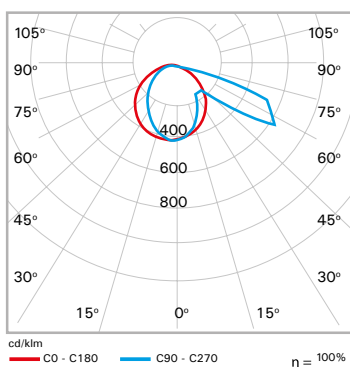
Technical Specifications

Housing	: Aluminium housing
Optical	: Tempered glass
Light Source	: Mid Power LED
Power	: 4 W
Lumen	: 96 lm
Input Voltage	: 220-240V AC 50/60Hz
Color Temp.	: 3000K / 4000K / 5700K
CRI	: > 80
IP	: IP65
Installation	: Surface Mounted
Housing Colour	: RAL 9003

Technical Drawing



Photometric Data



Dimensions (mm)

a	b	h
80	80	45

Options

Emergency Kit : None





LANDSCAPING LUMINAIRES

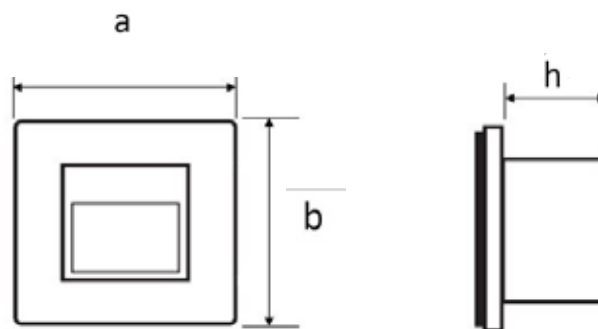


“WATO Recessed Mounted is used for the illumination of halls, steps, open spaces and walkways with different landscape illumination techniques in order to achieve impressive designs. It can be applied with various light intensities and various colours and designs.”

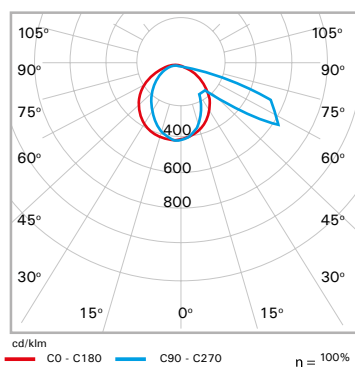
Technical Specifications

Housing	: Aluminium housing
Optical	: Tempered glass
Light Source	: Mid Power LED
Power	: 4 W
Lumen	: 96 lm
Input Voltage	: 220-240V AC 50/60Hz
Color Temp.	: 3000K / 4000K / 5700K
CRI	: > 80
IP	: IP65
Installation	: Recessed mounted
Housing Colour	: RAL 9003

Technical Drawing



Photometric Data



Options

Emergency Kit : None

Dimensions (cm)

a	b	h
80	80	39



LANDSCAPING LUMINAIRES

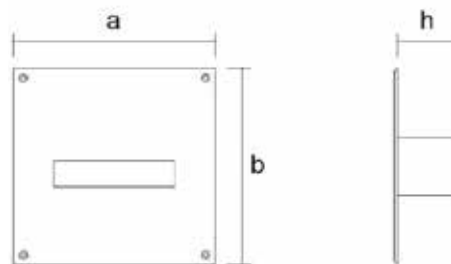


“Wato XL offers a multi-directional lighting in the design of architectural areas, and it is used for the illumination of halls, steps, open spaces and walkways with different landscape illumination techniques in order to achieve impressive designs.”

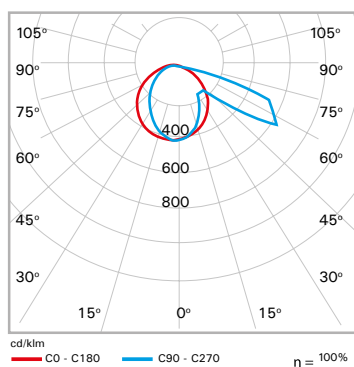
Technical Specifications

Housing	: Stainless steel body
Optical	: Transparent tempered glass
Light Source	: Mid Power LED
Power	: 3W
Lumen	: 98 lm
Input Voltage	: 220-240V AC 50/60Hz
Color Temp.	: 3000K
CRI	: > 80
IP	: IP65
Installation	: Recessed mounted
Housing Colour	: Stainless steel
Electrical control	: On / Off

Technical Drawing



Photometric Data



Options

Emergency Kit: None

Dimensions (mm)

a	b	h
185	185	56

ELECTRA Grass Spot



LANDSCAPING LUMINAIRES

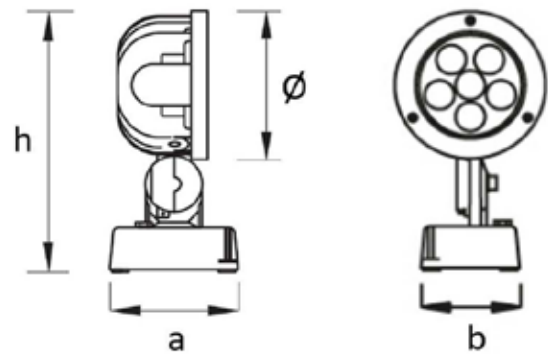


“*Electra Grass Spot is used for the illumination of trees with different landscape illumination techniques in order to achieve impressive designs. It can be applied with various light intensities and various colours and designs.*”

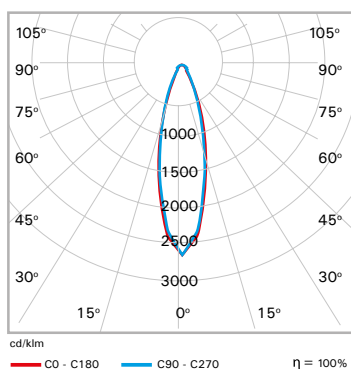
Technical Specifications

Housing	: Aluminium injection housing
Optical	: 25°
Light Source	: Power LED
Power	: 18W
Lumen	: 1430 lm
Input Voltage	: 220-240V AC 50/60Hz
Color Temp.	: 3000K / 4000K / 6500K
CRI	: > 70
IP	: IP67
Installation	: Ground mounting
Housing Colour	: RAL 9005 / RAL 7047

Technical Drawing



Photometric Data

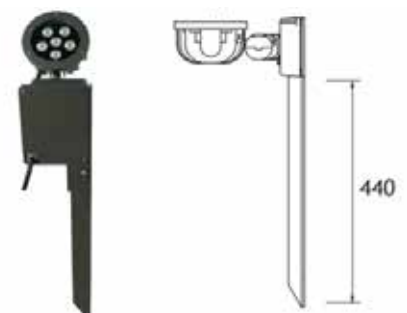


Options

Emergency Kit: None

Dimensions (mm)

Ø	a	b	h
107	130	100	188



CAPELLA Bollard



BOLLARD LIGHTING LED LUMINAIRE



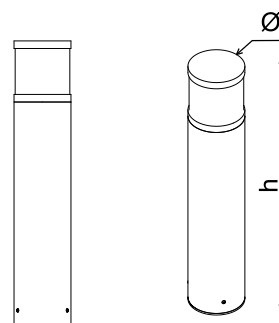
Offering a safe lighting experience particularly in landscape areas where a decorative ambience is desired, Capella Bollard meets the lighting requirement of grass and walking paths in the best way.



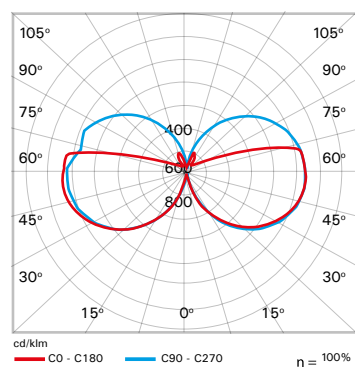
Technical Specifications

Housing	: Aluminium body (Chromate coated)
Optical	: Acrylic Diffuser
Light Source	: COB LED
Power	: 15 W
Lumen	: 468 lm
Input Voltage	: 220-240V AC 50/60Hz
Color Temp.	: 4000K
CRI	: > 80
IP	: IP66
Installation	: Ground mounting
Housing Colour	: RAL 7016

Technical Drawing



Photometric Data



Options

Emergency Kit	: None
DALI Compatibility	: Yes

Dimensions (mm)

Ø	h
150	750



CAPELLA Column



COLUMNS LIGHTING LED LUMINAIRE



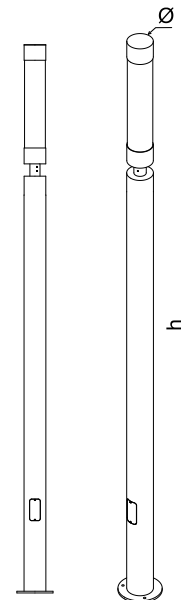
Particularly used to create a decorative environment in landscaping spaces, Capella Pillar is the safe choice for the illumination of walking paths and grass.



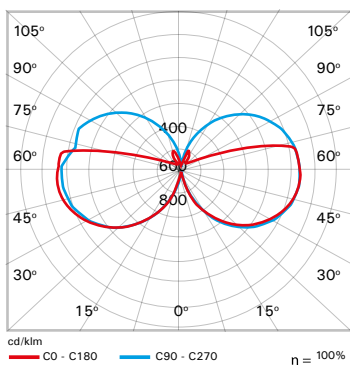
Technical Specifications

Housing	: Aluminium body (Chromate coated)
Optical	: Acrylic Diffuser
Light Source	: COB LED
Power	: 20 W
Lumen	: 1820 lm
Input Voltage	: 220-240V AC 50/60Hz
Color Temp.	: 4000K
CRI	: > 80
IP	: IP66
Installation	: Ground mounting
Housing Colour	: RAL 7016

Technical Drawing



Photometric Data



Options

Emergency Kit : None
DALI Compatibility : Yes

Dimensions (mm)

∅	h
150	3000



TOWER Bollard



BOLLARD LIGHTING LED LUMINAIRE

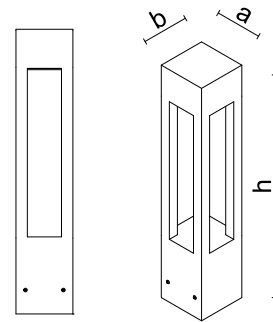


“Offering four-way light distribution with its square frame, Tower Bollard provides excellent lighting in terms of visual comfort in walking paths, gardens, modern and architectural structures with its special effect that it adds to the landscape lighting.”

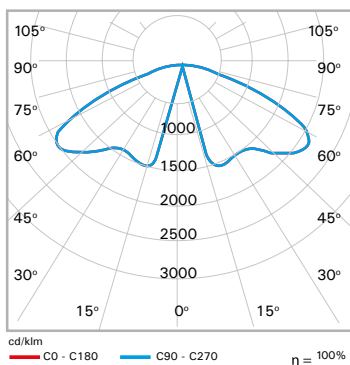
Technical Specifications

- Housing : Aluminium body (Chromate coated)
- Optical : 4mm Tempered Glass
- Light Source : COB LED
- Power : 15 W
- Lumen : 1378 lm
- Input Voltage : 220-240V AC 50/60Hz
- Color Temp. : 4000K
- CRI : > 80
- IP : IP66
- Installation : Ground mounting
- Housing Colour : RAL 7016

Technical Drawing



Photometric Data



Dimensions (mm)

a	b	h
150	150	750

Options

- Emergency Kit : None
- DALI Compatibility : Yes



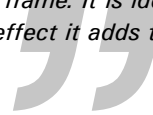
TOWER Column



COLUMNS LIGHTING LED LUMINAIRE



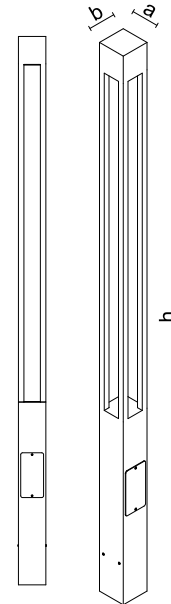
Offering an excellent lighting performance in terms of visual comfort, Tower Pillar offers four-way light distribution in landscaping spaces with its durable square frame. It is ideal for outdoor lighting such as gardens, walkways and grass with the special effect it adds to the modern architectural structures.



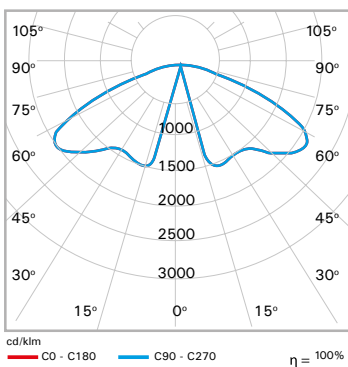
Technical Specifications

- Housing : Aluminium body (Chromate coated)
- Optical : 4mm Tempered Glass
- Light Source : COB LED
- Power : 20 W
- Lumen : 1820 lm
- Input Voltage : 220-240V AC 50/60Hz
- Color Temp. : 4000K
- CRI : > 80
- IP : IP66
- Installation : Ground mounting
- Housing Colour : RAL 7016

Technical Drawing



Photometric Data



Dimensions (mm)

a	b	h
150	150	3000

Options

- Emergency Kit : None
- DALI Compatibility : Yes



CARMELO Bollard



BOLLARD LIGHTING LED LUMINAIRE



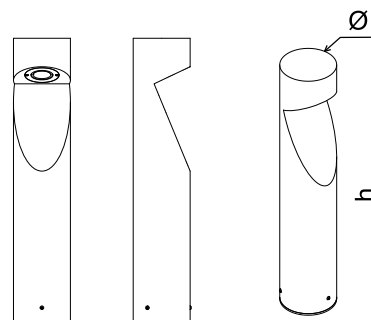
Offering a unique light distribution in areas such as walkways, gardens and grass which require landscape design, Carmelo Bollard provides an excellent lighting experience thanks to its forward light throw.



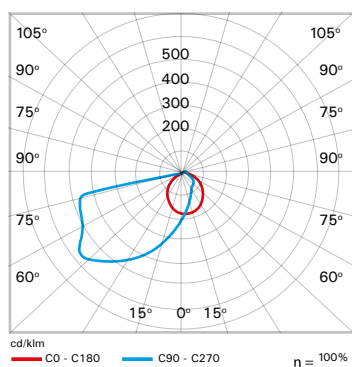
Technical Specifications

Housing	: Aluminium body (Chromate coated)
Optical	: 4mm Tempered Glass
Light Source	: COB LED
Power	: 15 W
Lumen	: 1378 lm
Input Voltage	: 220-240V AC 50/60Hz
Color Temp.	: 4000K
CRI	: > 80
IP	: IP66
Installation	: Ground mounting
Housing Colour	: RAL 7016

Technical Drawing



Photometric Data



Dimensions (mm)

a	b	h
150	150	750

Options

Emergency Kit : None
DALI Compatibility : Yes



CARMELO Column



COLUMNS LIGHTING LED LUMINAIRE



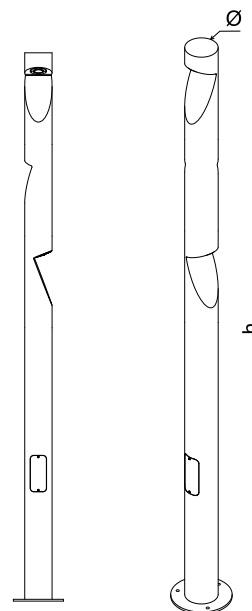
Standing out with its attractive design, Carmelo Pillar provides a unique light distribution in areas where landscaping design is used such as walkways, gardens and grass thanks to its forward light throw.



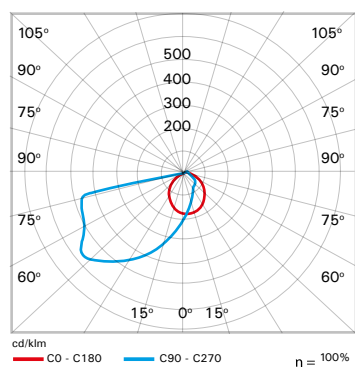
Technical Specifications

Housing	: Aluminium body (Chromate coated)
Optical	: 4mm Tempered Glass
Light Source	: COB LED
Power	: 3x15 W
Lumen	: 3x1378lm
Input Voltage	: 220-240V AC 50/60Hz
Color Temp.	: 4000K
CRI	: > 80
IP	: IP66
Installation	: Ground mounting
Housing Colour	: RAL 7016

Technical Drawing



Photometric Data



Dimensions (mm)

a	b	h
150	150	3000

Options

Emergency Kit : None
DALI Compatibility : Yes





BOLLARD LIGHTING LED LUMINAIRE



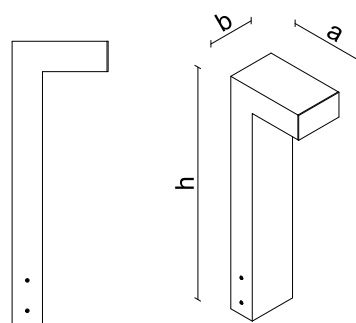
City Bollard, which can easily adapt to different architectural space designs, offers a reliable lighting experience for illumination of architectural spaces with its efficient LED technology and durable body structure.



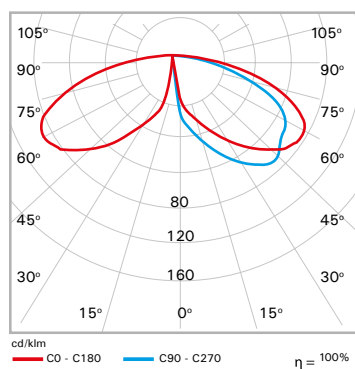
Technical Specifications

Housing	: Aluminium body (Chromate coated)
Optical	: 4mm Tempered Glass
Light Source	: COB LED
Power	: 15 W
Lumen	: 1378 lm
Input Voltage	: 220-240V AC 50/60Hz
Color Temp.	: 4000K
CRI	: > 80
IP	: IP66
Installation	: Ground mounting
Housing Colour	: RAL 7016

Technical Drawing



Photometric Data



Options

Emergency Kit : None
DALI Compatibility : Yes

Dimensions (mm)

a	b	h
150	80	750

COLUMNS LIGHTING LED LUMINAIRE



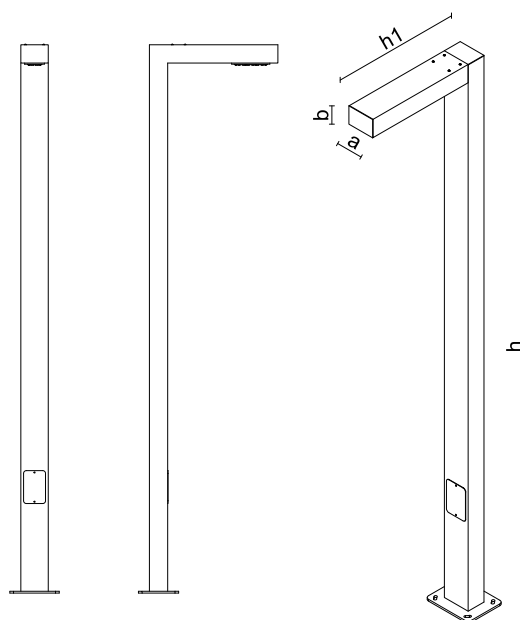
“Displaying maximum strength outdoors with its durable body structure, City Pillar is designed specially for landscaping areas. Integrating easily with the architectural area designs, this product ensures optimal lighting thanks to its efficient LED technology.”



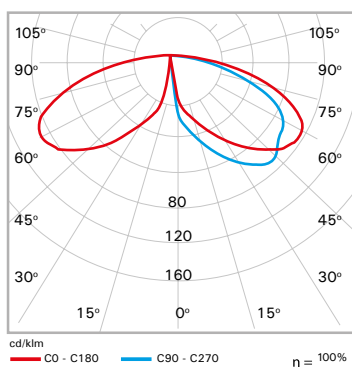
Technical Specifications

- Housing : Aluminium body (Chromate coated)
- Optical : Lens
- Light Source : SMD LED
- Consumption. : 28 W
- Lumen : 2548 lm
- Input Voltage : 220-240V AC 50/60Hz
- Color Temp. : 4000K
- CRI : > 80
- IP : IP66
- Installation : Ground mounting
- Housing Colour : RAL 7016

Technical Drawing



Photometric Data



Dimensions (mm)

a	b	h	h1
150	100	3000	1700

Options

- Emergency Kit : None
- DALI Compatibility : Yes

BRIDGE Bollard



BOLLARD LIGHTING LED LUMINAIRE

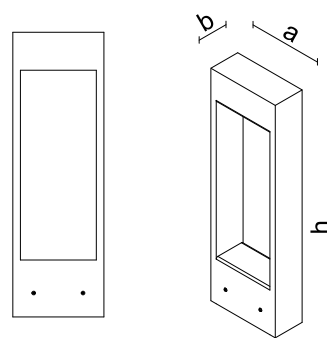


“Providing excellent performance in landscaping areas with its homogeneous light distribution, Bridge Bollard stands out in the illumination of different architectural structures with its rectangular frame and its pillars suitable for its frame.”

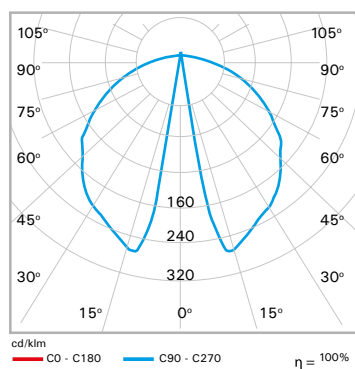
Technical Specifications

Housing	: Aluminium body (Chromate coated)
Optical	: 4mm Tempered Glass
Light Source	: COB LED
Power	: 15 W
Lumen	: 1378 lm
Input Voltage	: 220-240V AC 50/60Hz
Color Temp.	: 4000K
CRI	: > 80
IP	: IP66
Installation	: Ground mounting
Housing Colour	: RAL 7016

Technical Drawing



Photometric Data



Dimensions (mm)

a	b	h
240	100	750

Options

Emergency Kit : None
DALI Compatibility : Yes



BRIDGE Column



COLUMNS LIGHTING LED LUMINAIRE



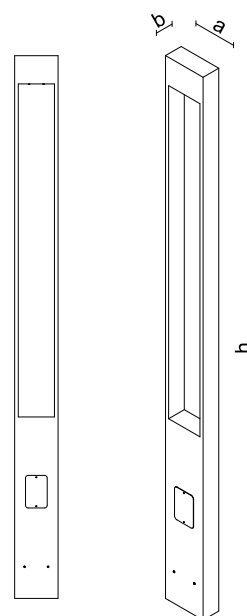
“Bringing the ambiance of landscaping areas to a different dimension with its rectangular frame and its pillars suitable for its frame, Bridge Pillar plays an impressive role in ambient lighting thanks to its homogeneous light distribution.”



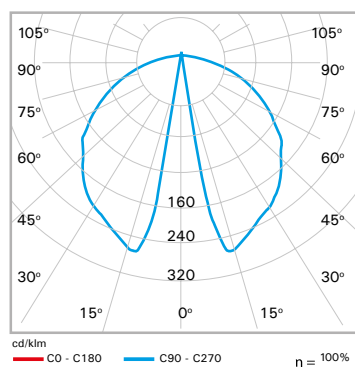
Technical Specifications

Housing	: Aluminium body (Chromate coated)
Optical	: 4mm Tempered Glass
Light Source	: COB LED
Power	: 20 W
Lumen	: 1820 lm
Input Voltage	: 220-240V AC 50/60Hz
Color Temp.	: 4000K
CRI	: > 80
IP	: IP66
Installation	: Ground mounting
Housing Colour	: RAL 7016

Technical Drawing



Photometric Data



Dimensions (mm)

a	b	h
240	100	3000

Options

Emergency Kit : None
DALI Compatibility : Yes





POLE-TOP LED LUMINAIRE

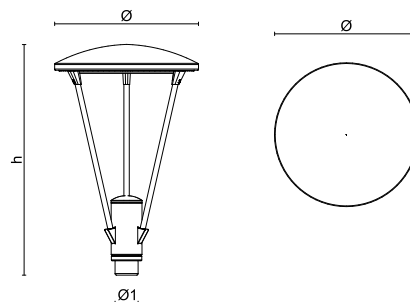


“PB2 PB V.2 is used for ambient lighting of landscaping and urban spaces with its three-spoke round body structure. Rounded body finish prevents collection of dust and dirt on the surface.”

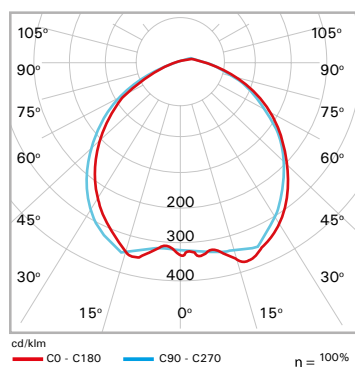
Technical Specifications

Housing	: Aluminium injection housing
Optical	: Opal diffuser
Light Source	: Mid Power LED
Power	: 40 W / 60 W
Lumen	: 4050 lm / 6255 lm
Input Voltage	: 220-240V AC 50/60Hz
Color Temp.	: 4000K
CRI	: > 80
IP	: IP65
Installation	: Ground mounting
Housing Colour	: SW 306G

Technical Drawing



Photometric Data



Dimensions (mm)

Ø	h	Ø1
470	895	76

Options

Emergency Kit : None
 DALI Compatibility : Yes
 Dimko: Yes







EMERGENCY EXIT LUMINAIRES



EMERGENCY EXIT LUMINAIRES



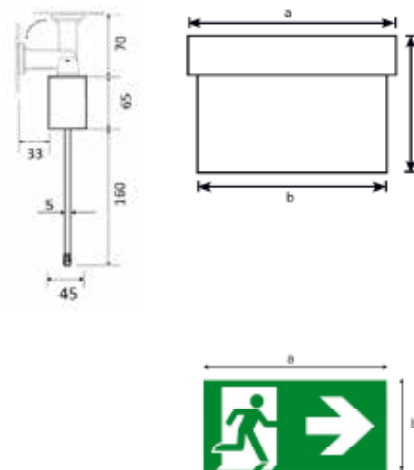
With its ergonomical structure that allows it to be used as a pendant, MINOLITE STD is an emergency exit orientation and emergency lighting luminaire. Thanks to its multi-functional structure, this product is used for emergency orientation in educational institutions, shopping malls, hotels and fire exits.



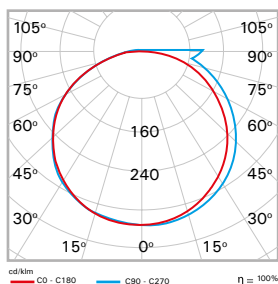
Technical Specifications

Housing	: White Polycarbonate Housing
Light Source	: Mid Power LED
Power	: 4 W
Lumen	: 237 lm
Input Voltage	: 220-240V AC 50/60Hz
Color Temp.	: 6500K
CRI	: > 70
IP	: IP40
Installation	: Surface Mounted
Operation Mode	: Maintained or Non-maintained mode

Technical Drawing



Photometric Data



Dimensions (mm)

Type	a	b	h
Standard	330	310	225
Flag	300	150	-



Options

Emergency Kit: Yes (1-3 hours)
Electronic Control: Self / Test, DALI

MINOLITE Pendant



EMERGENCY EXIT LUMINAIRES



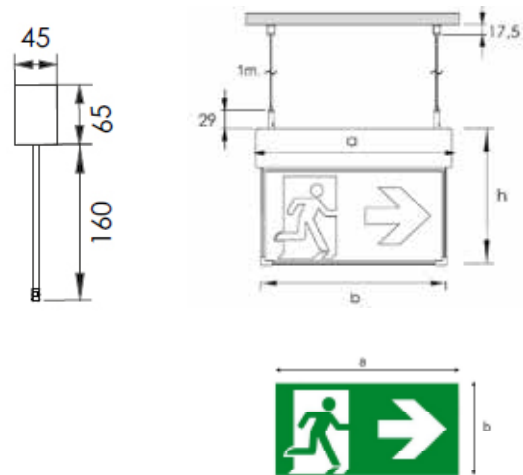
MINOLITE PENDANT offers a multi-functional and simple solution for emergency lighting and escape lighting. This product, which can be used as an emergency escape orientation luminaire, enables all kinds of ceiling applications with its installation accessories.



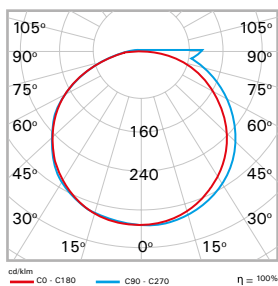
Technical Specifications

Housing	: White Polycarbonate Housing
Light Source	: Mid Power LED
Power	: 4 W
Lumen	: 237 lm
Input Voltage	: 220-240V AC 50/60Hz
Color Temp.	: 6500K
CRI	: > 70
IP	: IP40
Installation	: Pendant
Operation Mode	: Maintained or Non-maintained mode

Technical Drawing



Photometric Data



Dimensions (mm)

Type	a	b	h
Standard	330	310	225
Flag	266	125	-



Options

Emergency Kit: Yes (1-3 hours)
Electronic Control: Self / Test, DALI

MINOLITE Recessed Mounted



EMERGENCY EXIT LUMINAIRES

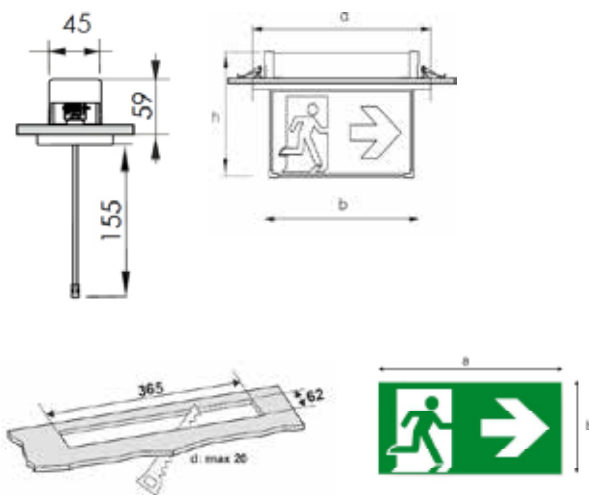


“MINOLITE Recessed MOUNTED offers a multi-functional and simple solution for emergency lighting and escape lighting. This product, which can be used as an emergency escape orientation luminaire, enables all kinds of ceiling applications with its installation accessories”

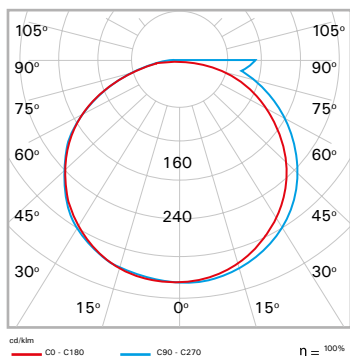
Technical Specifications

- Housing : White Polycarbonate Housing
- Light Source : Mid Power LED
- Power : 4 W
- Lumen : 237 lm
- Input Voltage : 220-240V AC 50/60Hz
- Color Temp. : 6500K
- CRI : > 70
- IP : IP40
- Installation : Recessed Mounted
- Operation Mode : Maintained or Non-maintained mode

Technical Drawing



Photometric Data



Dimensions (mm)

Type	a	b	h
Standard	334	310	225
Flag	300	150	-

Ceiling Cut Dimensions

365x62mm



Options

- Emergency Kit: Yes (1-3 hours)
- Electronic Control: Self / Test, DALI



EMERGENCY EXIT LUMINAIRES

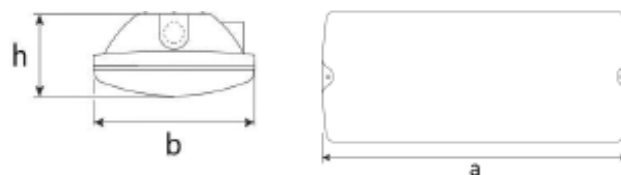


Compatible with all kinds of ceiling structures with its installation accessories, ELOTTI MAXI can be used for emergency conditions as stand-alone with its flagless version, and as an emergency escape orientation luminaire with its flagged version. Product provides perfect performance in emergency lighting and escape lighting.

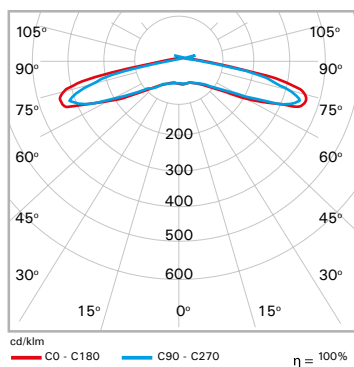
Technical Specifications

Housing	: White Polycarbonate Housing
Light Source	: Mid Power LED
Power	: 3W
Lumen	: 252 lm
Input Voltage	: 220-240V AC 50/60Hz
Color Temp.	: 6500K
CRI	: > 70
IP	: IP65
Installation	: Surface Mounted / Pendant
Operation Mode	: Maintained or Non-maintained mode

Technical Drawing



Photometric Data



Dimensions (mm)

Type	a	b	h
Standard	360	150	71



Options

- Emergency Kit: Yes (1-3 hours)
- Electronic Control: Self / Test, DALI



EMERGENCY EXIT LUMINAIRES

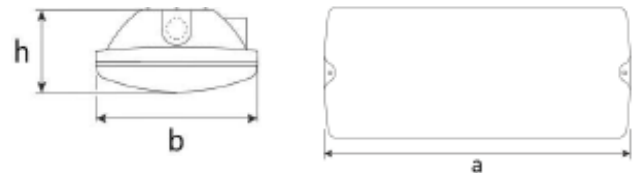


“ ELOTTI SLIM offers a multi-functional and simple solution for emergency lighting and escape lighting. It can be used for emergency conditions as stand-alone with its flagless version, and as an emergency escape orientation luminaire with its flagged version. This product allows all kinds of ceiling applications with its installation accessories. ”

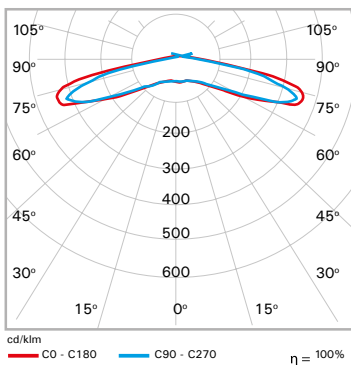
Technical Specifications

- Housing : White Polycarbonate Housing
- Light Source : Mid Power LED
- Power : 3W
- Lumen : 237 lm
- Input Voltage : 220-240V AC 50/60Hz
- Color Temp. : 6500K
- CRI : > 80
- IP : IP65
- Installation : Surface Mounted
- Operation Mode : Maintained, or non-maintained operation mode

Technical Drawing



Photometric Data



Dimensions (mm)

Type	a	b	h
Standard	285	130	71



Options

- Emergency Kit: Yes (1-3 hours)
- Electronic Control: Self / Test, DALI

EXT SLM DOUBLE-FACED DIRECTION PLATE

Flag	a	b	h
Flag	235	120	71





EMERGENCY EXIT LUMINAIRES



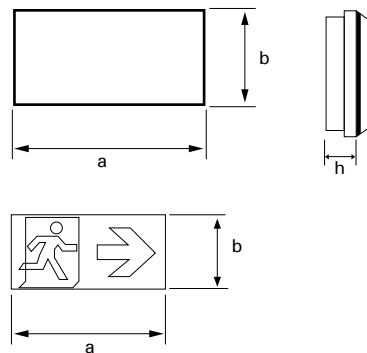
Allowing all kinds of ceiling applications, TORSECA can be used for emergency escape orientation with its flagged version, and as an emergency luminaire as stand-alone with its flagless version. Providing a simple solution for emergency orientation, this product is suitable for use in areas such as hospitals, educational institutions, cafeterias and hotels with its functional structure.



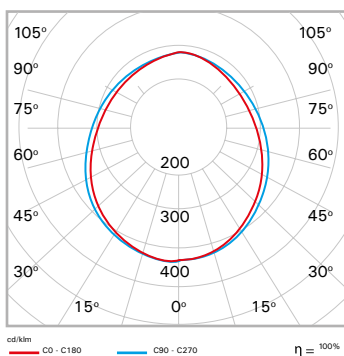
Technical Specifications

Housing	: ABS Housing
Light Source	: Mid Power LED
Power	: 2 W
Lumen	: 240 lm
Input Voltage	: 220-240V AC 50/60Hz
Color Temp.	: 6500K
CRI	: > 70
IP	: IP65
Installation	: Surface Mounted / Recessed Mounted / Pendant
Operation Mode	: Maintained, or non-maintained operation mode

Technical Drawing



Photometric Data



Dimensions (mm)

Type	a	b	h
Standard	266	144	41
Flag	248	124	

Ceiling Cut Dimensions

Recessed Mounting	253mm x 128mm
-------------------	---------------



Options

Emergency Kit: Yes (1-3 hours)
 Installation Options: Surface Mounted* / Recessed Mounted / Tray / Busbar**



PLEK Single Sided



EMERGENCY EXIT LUMINAIRES



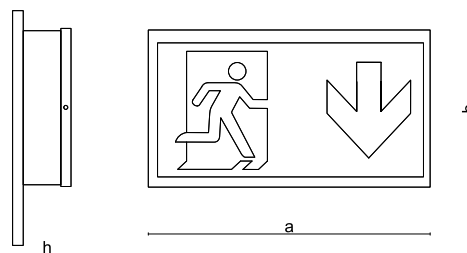
PLEK Single Sided offers a multi-functional and simple solution for emergency lighting and escape lighting. This product allows all kinds of ceiling applications with its installation accessories.



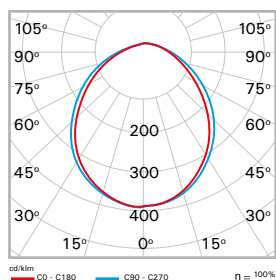
Technical Specifications

Housing	: Sheet steel casing
Door	: Opal Plexiglass
Light Source	: Mid Power LED
Power	: 3W
Lumen	: 68.8 lm
Input Voltage	: 220-240V AC 50/60Hz
Color Temp.	: 6500K
CRI	: > 70
IP	: IP40
Installation	: Surface Mounted
Operation Mode	: Maintained, or non-maintained operation mode

Technical Drawing



Photometric Data



Dimensions (mm)

Type	a	b	h
Standard	325	180	50
Flag	315	155	-



Options

Emergency Kit: Yes (1-3 hours)
 Electronic Control: Self / Test, DALI

PLEK Double Sided



EMERGENCY EXIT LUMINAIRES



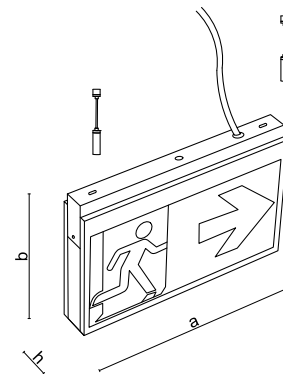
With an elegant design which conforms with the standards, PLEK Double Sided allows for all kinds of ceiling applications with its installation accessories. It is suitable for in areas such as fire exits, offices, restaurants, shopping malls and educational institutions that require an emergency and escape lighting.



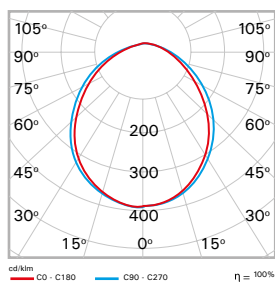
Technical Specifications

Housing	: Sheet steel casing
Door	: Opal Plexiglass
Light Source	: Mid Power LED
Power	: 3W
Lumen	: 68.8 lm
Input Voltage	: 220-240V AC 50/60Hz
Color Temp.	: 6500K
CRI	: > 70
IP	: IP40
Installation	: Surface Mounted Pendant
Operation Mode	: Maintained, or non-maintained operation mode

Technical Drawing



Photometric Data



Dimensions (mm)

Type	a	b	h
Standard	325	220	55
Flag	315	155	-



Options

Emergency Kit: Yes (1-3 hours)
Electronic Control: Self / Test, DALI



EMERGENCY EXIT LUMINAIRES

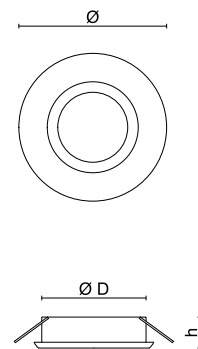


“WALD, which offers a high efficiency LED and easy control for the user, can be used for emergency and escape lighting in many different areas such as stores, offices, hospitals, shopping malls, halls and meeting rooms.”

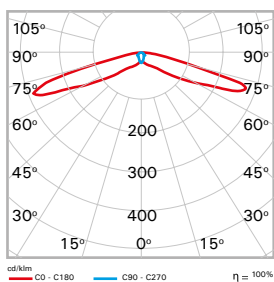
Technical Specifications

- Housing : White Polycarbonate Housing
- Light Source : Power LED
- Power : 2W
- Lumen : 150 lm
- Input Voltage : 220-240V AC 50/60Hz
- Color Temp. : 6500K
- CRI : > 80
- IP : IP30
- Installation : Recessed mounted
- Operation Mode : In case of Power Outage

Technical Drawing



Photometric Data



Dimensions (mm)

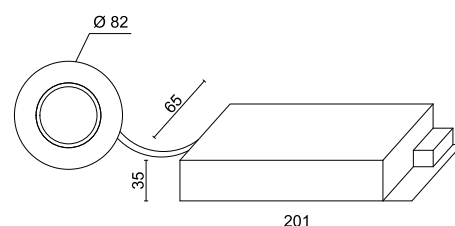
Type	Ø	h
Standard	82	22

Ceiling Cut Dimensions

Ø1	72
----	----

Options

- Emergency Kit: Yes (1-3 hours)
- Electronic Control: Self / Test, DALI





EMERGENCY EXIT LUMINAIRES



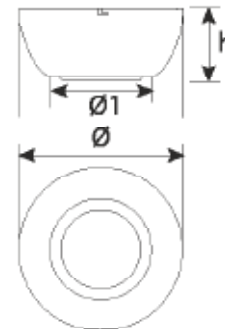
STLOE -YV offers a multi-functional and simple solution for emergency lighting and escape lighting.



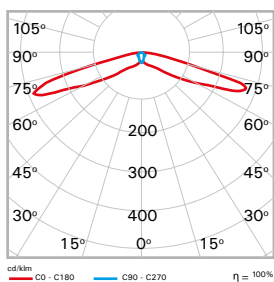
Technical Specifications

Housing	: White Polycarbonate Housing
Light Source	: Power LED
Power	: 2 W
Lumen	: 150 lm
Input Voltage	: 220-240V AC 50/60Hz
Color Temp.	: 6500K
CRI	: > 80
IP	: IP30
Installation	: Surface Mounted
Operation Mode	: In case of Power Outage

Technical Drawing



Photometric Data



Dimensions (mm)

Standard	Ø	Ø1	h
	140	90	75

Options

Electronic Control : Self / Test, DALI
 Installation Options: Surface Mounted

ARIOSTE Emergency Lighting



EMERGENCY EXIT LUMINAIRES



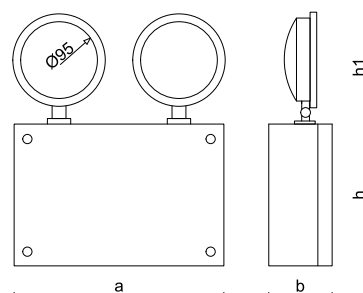
ARIOSTE offers a multi-functional and simple solution for emergency lighting and escape lighting.



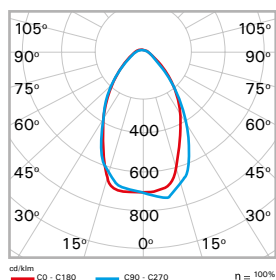
Technical Specifications

Housing	: Thermoplastic Housing
Light Source	: Mid Power LED
Power	: 5.5W
Lumen	: 2x750 lm
Input Voltage	: 220-240V AC 50/60Hz
Color Temp.	: 6500K
CRI	: > 80
IP	: IP65
Installation	: Recessed mounted
Operation Mode	: Non-maintained mode

Technical Drawing



Photometric Data



Dimensions (mm)

Type	a	b	h	h1
Standard	255	98	200	150

Options

Emergency Kit: Yes (1-3 hours)
Electronic Control: Self / Test, DALI

PONDA Emergency Lighting



EMERGENCY EXIT LUMINAIRES



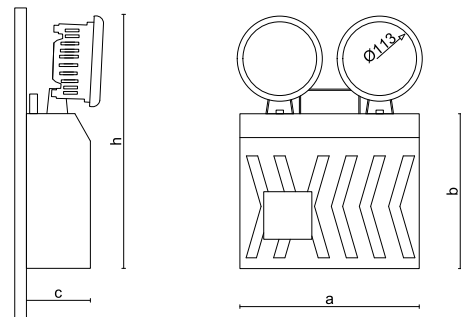
With its square shaped and durable body, EMERGENCY LIGHTING PONDA is suitable for surface mounting. Providing high efficiency for emergency areas, this product meets the lighting requirements of different projects at the maximum level.



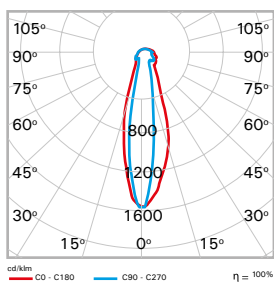
Technical Specifications

Housing	: Iron sheet housing with electrostatic paint
Light Source	: Mid Power LED
Power	: 2 X 9 W
	: 2 X 830 lm
Input Voltage	: 220-240V AC 50/60Hz
Color Temp.	: 6500K
CRI	: > 80
IP	: IP40
Installation	: Surface Mounted
Operation Mode	: Non-maintained mode

Technical Drawing



Photometric Data



Dimensions (mm)

Standard	a	b	c	h
	215	190	90	330

Options

Emergency Kit: Yes (1-3 hours)
 Electronic Control : Self / Test, DALI

ARCHITECTURAL SOLUTIONS

EAE has the right to make any appropriate changes it deems necessary without prior notice.
Please Contact to obtain more information on the products and details included in the catalog.

Technical specifications have a tolerance of $\pm 5\%$.

Please visit our website in the following address for the latest information.
www.eaeaydinlatma.com



EAE Lighting Inc.
Ikitelli Organize Sanayi Bolgesi
Eski Turgut Ozal Caddesi No:20
Basaksehir / ISTANBUL - TURKEY
Tel : +90 212 413 21 00 (pbx)
Fax : +90 212 549 37 90
www.eaelighting.com



engineering the light